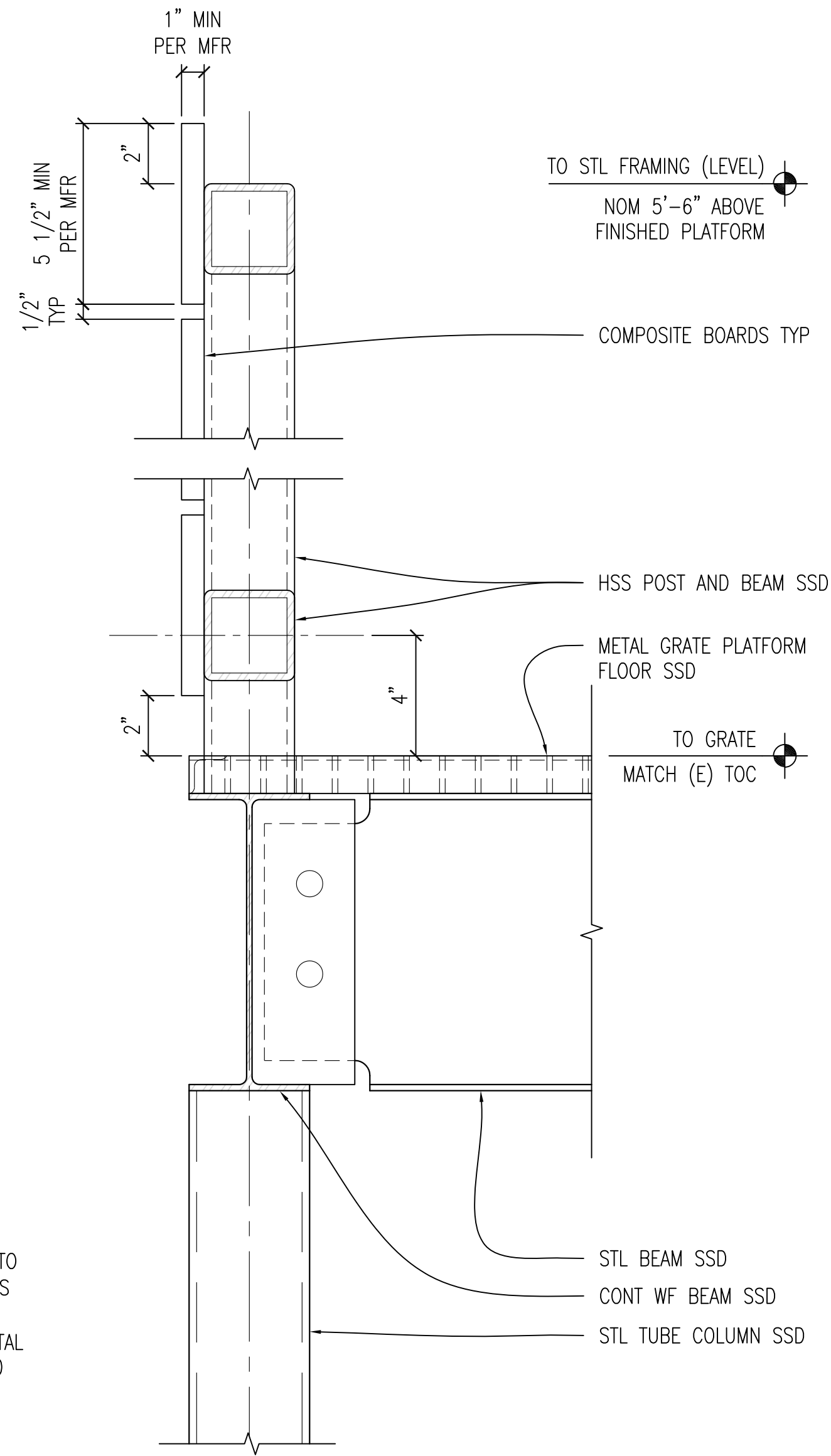
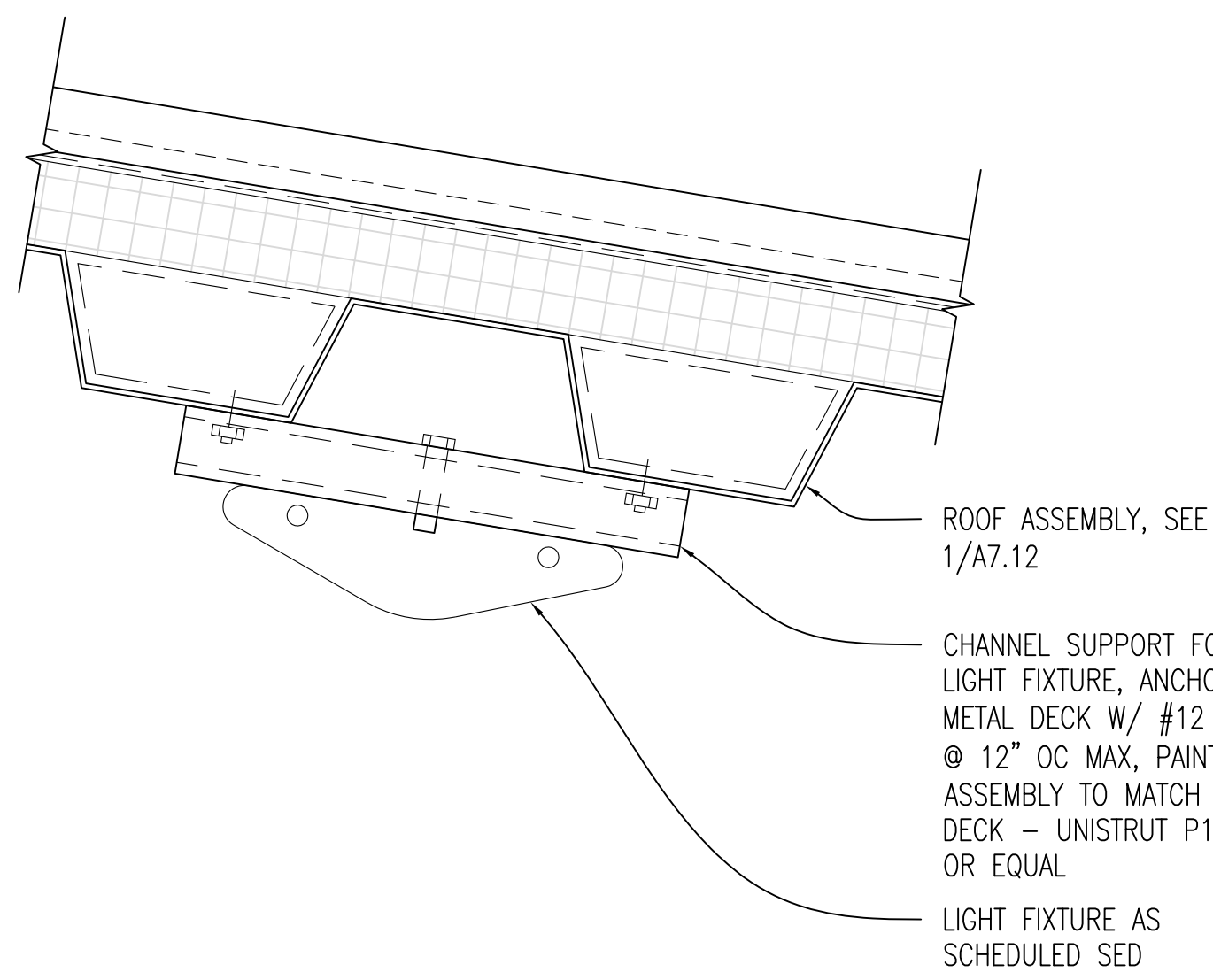


SHEET NOTES

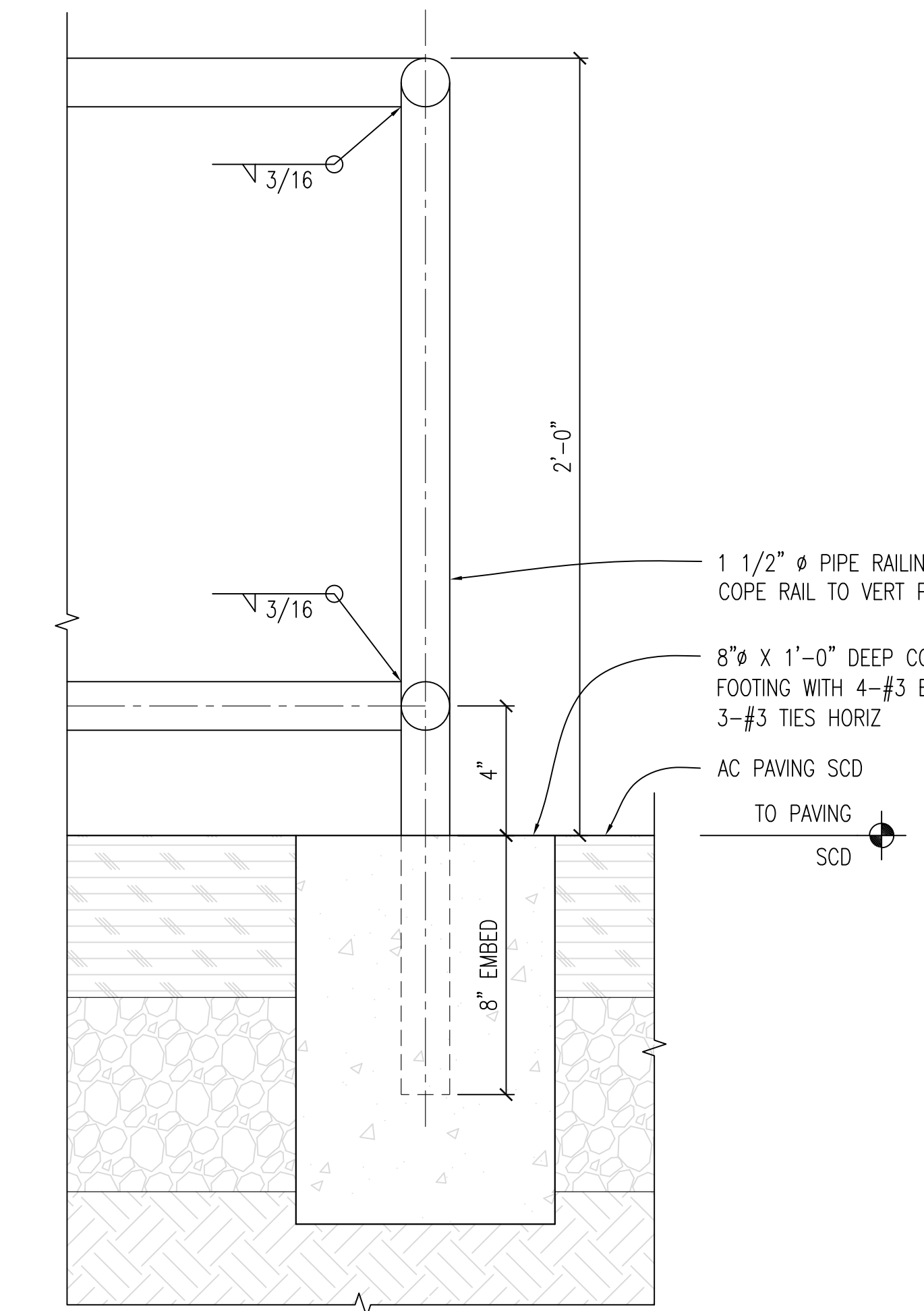
- ALL EXPOSED STEEL INCLUDING RAILINGS, WITH THE EXCEPTION OF GRATING, TO BE GALV AND PAINTED.
- SEE A3.21 FOR TYPICAL ATTACHMENT OF COMPOSITE BOARDS.



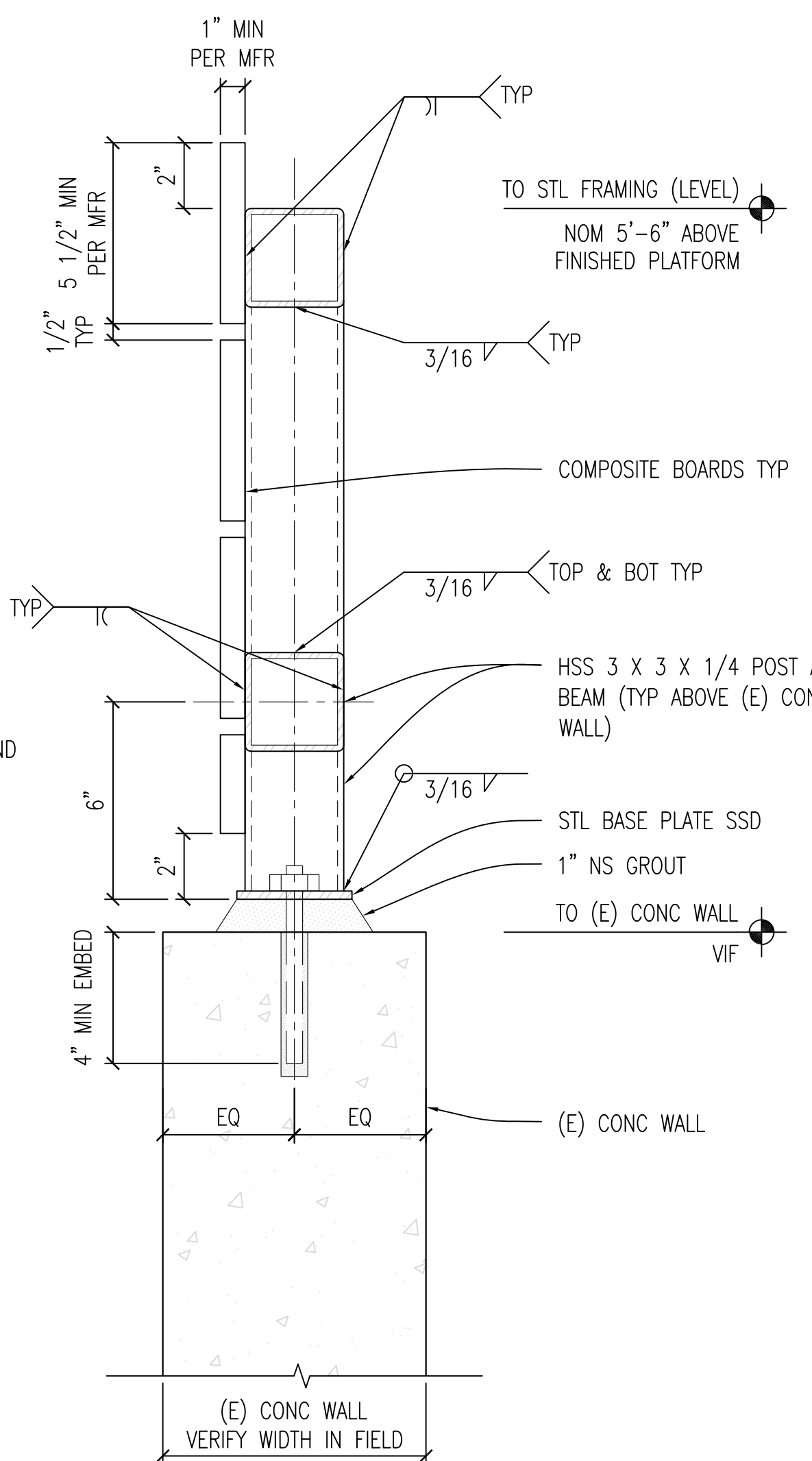
7 SCREEN DETAIL AT PLATFORM
3" = 1'-0"



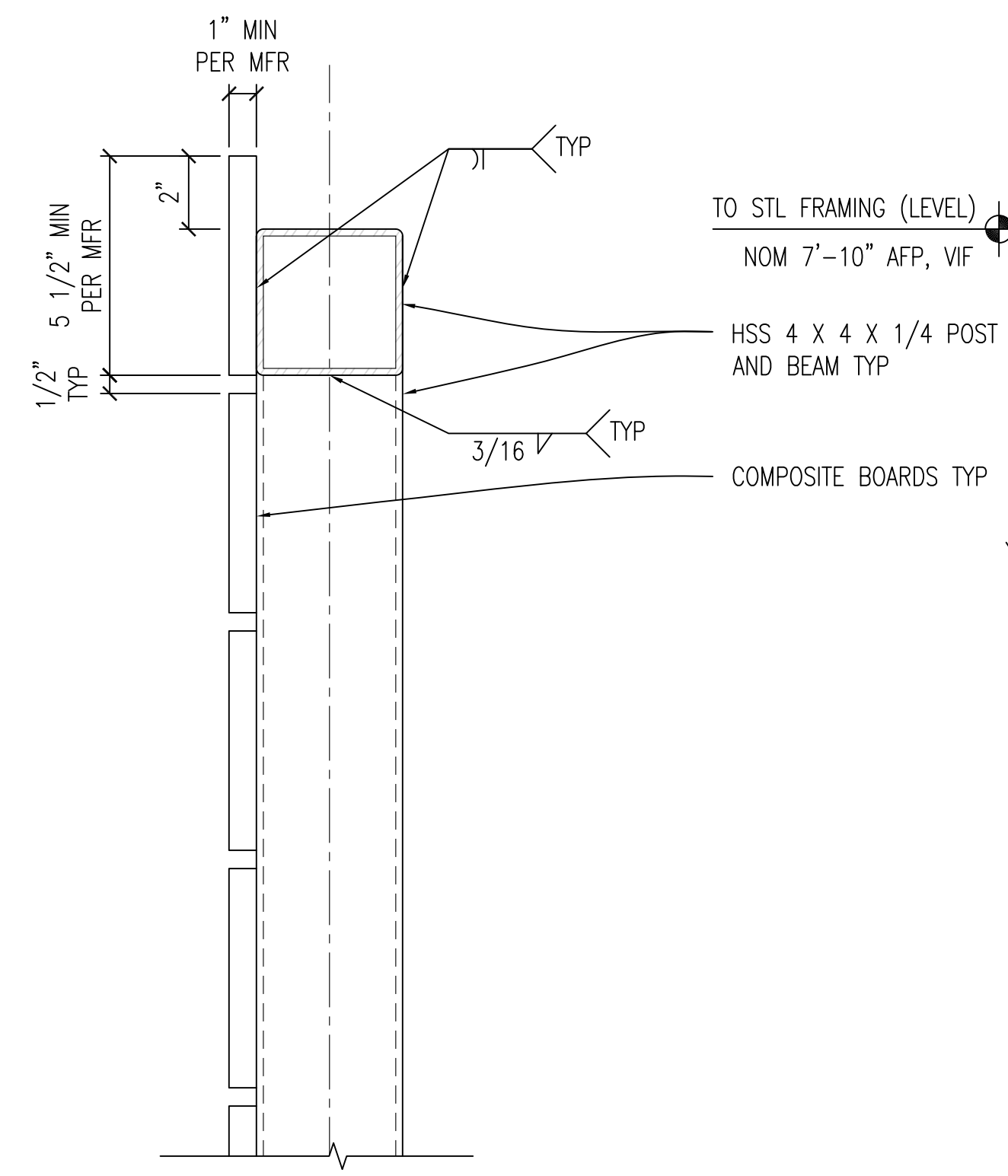
10 LIGHT FIXTURE ATTACHMENT DETAIL
3" = 1'-0"



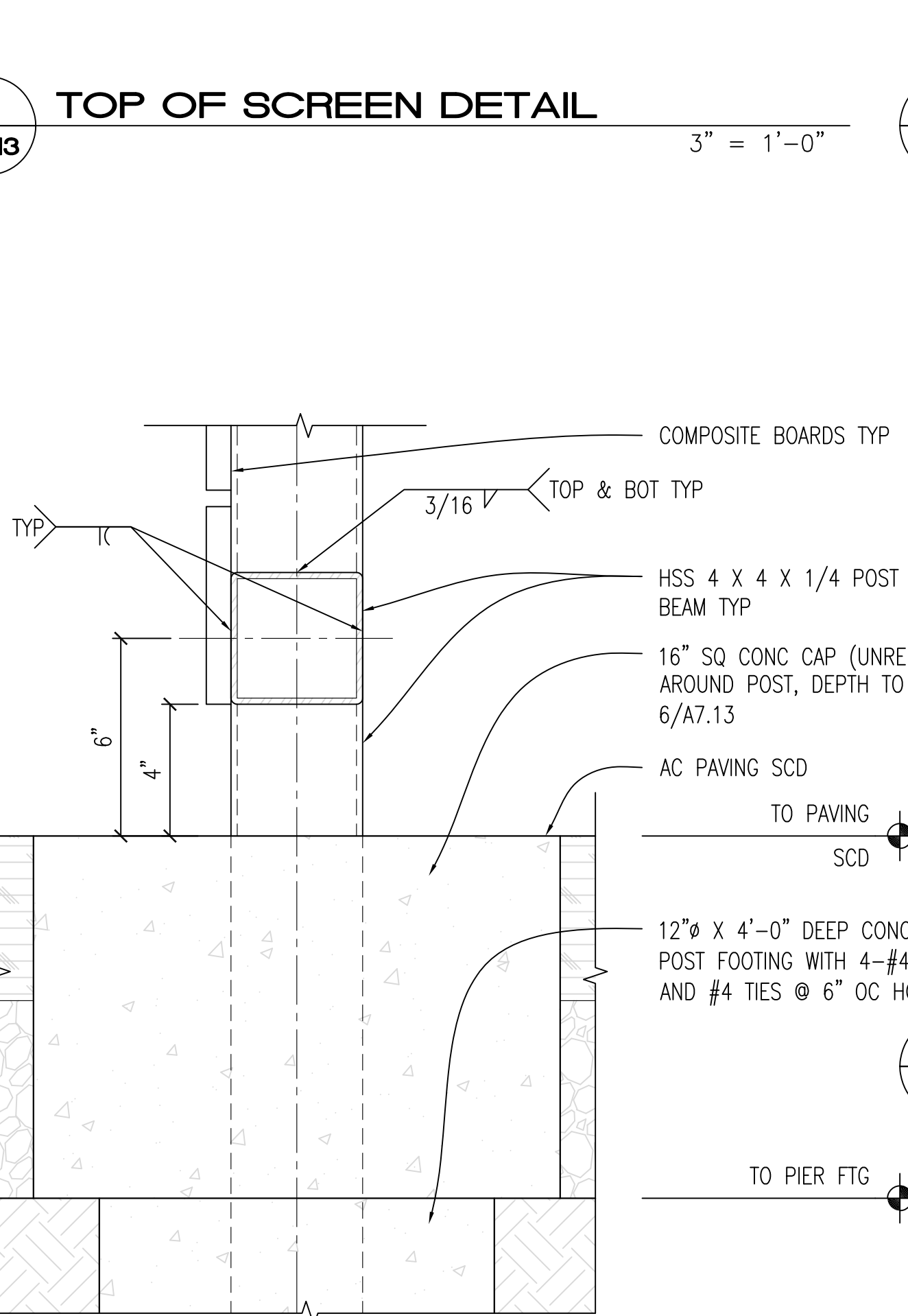
11 RAIL DETAIL AT GRADE BELOW STAIR
3" = 1'-0"



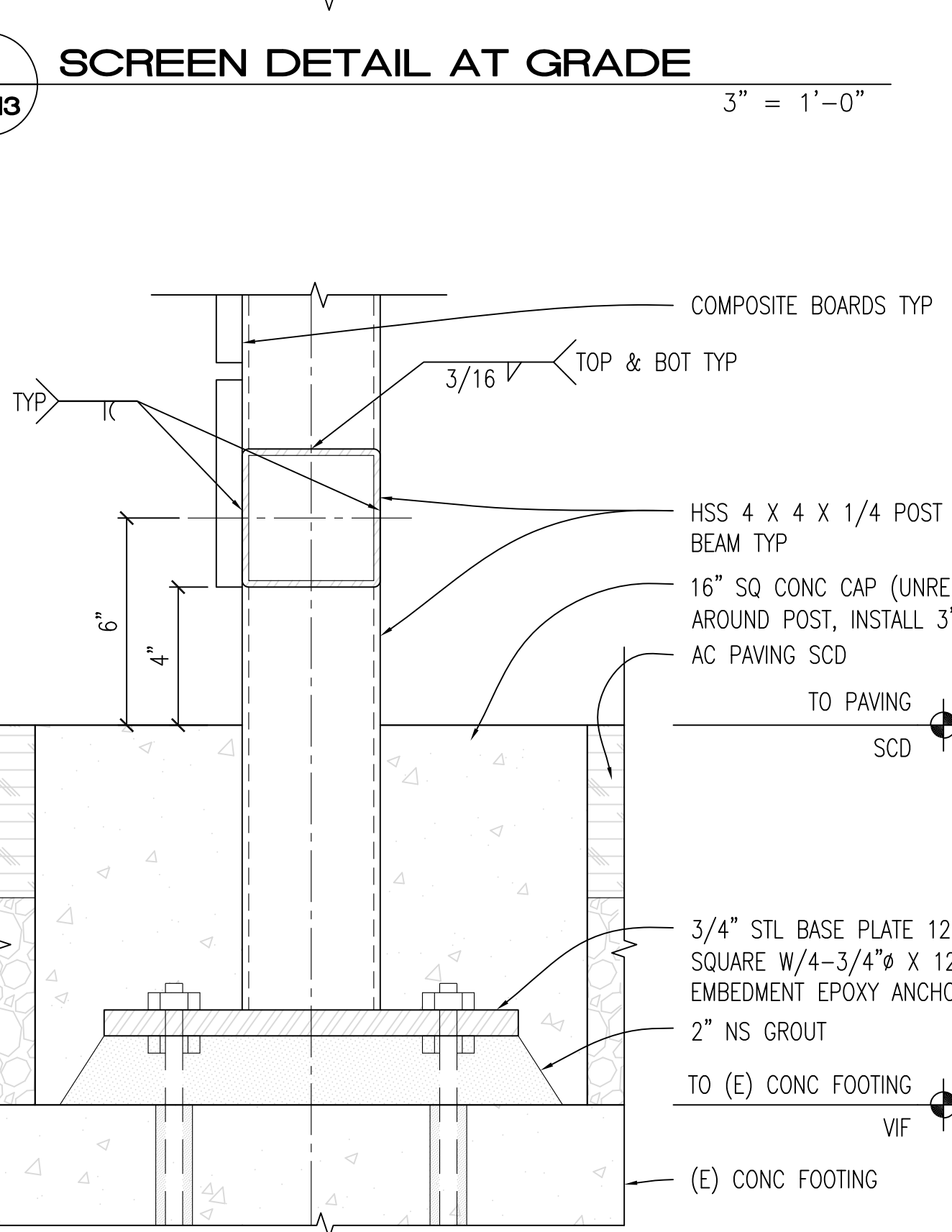
8 SCREEN DETAIL AT EXISTING WALL
3" = 1'-0"



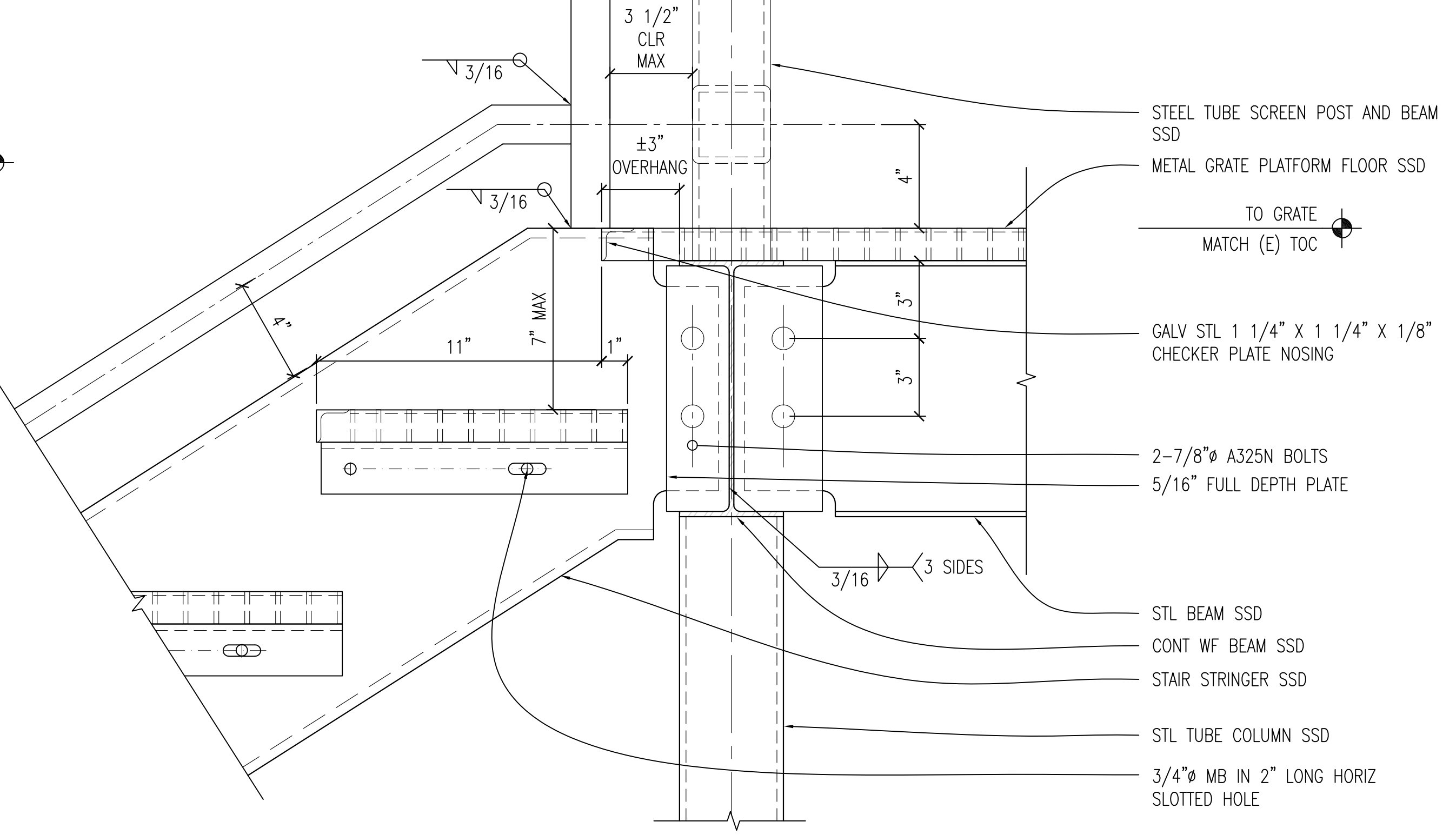
4 TOP OF SCREEN DETAIL
3" = 1'-0"



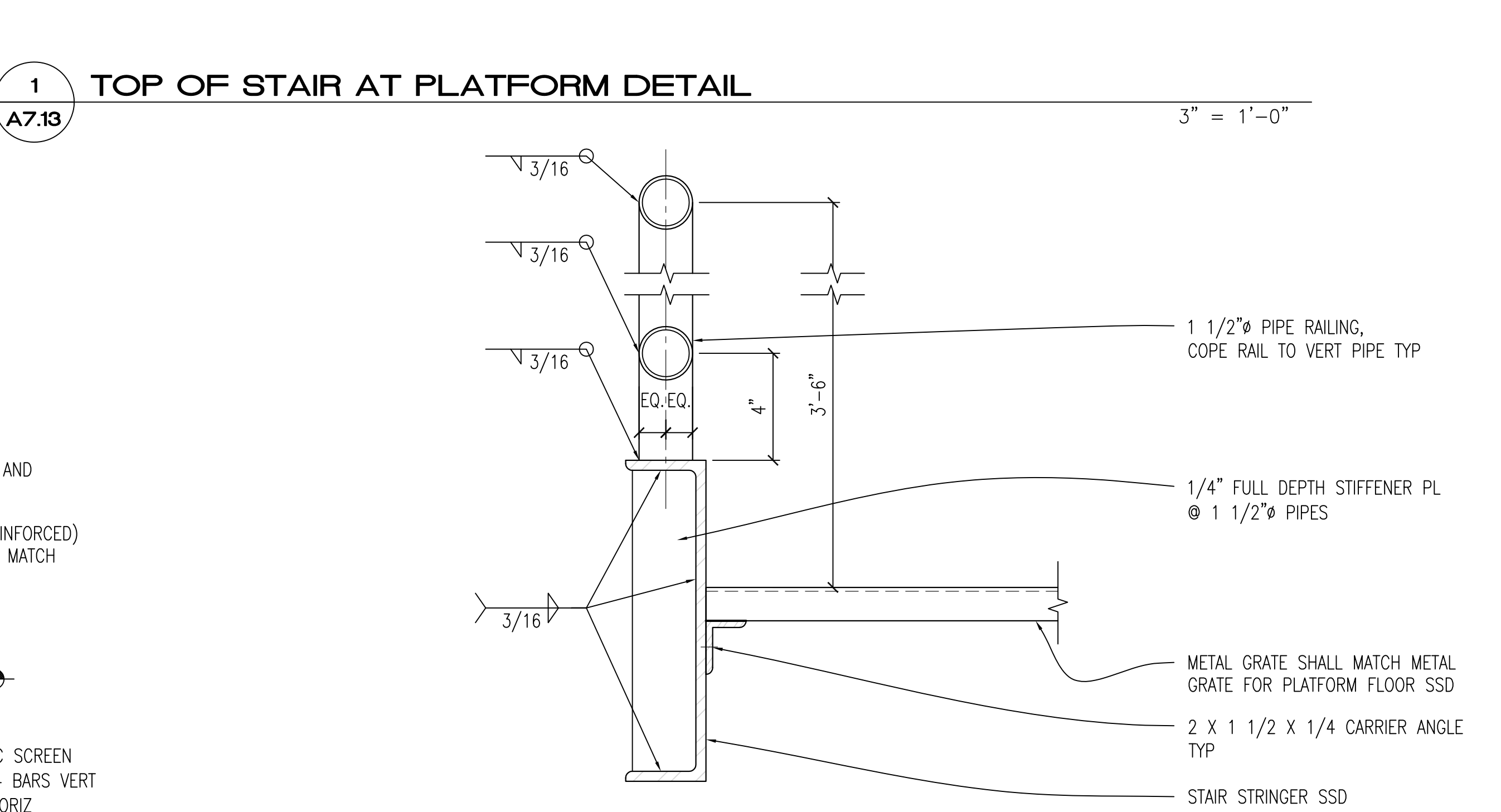
5 SCREEN DETAIL AT GRADE
3" = 1'-0"



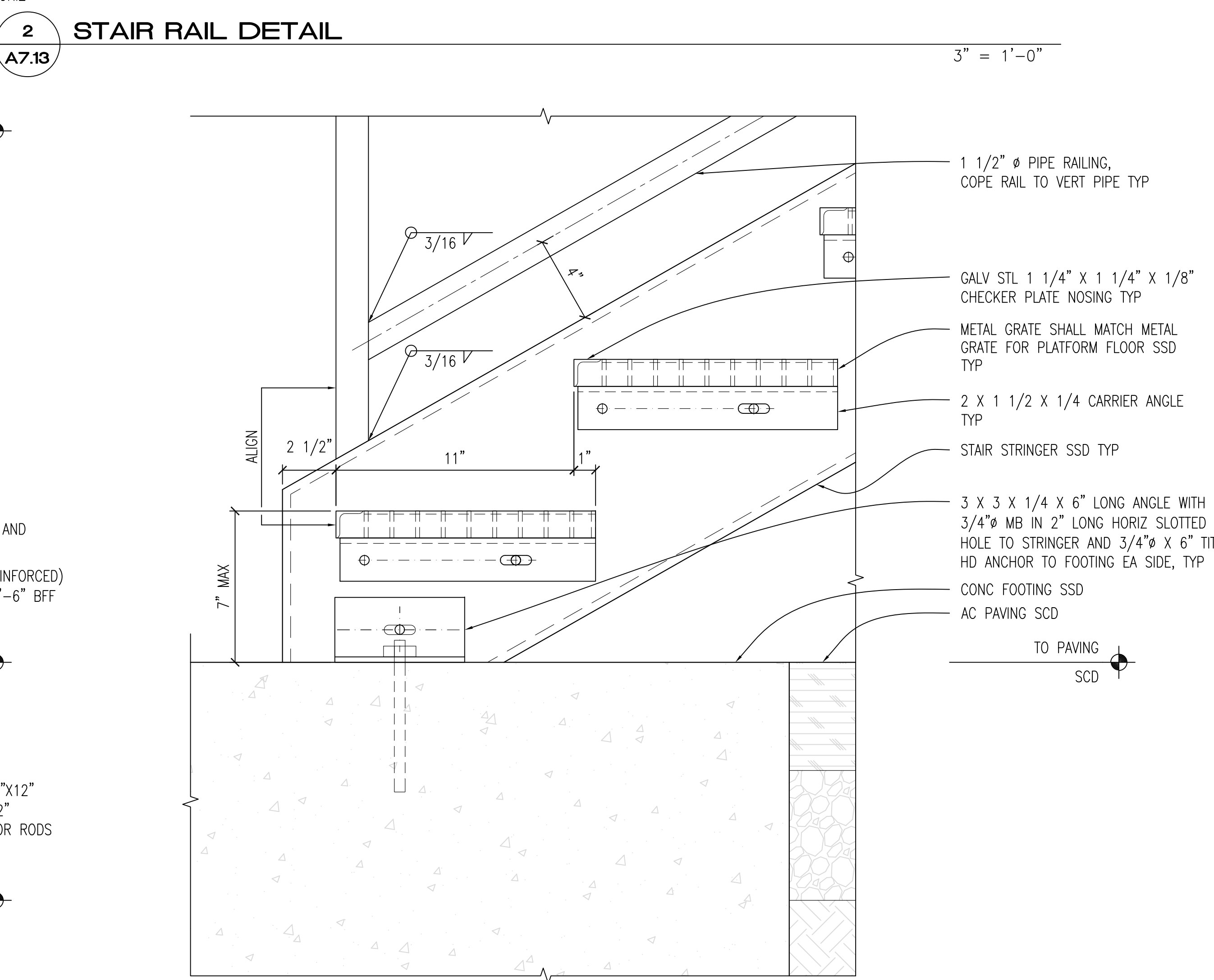
6 SCREEN DETAIL AT EXISTING FOOTING
3" = 1'-0"



1 TOP OF STAIR AT PLATFORM DETAIL
3" = 1'-0"



2 STAIR RAIL DETAIL
3" = 1'-0"



3 STAIR DETAIL AT GRADE
3" = 1'-0"

| REVISIONS | | |
|-----------|------|-------------|
| NO. | DATE | DESCRIPTION |
| | | |
| | | |
| | | |

| | |
|---------|--------------|
| DATE | July 9, 2012 |
| DRAWN | TC/AL |
| CHECKED | MM |
| SCALE | AS NOTED |
| JOB NO. | 2921.01 |