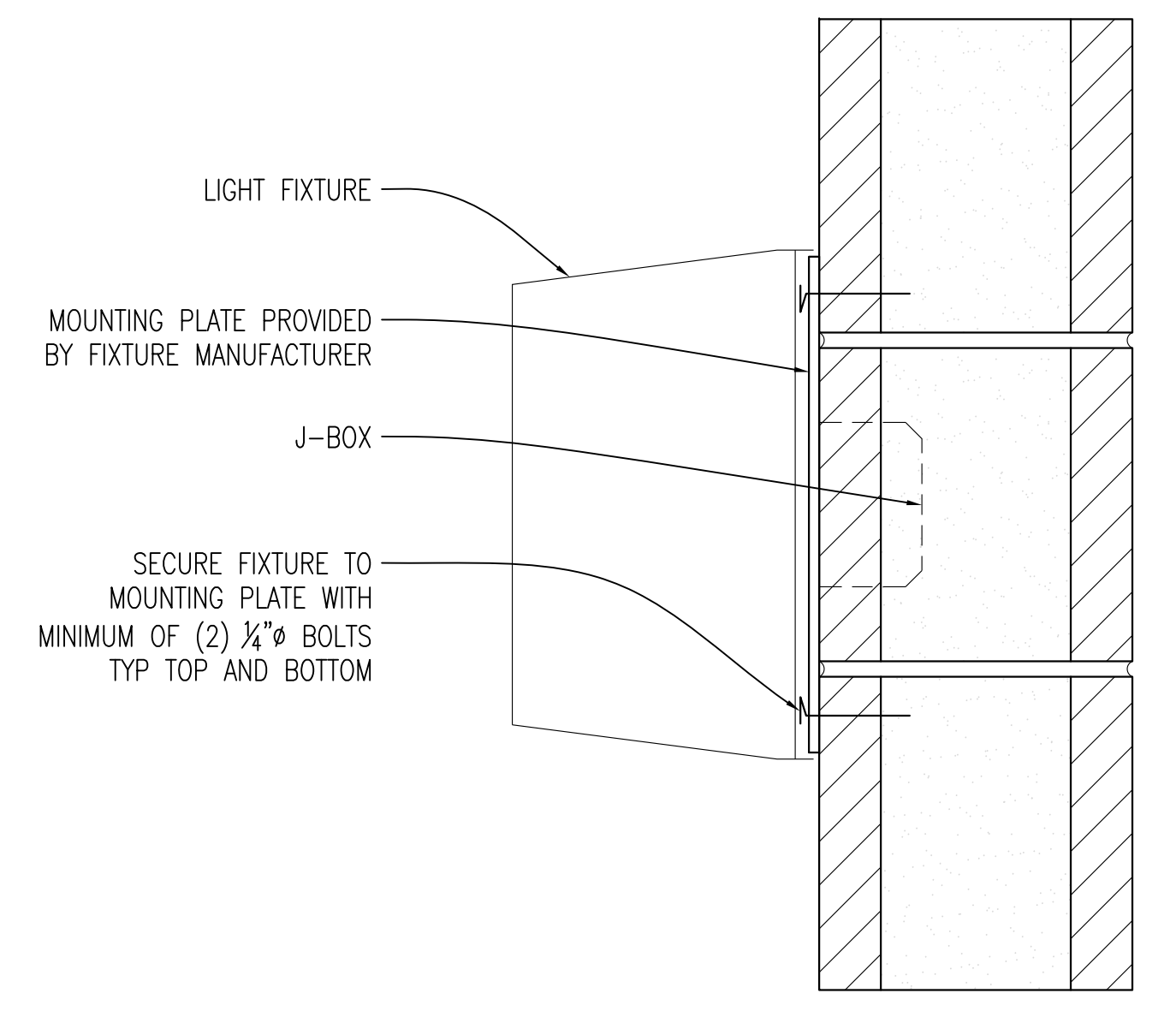
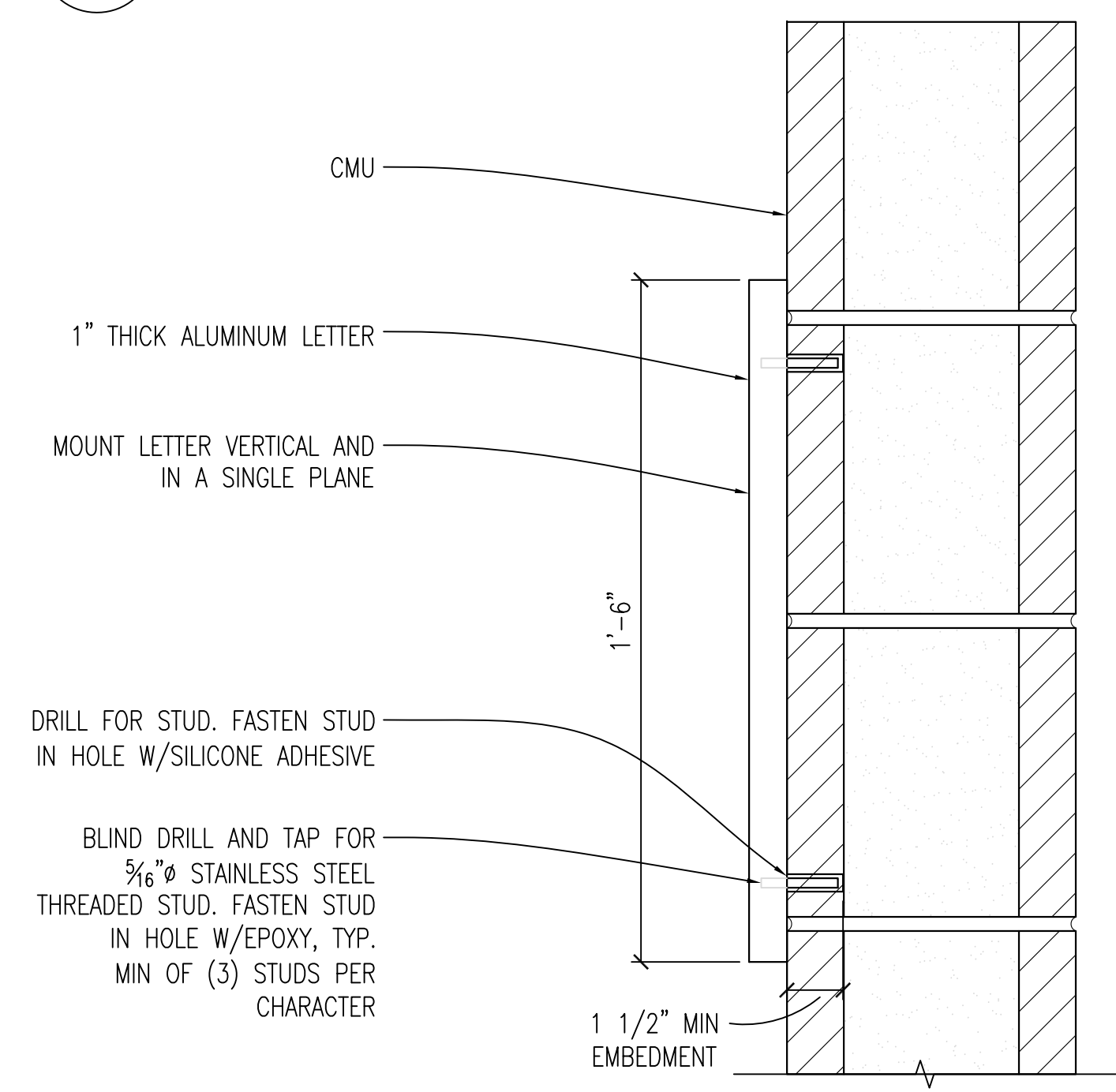


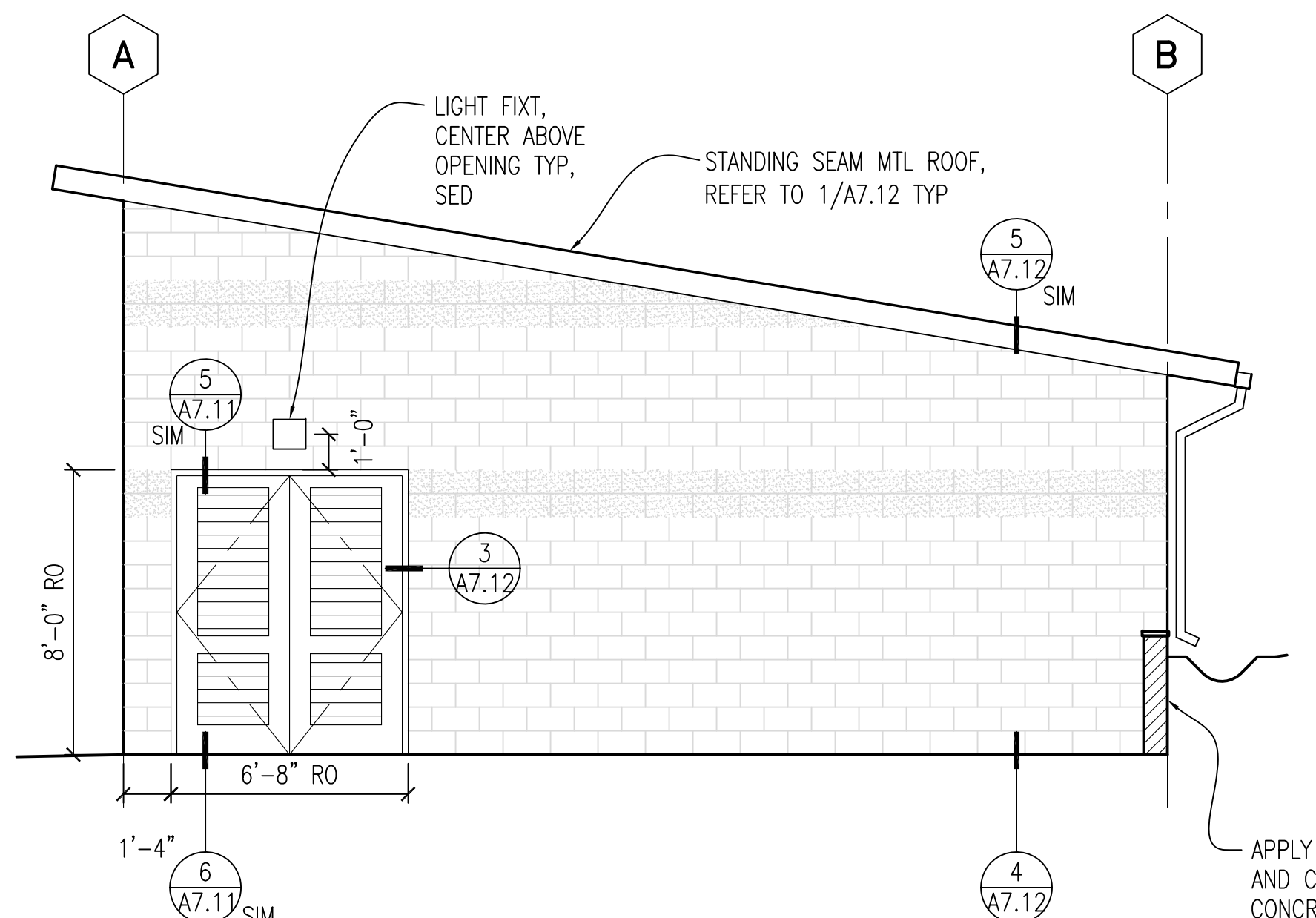
**1 BLDG 30 - SECTION**  
 A3.11 1/4" = 1'-0"



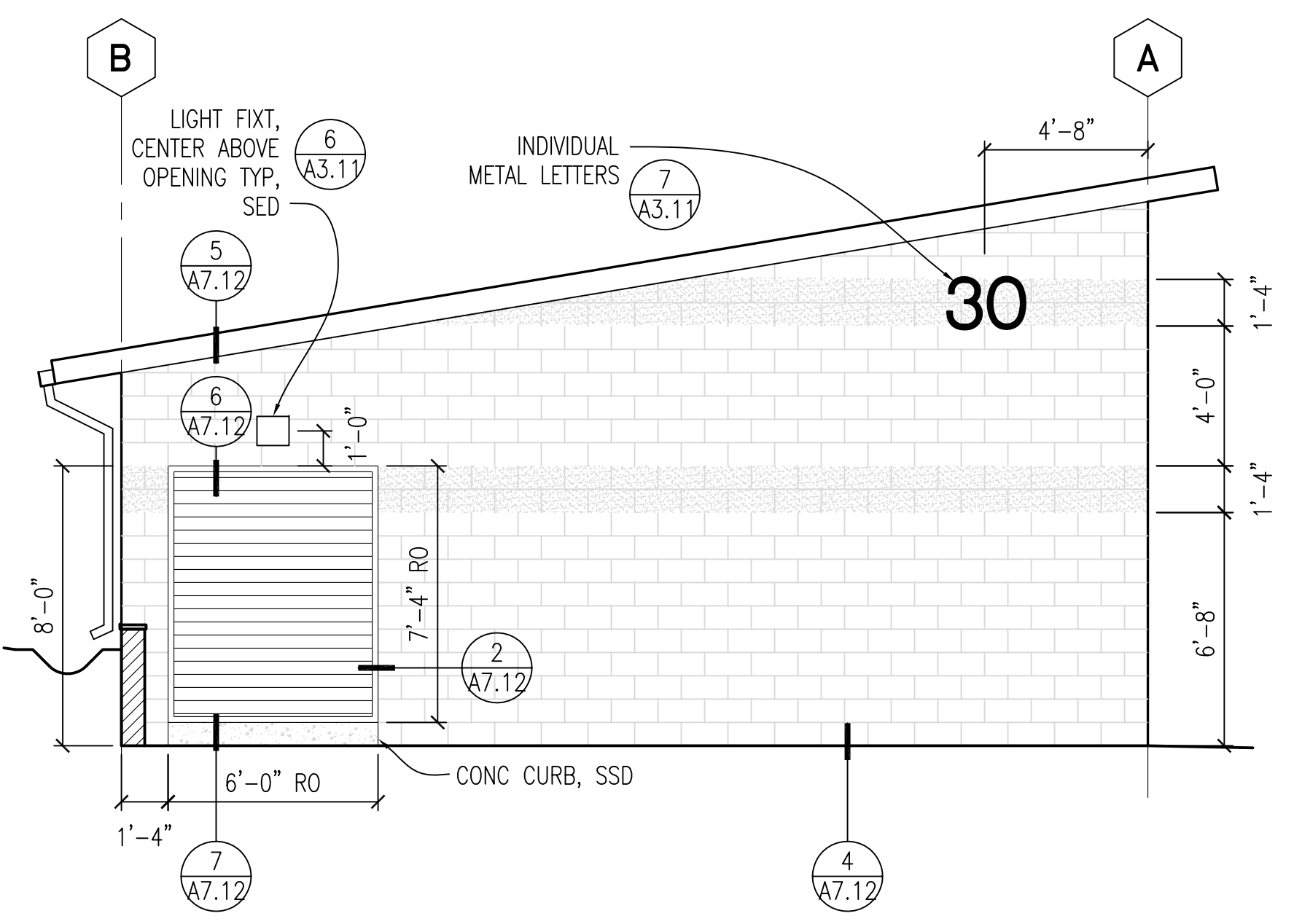
**6 LIGHT FIXTURE MOUNTING DETAIL**  
 A3.11 1/4" = 1'-0"



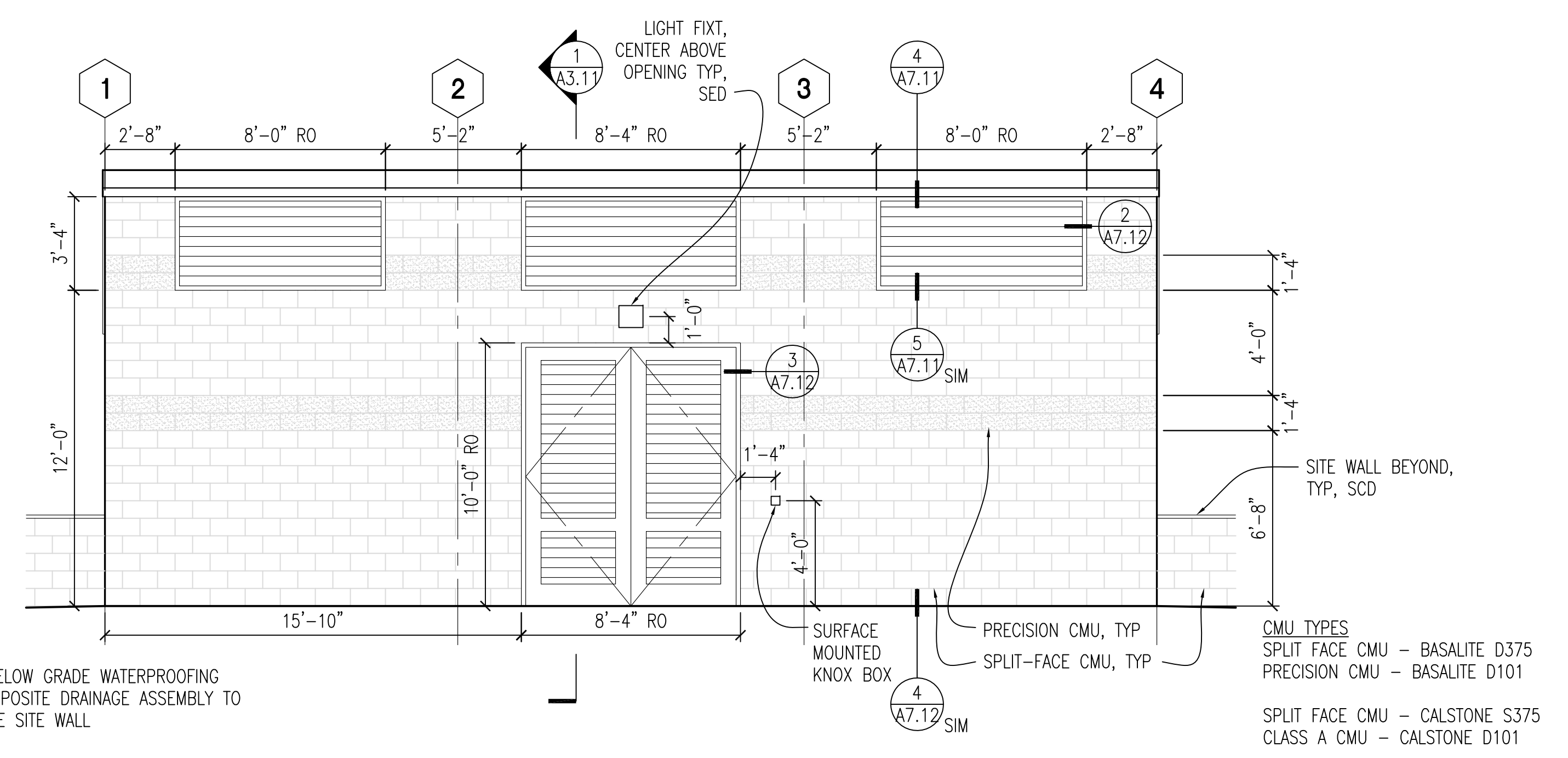
**7 METAL LETTER MOUNTING DETAIL**  
 A3.11 1/4" = 1'-0"



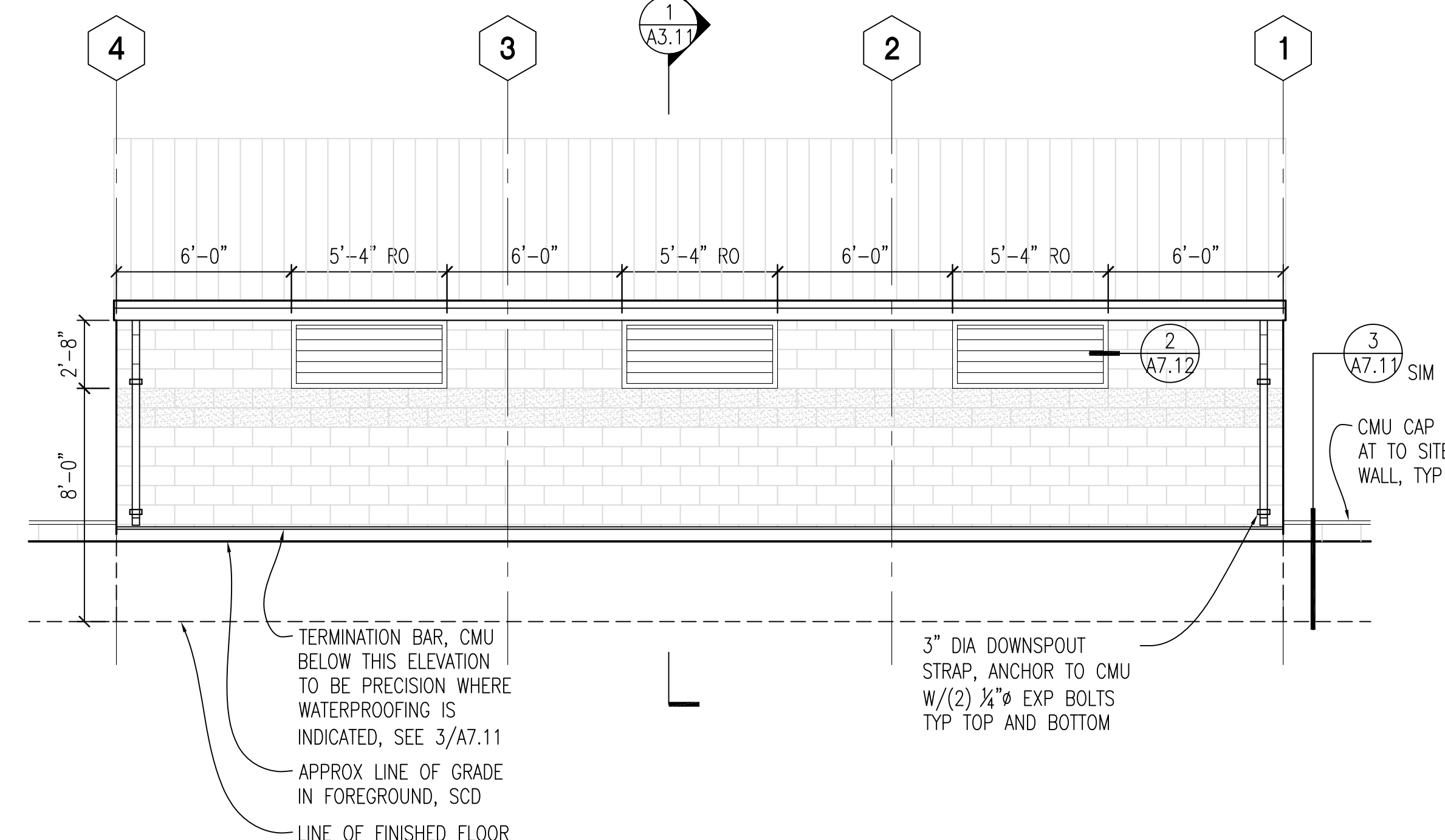
**3 BLDG 30 - WEST ELEV**  
 A3.11 1/4" = 1'-0"



**5 BLDG 30 - EAST ELEV**  
 A3.11 1/4" = 1'-0"



**2 BLDG 30 - NORTH ELEV**  
 A3.11 1/4" = 1'-0"



**4 BLDG 30 - SOUTH ELEV**  
 A3.11 1/4" = 1'-0"

IDENTIFICATION STAMP  
 DIVISION OF THE STATE ARCHITECT  
 APPLICATION NUMBER 01-111618  
 AC \_\_\_\_\_ RLS \_\_\_\_\_ 05 \_\_\_\_\_  
 DATE \_\_\_\_\_  
 CALIFORNIA STATE FIRE MARSHAL  
 APPROVED  
APPROVAL OF THIS PLAN DOES NOT AUTHORIZE OR APPROVE ANY  
 CONSTRUCTION OR DEVIATION FROM APPLICABLE REGULATIONS. FINAL  
 APPROVAL IS SUBJECT TO REGISTRATION. ONE SET OF APPROVED  
 PLANS SHALL BE AVAILABLE ON THE PROJECT SITE AT ALL TIMES.  
 REVIEWED BY: \_\_\_\_\_ DATE: \_\_\_\_\_

**CAÑADA COLLEGE**  
 Electrical Infrastructure Replacement Project  
 4200 Farm Hill Blvd  
 Redwood City, CA 94061

REGISTERED ARCHITECT  
 CHRISTOPHER NOLL  
 REN. 12/31/11  
 C15916  
 STATE OF CALIFORNIA

RECORD DRAWING

SHEET TITLE  
**Bldg 30-  
 Section, Ext Elevs**

REVISIONS		
NO.	DATE	DESCRIPTION

DATE July 9, 2012  
 DRAWN TC/AL  
 CHECKED MM  
 SCALE 1/4" = 1'-0"  
 JOB NO. 2921.01

SHEET NUMBER  
**A3.11**