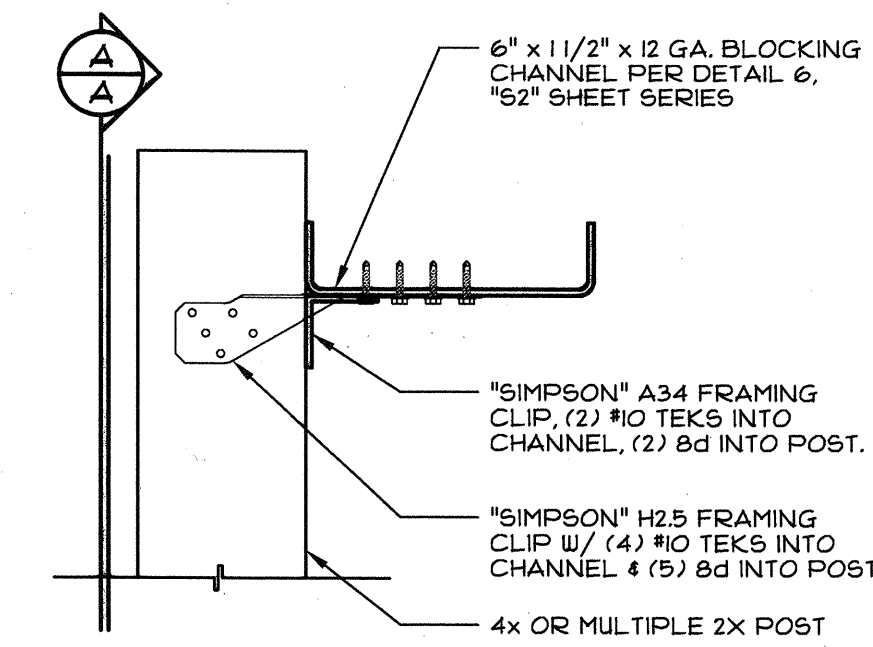
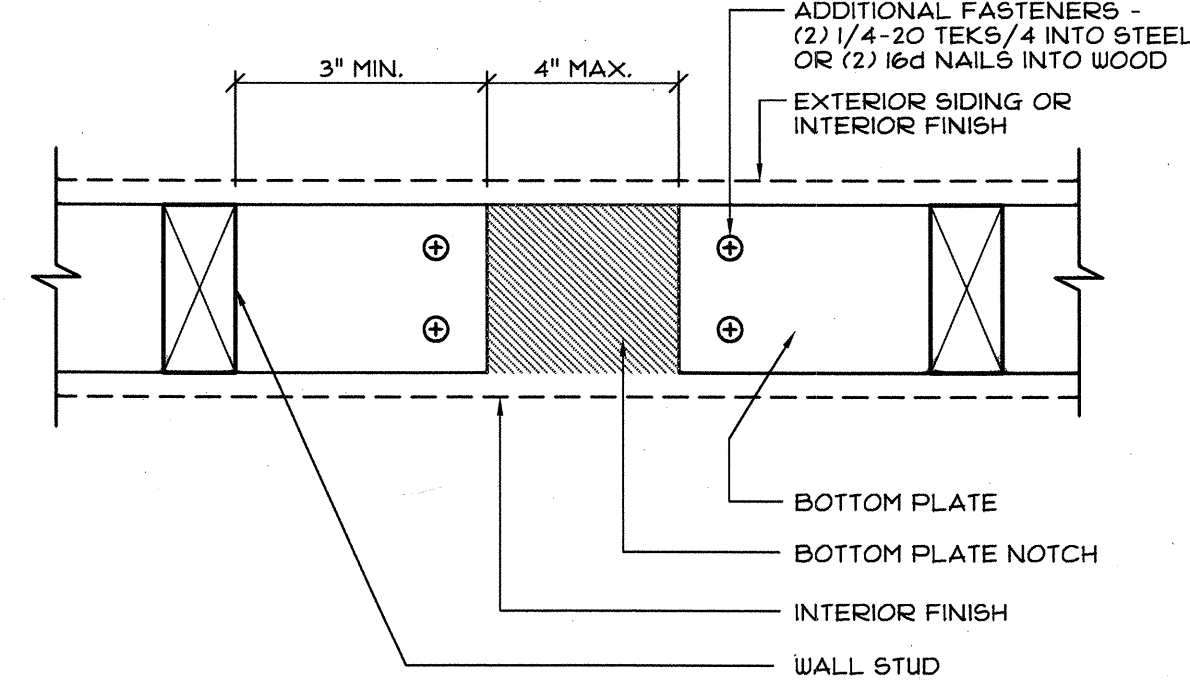


SECTION A-A

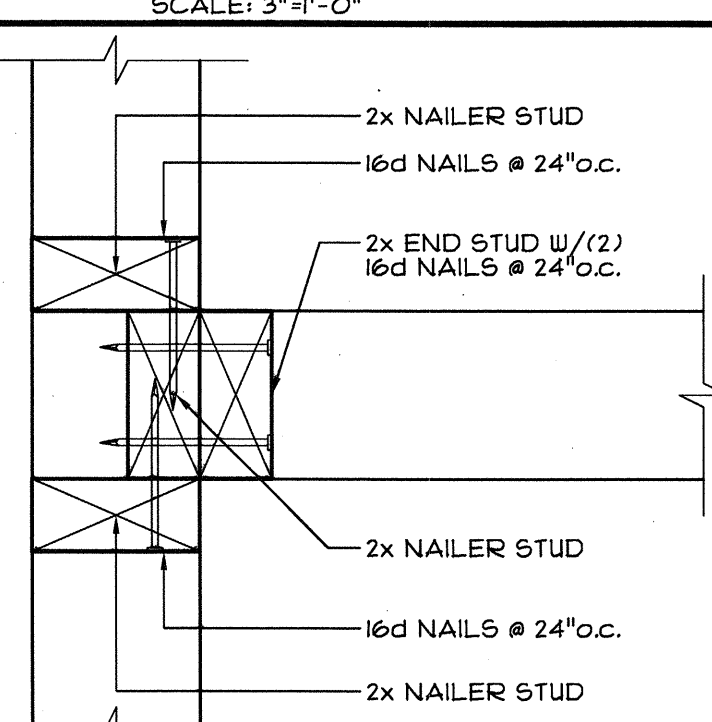


SECTION B-B

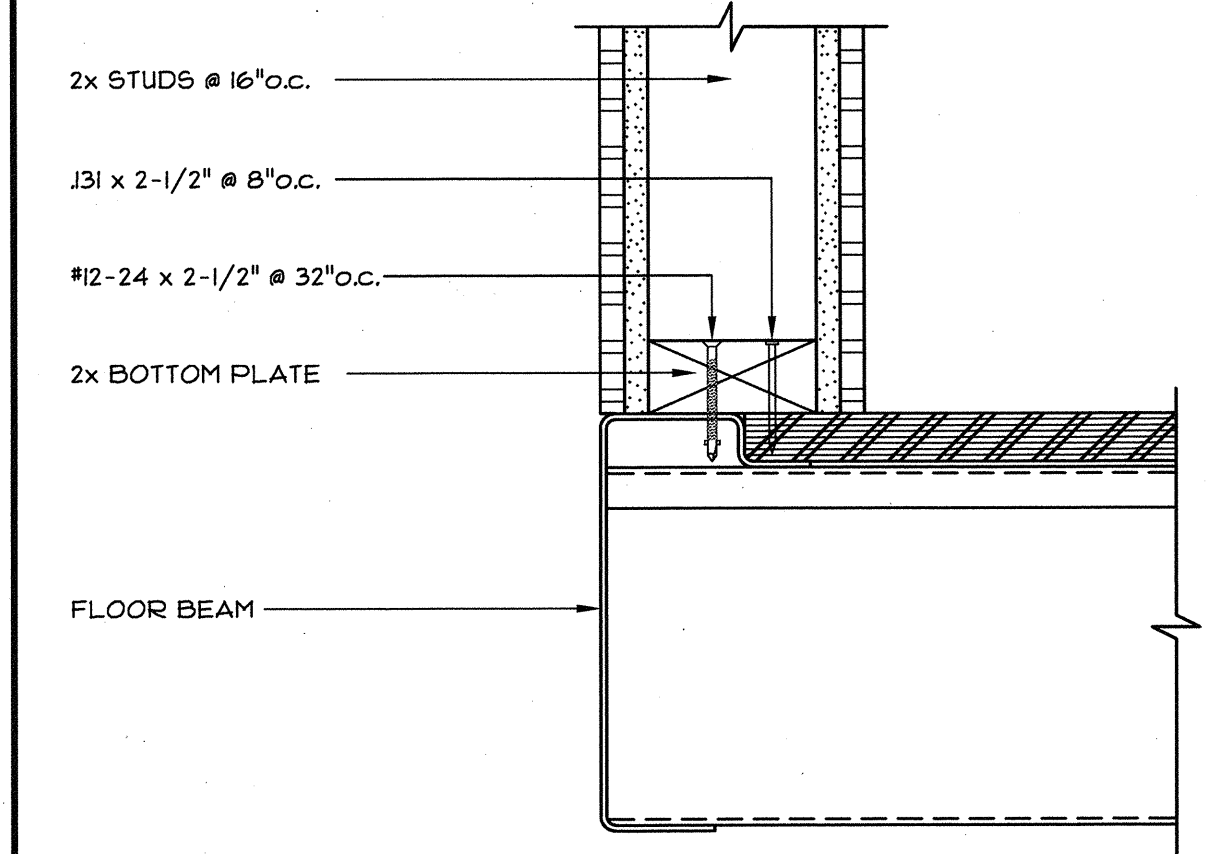
NOTE: 2x4 OR 2x6 STUDS MAY BE USED.



1 ALLOWABLE BOTTOM PLATE NOTCH
SCALE: 3/4"=1'-0"



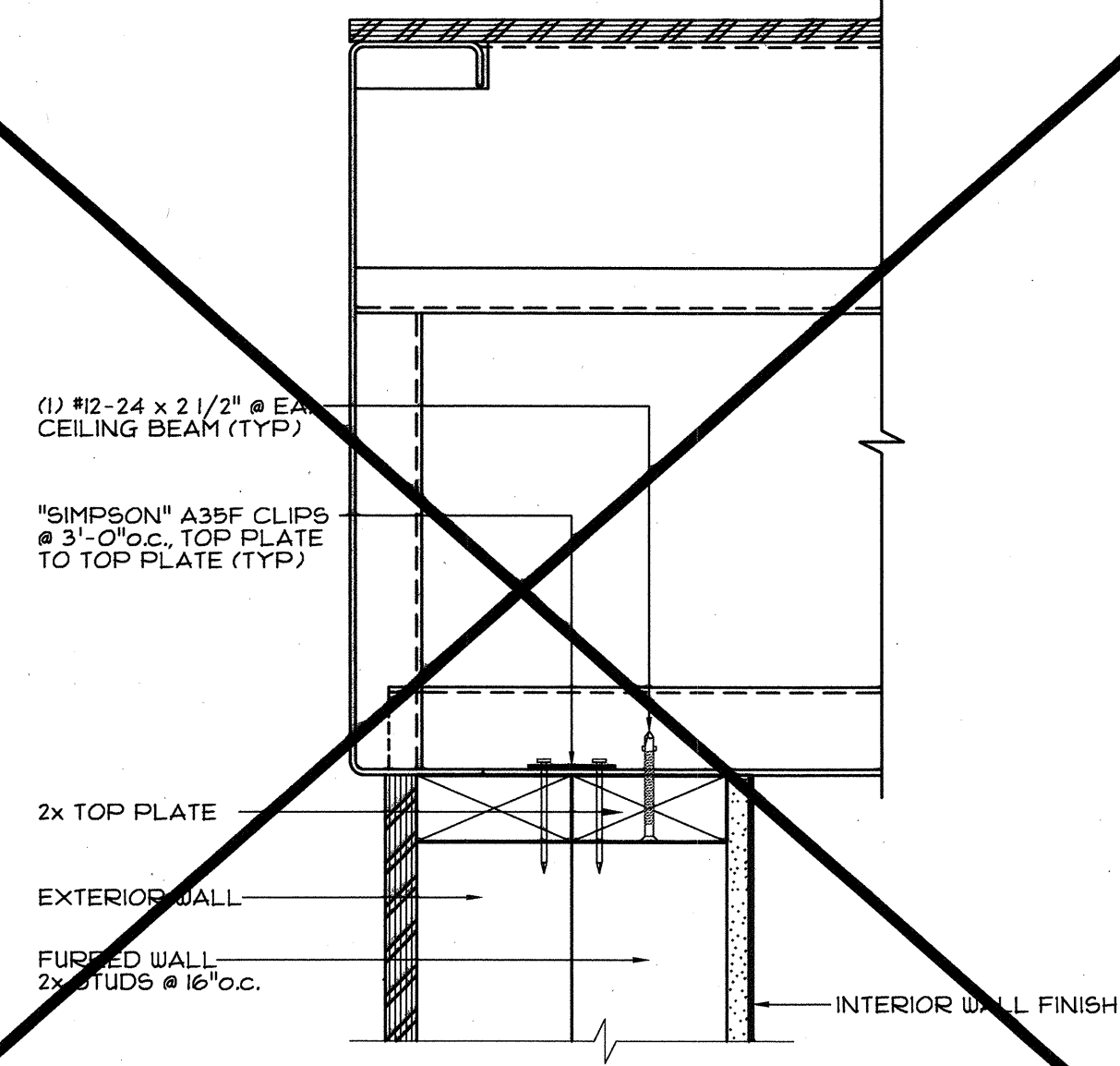
2 INT. TOP PLATE TO ROOF BEAM
SCALE: 3/4"=1'-0"



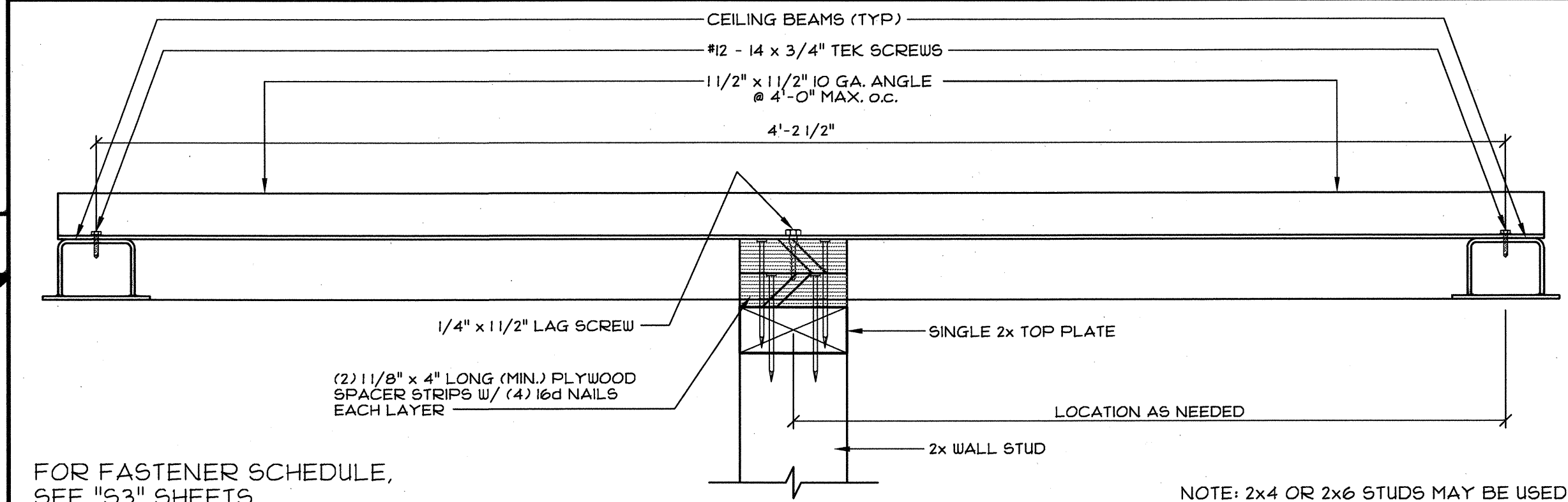
3 INT. BOTTOM PLATE TO FLOOR BEAM
SCALE: 3/4"=1'-0"

11 TOP CONNECTION - FULL HT. POST FOR HALF WALLS
SCALE: 3/4"=1'-0"

4 PERPENDICULAR WALL CONNECTION
SCALE: 3/4"=1'-0"

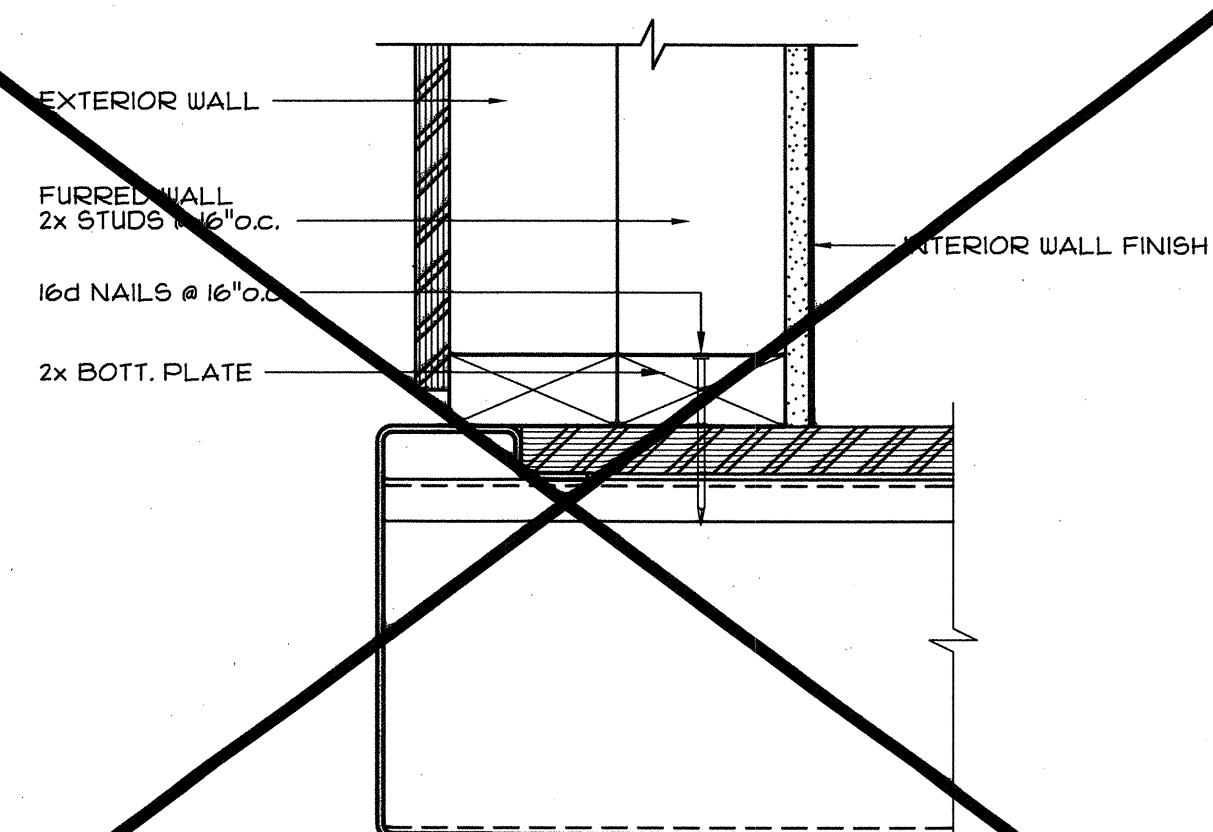


4 PERPENDICULAR WALL CONNECTION
SCALE: 3/4"=1'-0"

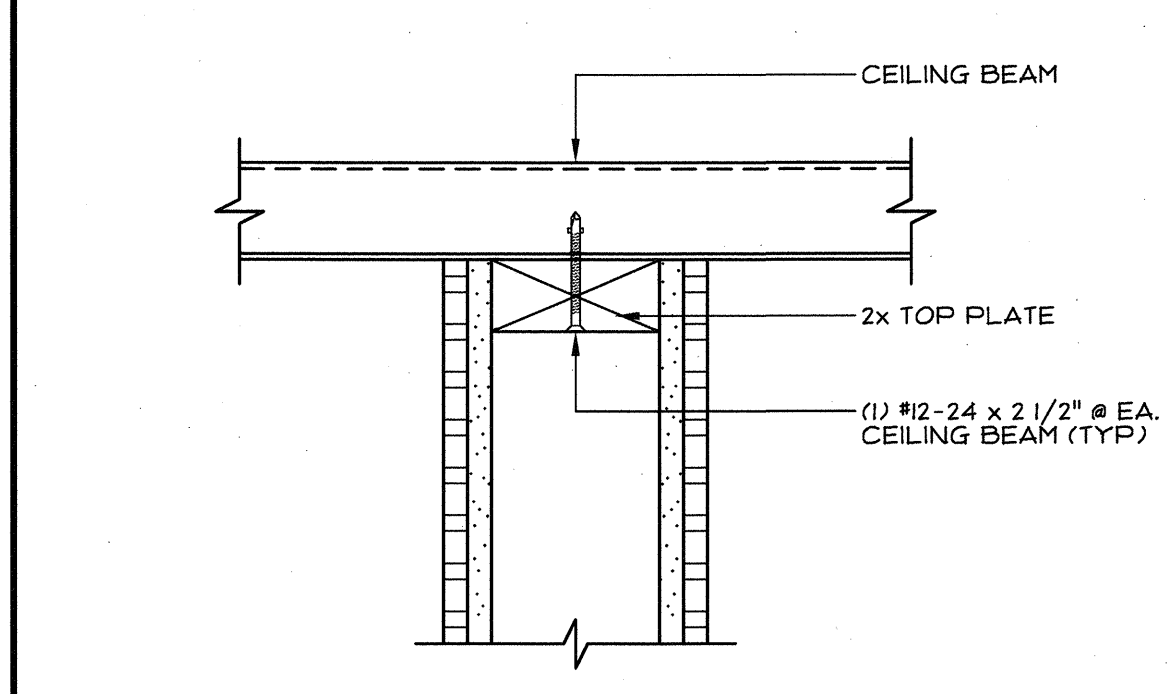


5 TOP PLATE ATTACHMENT BETWEEN CEILING BEAMS
SCALE: 3/4"=1'-0"

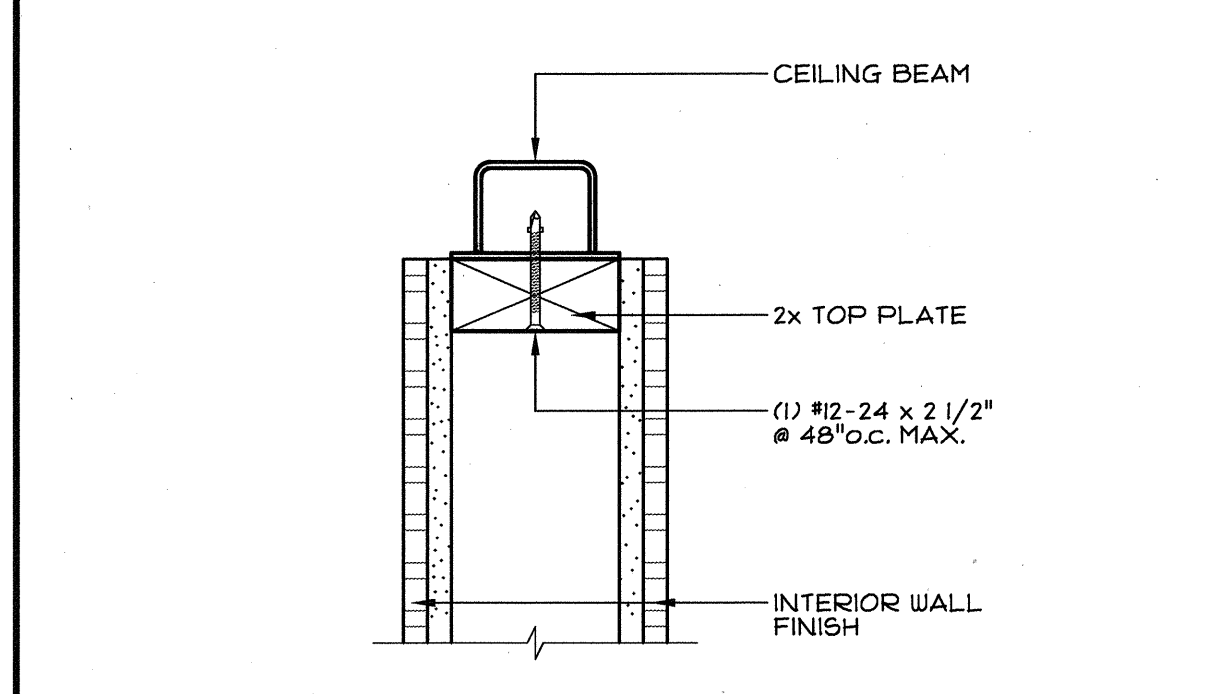
6 FURRED WALL - TOP PLATE CONNECTION
SCALE: 3/4"=1'-0"



6 FURRED WALL - TOP PLATE CONNECTION
SCALE: 3/4"=1'-0"



7 TOP PLATE TO CEILING BEAM
SCALE: 3/4"=1'-0"

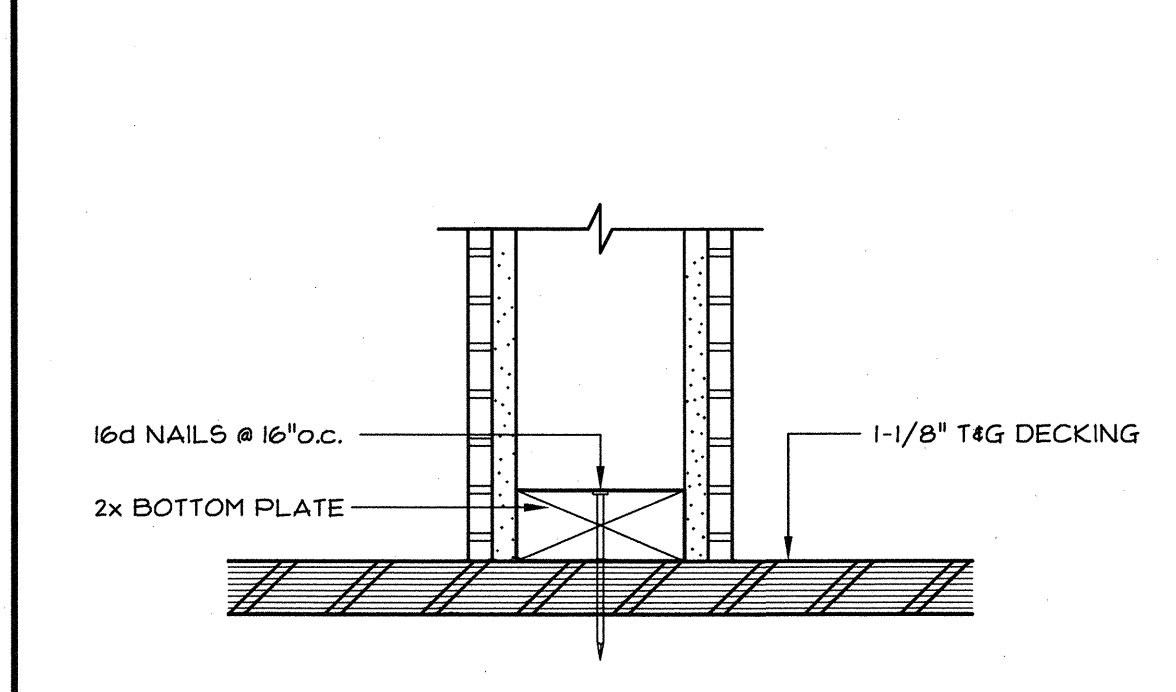


8 TOP PLATE TO CEILING BEAM
SCALE: 3/4"=1'-0"

9 FURRED WALL - BOTTOM PLATE CONNECTION
SCALE: 3/4"=1'-0"



9 FURRED WALL - BOTTOM PLATE CONNECTION
SCALE: 3/4"=1'-0"



10 BOTTOM PLATE TO FLOOR
SCALE: 3/4"=1'-0"

DIVISION OF THE STATE ARCHITECT

REV / DATE:

JOB No.:	12-19
DRAWN BY:	JM
DATE:	07-18-12

THIS MODULAR BLDG. HAS BEEN ENGINEERED BY A REGISTERED STRUCTURAL ENGINEER AND PREVIOUSLY REVIEWED & APPROVED BY THE DIVISION OF THE STATE ARCHITECT, FIRE & LIFE SAFETY AND ACCESS COMPLIANCE SECTION

CONFIDENTIAL MATERIAL—THESE DOCUMENTS ARE THE PROPERTY OF AND ARE NOT TO BE REPRODUCED OR DISTRIBUTED WITHOUT FULL KNOWLEDGE AND WRITTEN CONSENT FROM ENVIROPLEX, INC. © COPYRIGHT ENVIROPLEX, INC. (ALL DRAWINGS PREPARED BY ENVIROPLEX, INC.)

APPROVALS

CYS
STRUCTURAL ENGINEERS INC.
1700 CRENSHAW OAKS DR., SUITE 8833
LOS ANGELES, CA 90008
(916) 950-2020 (916) 920-1556 FAX
WWW.CYS-ENG.COM

REGISTERED PROFESSIONAL ENGINEER
ARCHITECT ERNEST J. BROWN
No. S2830
EXP. 9/30/13
STRUCTURAL
STATE OF CALIFORNIA

THESE DRAWINGS ARE PRELIMINARY AND NOT FOR CONSTRUCTION UNLESS STAMPED & SIGNED BY THE ENGINEER OF RECORD.

ENVIROPLEX, INC.
4777 E. CARPENTER ROAD STOCKTON, CA 95215, (209) 466-8000

1) 12x40 RELOCATABLE RESTROOM BUILDINGS
FOR LA CANADA COLLEGE
SAN MATEO COMMUNITY COLLEGE DISTRICT

INTERIOR WALL CONNECTION DETAILS

REV / DATE:

JOB No.: 12-19
DRAWN BY: JM
DATE: 07-18-12

THIS MODULAR BLDG. HAS BEEN ENGINEERED BY A REGISTERED STRUCTURAL ENGINEER AND PREVIOUSLY REVIEWED & APPROVED BY THE DIVISION OF THE STATE ARCHITECT, FIRE & LIFE SAFETY AND ACCESS COMPLIANCE SECTION

CONFIDENTIAL MATERIAL—THESE DOCUMENTS ARE THE PROPERTY OF AND ARE NOT TO BE REPRODUCED OR DISTRIBUTED WITHOUT FULL KNOWLEDGE AND WRITTEN CONSENT FROM ENVIROPLEX, INC. © COPYRIGHT ENVIROPLEX, INC. (ALL DRAWINGS PREPARED BY ENVIROPLEX, INC.)

APPROVALS

A4H