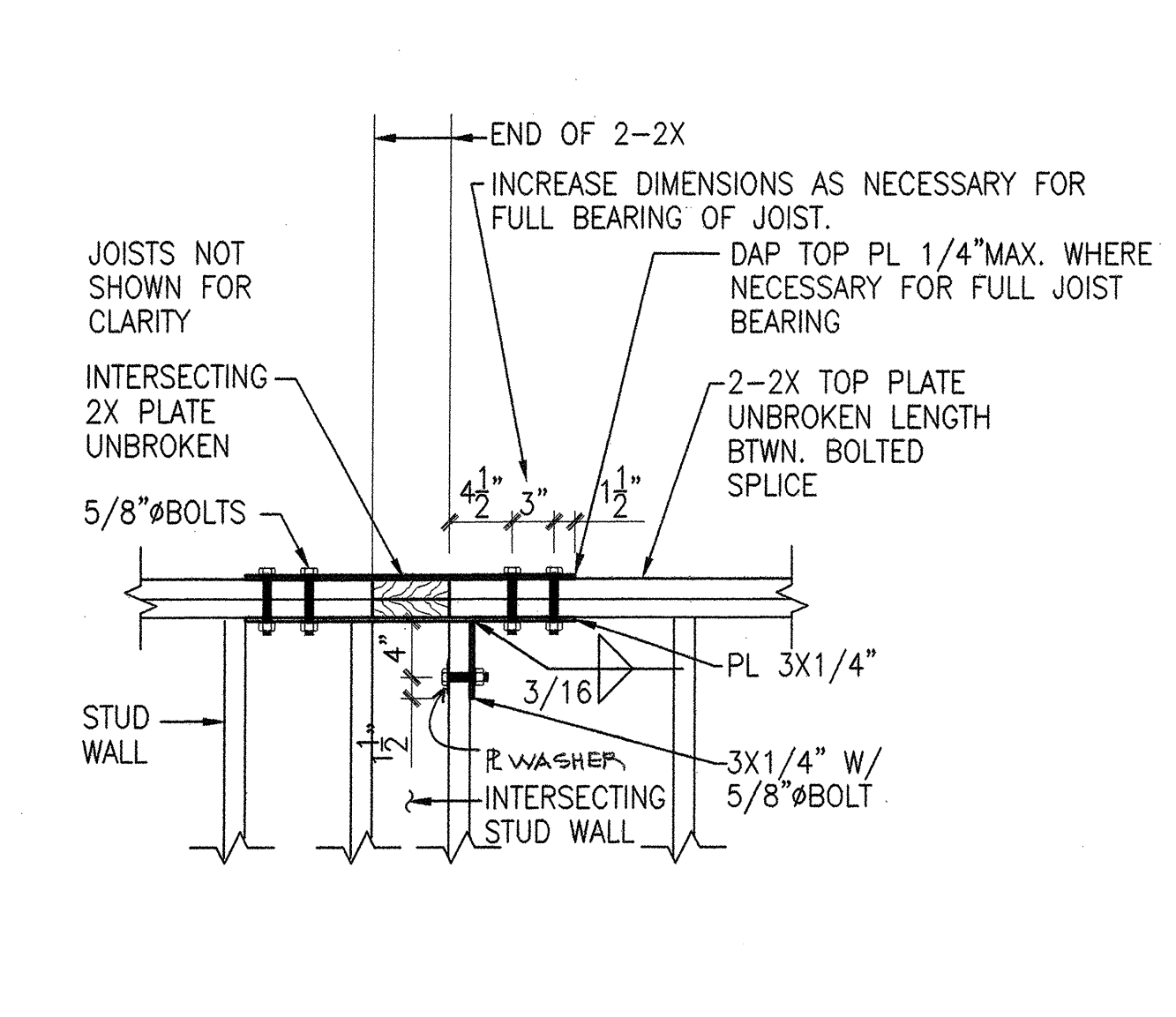
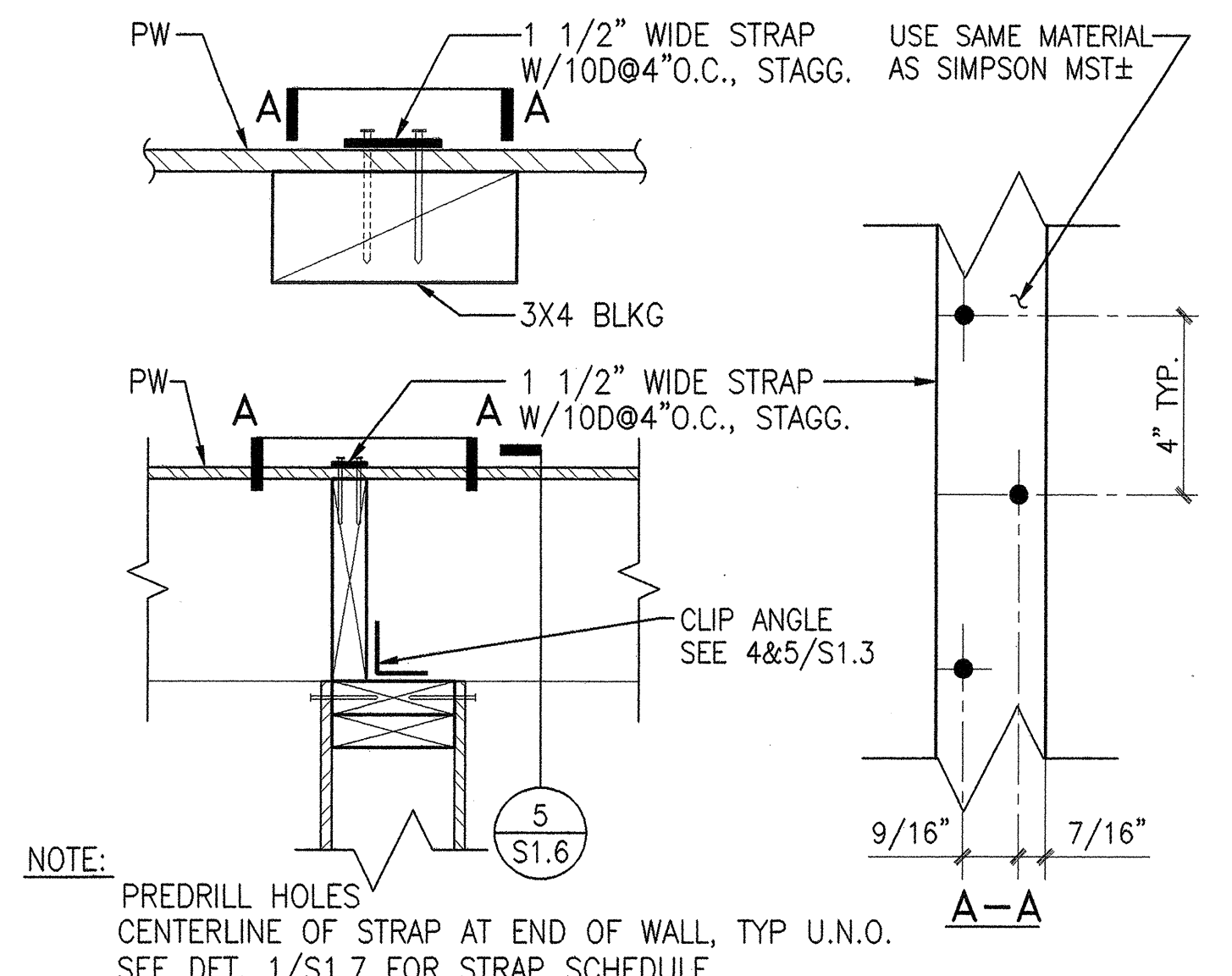


20 19 18 17 16 15 14 13 12 11 10 9 8 7 6 5 4 3 2 1

U
T
S
R
Q
N
M
L
K
J
H
G
F
E
D
C
B
A



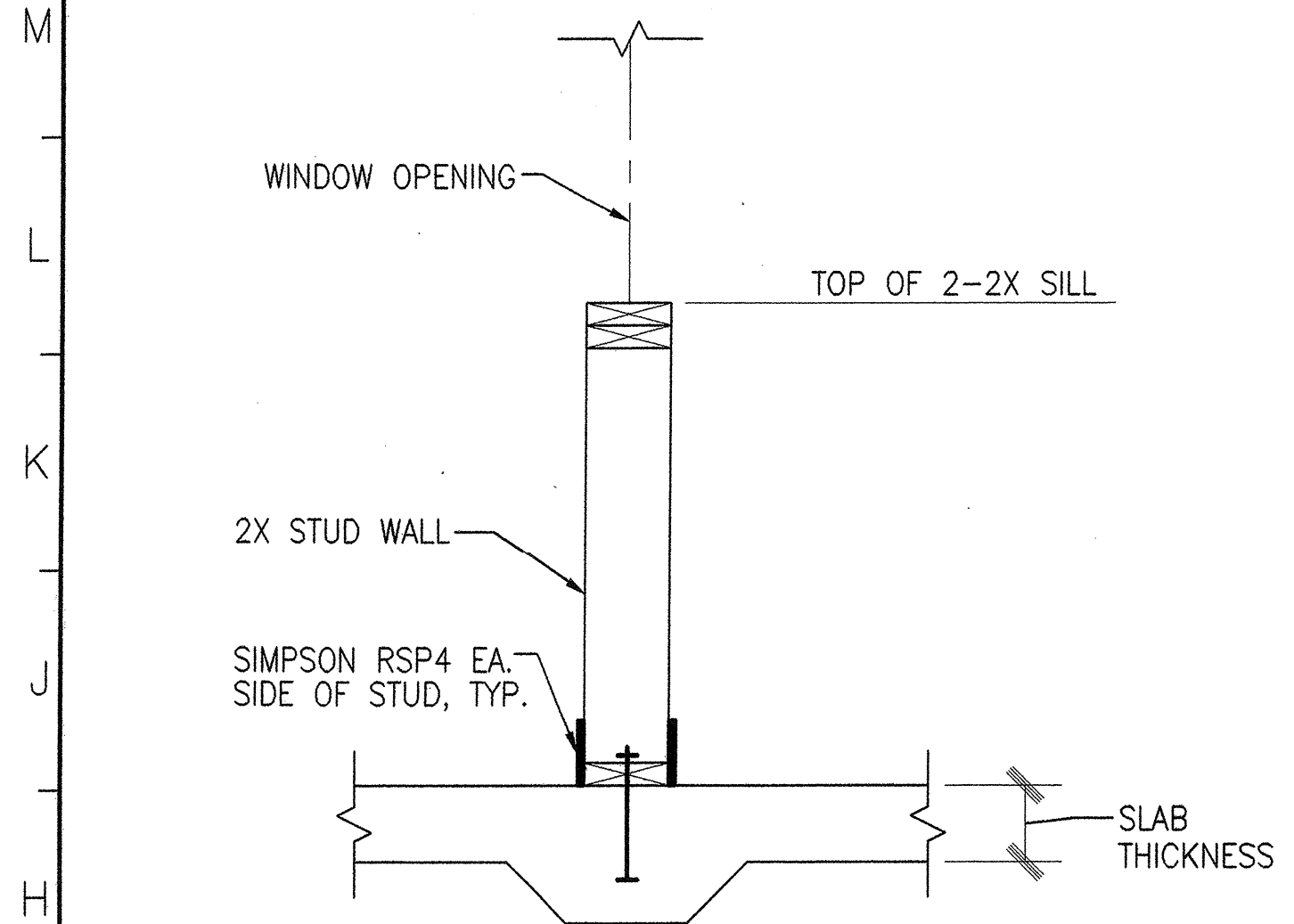
7 BOLTED SPLICE CONNECTION AT INTERSECTING TOP PLATES
N.T.S.



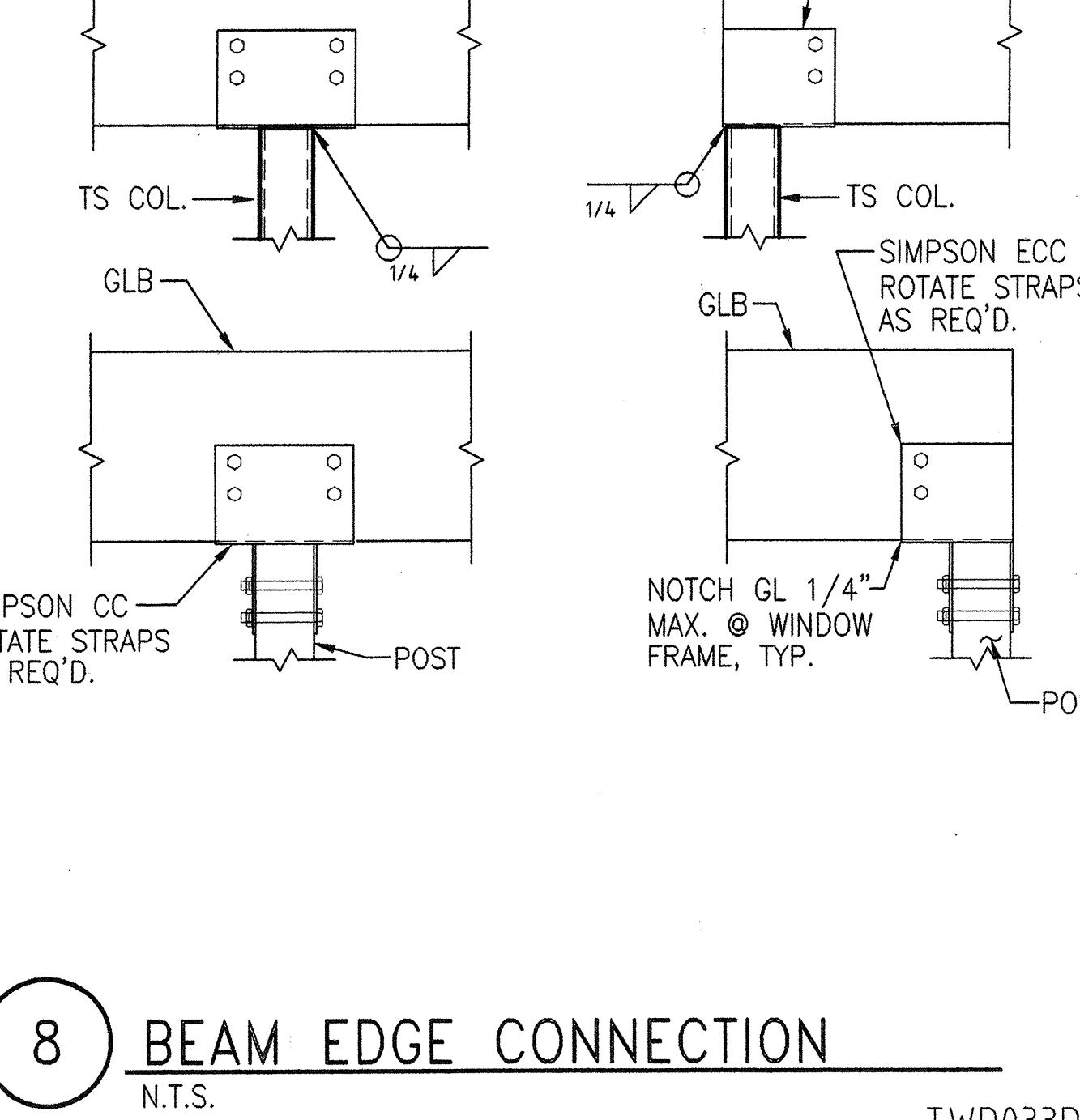
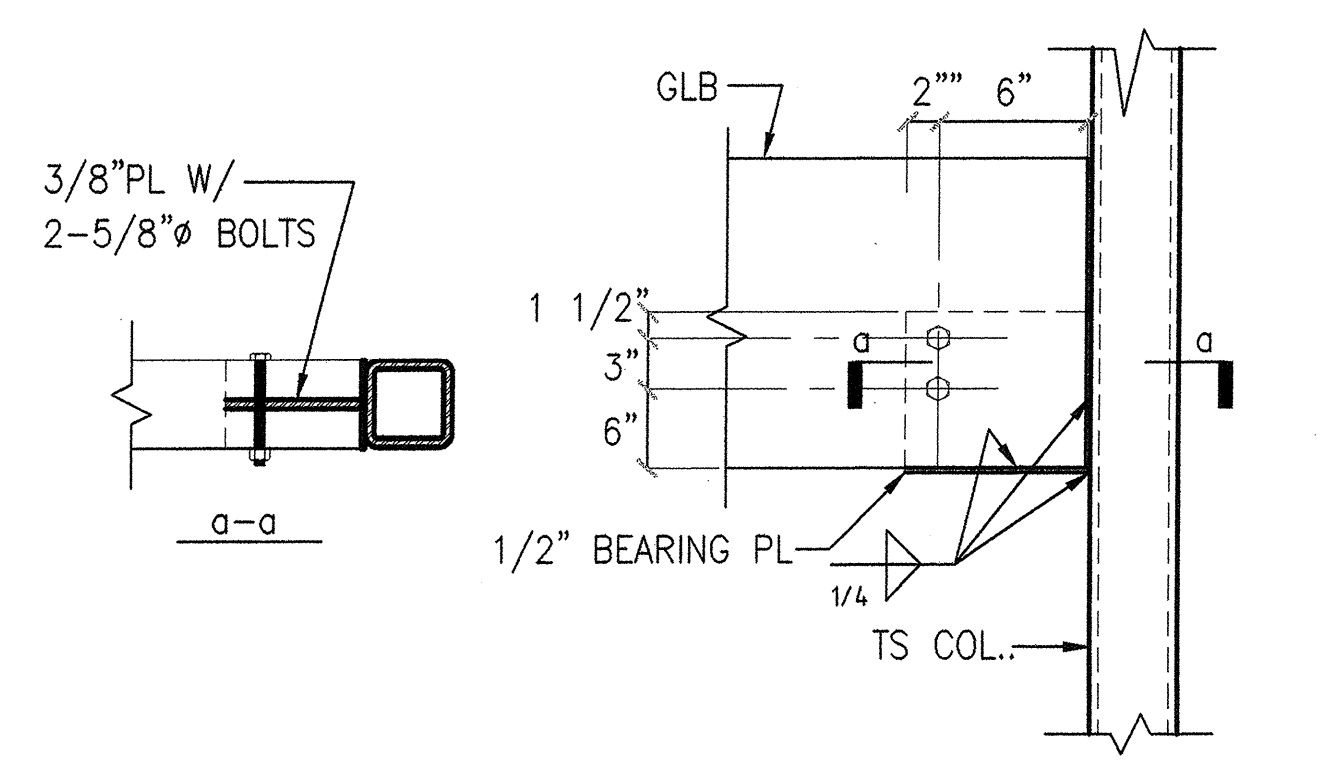
4 ROOF STRAP DETAIL
N.T.S. TWD043D

1 STRAP SCHEDULE
N.T.S. RFI # 74

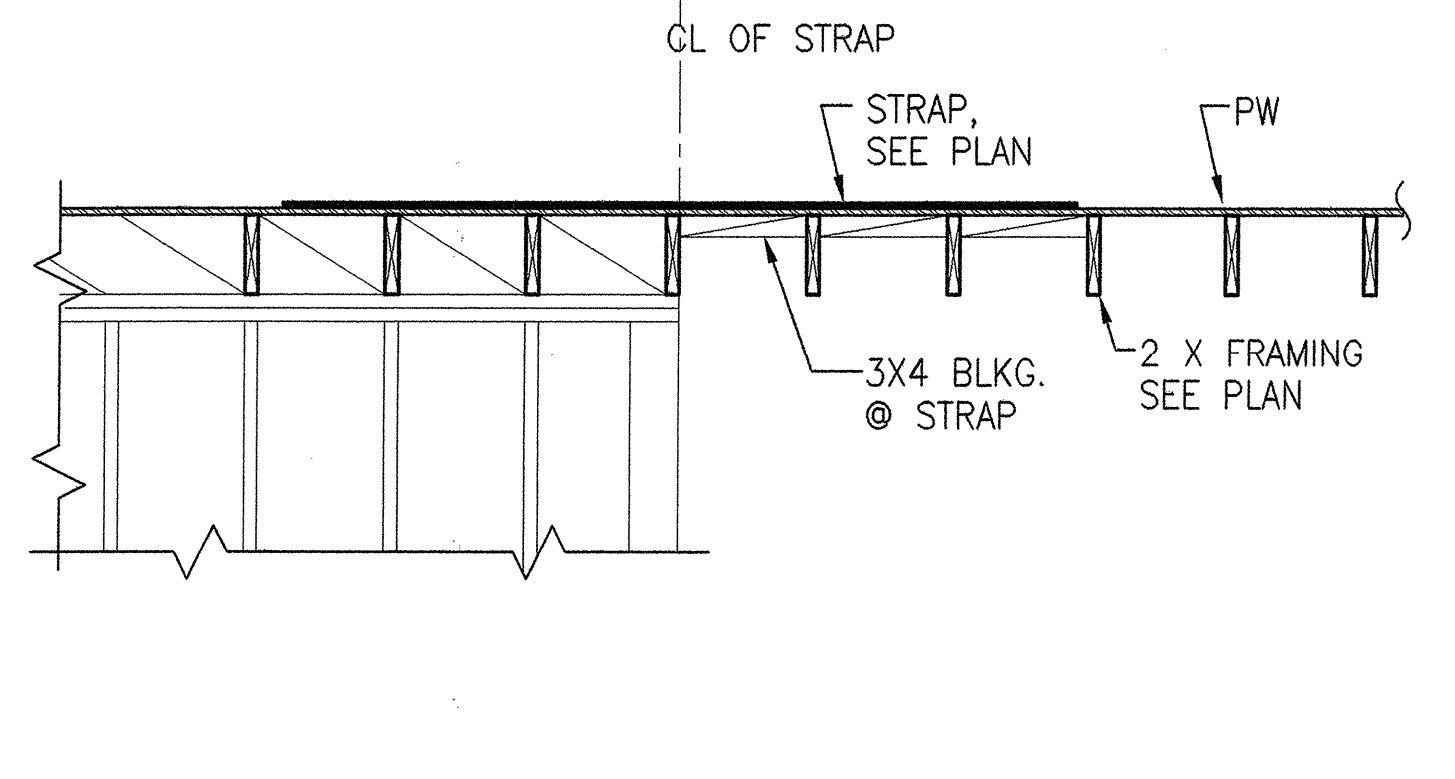
STRAP	LENGTH
C-1	8'-0"
C-2	13'-0"
C-3	6'-0"
C-4	9'-8"
C-5	5'-0"
C-6	15'-0"
C-7	21'-0"
C-8	12'-0"
C-9	33'-0"
C-10	25'-3"
C-11	44'-6"



10 STUD TO SILL CONNECTION AT WINDOW TYPES Q & R
N.T.S.



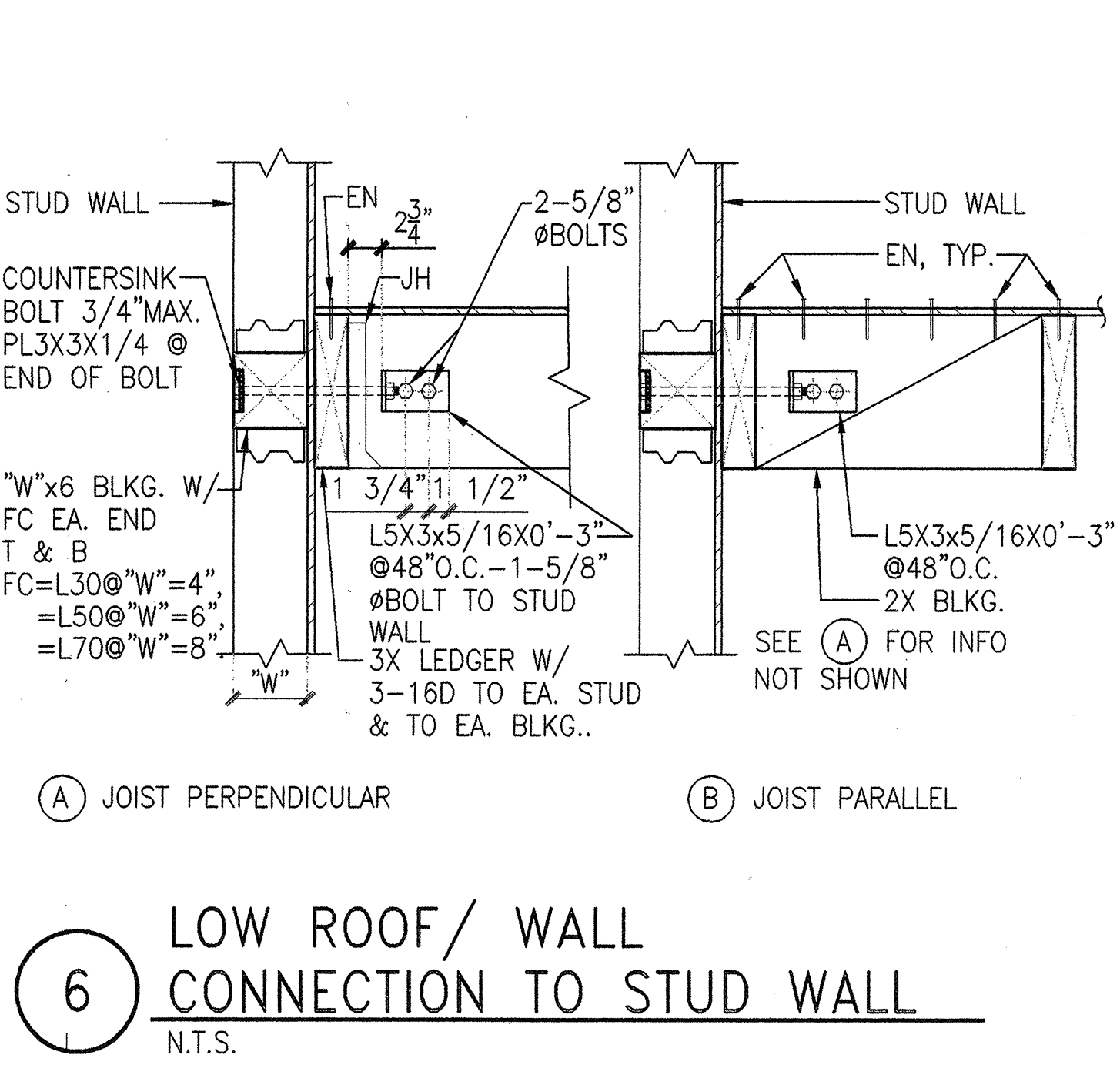
8 BEAM EDGE CONNECTION
N.T.S. TWD033D



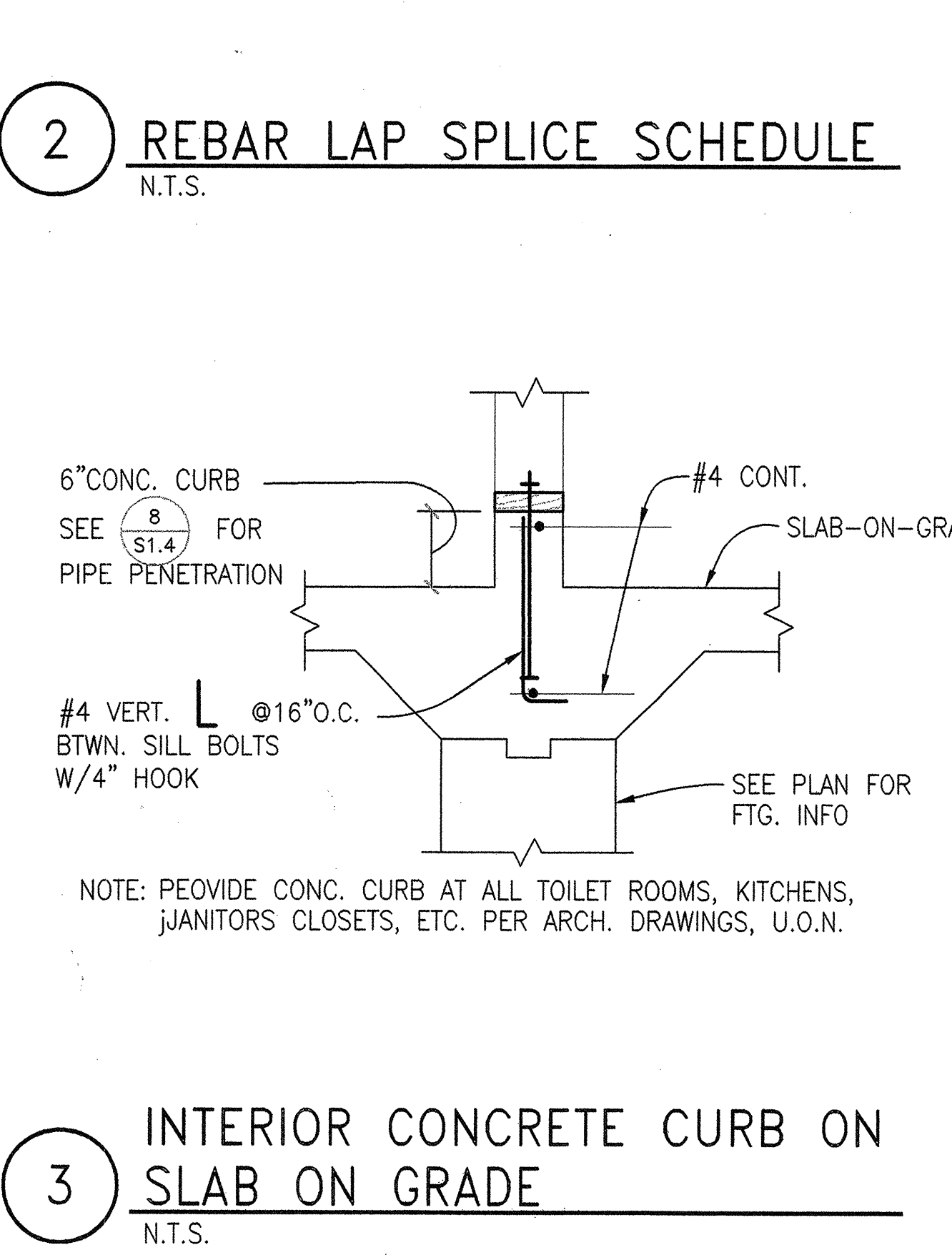
5 ROOF STRAP DETAIL
N.T.S. TWD044D

2 REBAR LAP SPLICE SCHEDULE
N.T.S.

BAR SIZE	LAP (in.)
#3	21"
#4	30"
#5	46"
#6	65"
#7	89"
#8	117"
#9	148"



6 LOW ROOF/WALL CONNECTION TO STUD WALL
N.T.S. TWD038D



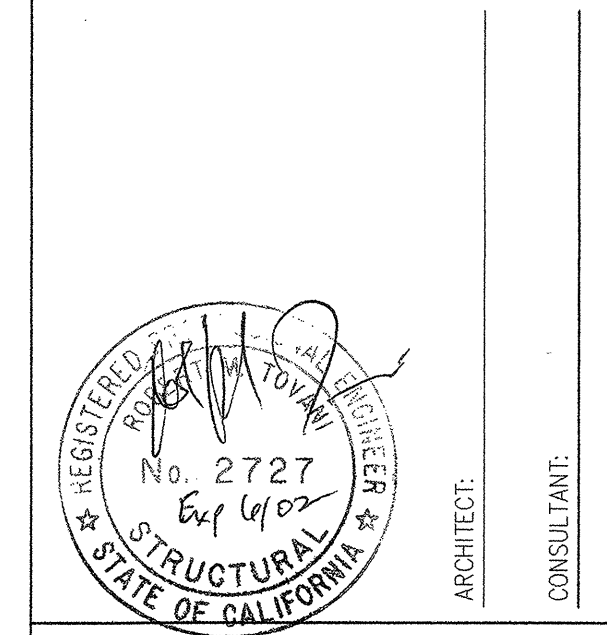
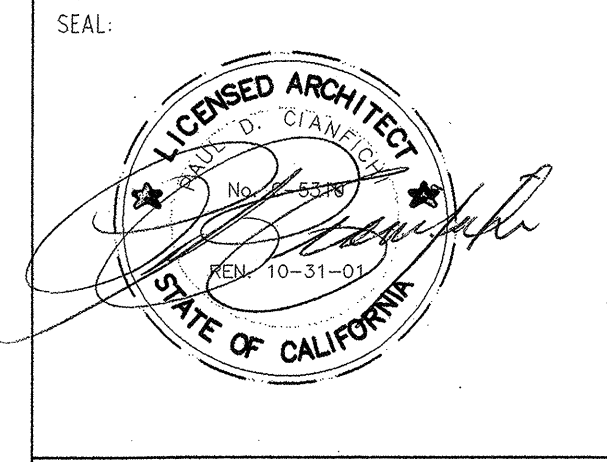
3 INTERIOR CONCRETE CURB ON SLAB ON GRADE
N.T.S.

11 THICKENED SLAB DETAIL
N.T.S. TWD027D

20 19 18 17 16 15 14 13 12 11 10 9 8 7 6 5 4 3 2 1

REVISIONS: Δ REVISIONS SHOWN MADE TO THIS SHEET

NO.	DATE	REASON	BY
1	10/15/01	ADDendum #1	



CONSULTANT:
Degenkolb Engineers
300 Frank H. Ogawa Plaza
Suite 450
Oakland, CA 94612-2001
Phone 415-278-9940
Fax 415-278-9938

ARCHITECT:
CIANFICHI ARCHITECTURE • PLANNING

30 ANNE COURT
WALNUT CREEK, CA 94598
TEL: (925) 256-8838
FAX: (925) 256-8832

PROJECT:
**CHILD DEVELOPMENT CENTER
CANADA COLLEGE**

4200 FARM HILL BLVD.
REDWOOD CITY, CA 94061

SAN MATEO COUNTY COMMUNITY COLLEGE DISTRICT

STAMP:
APPROVED
DIV OF THE STATE ARCHITECT

AC BC F/Ls BH SS JPL
APPL NO. 01-103529 DATE 2/16/02

APPL NUMBER:
KEY PLAN:

SHEET TITLE:
TYPICAL STRUCTURAL DETAILS

DRAWN BY: JS PROJECT NO.: 304.99
CHECKED BY: MAE/RT DATE: 01-13-01
APPL NO.: SHEET: **S1.7a**
DATA NO.: 102-000 NO. OF: 01