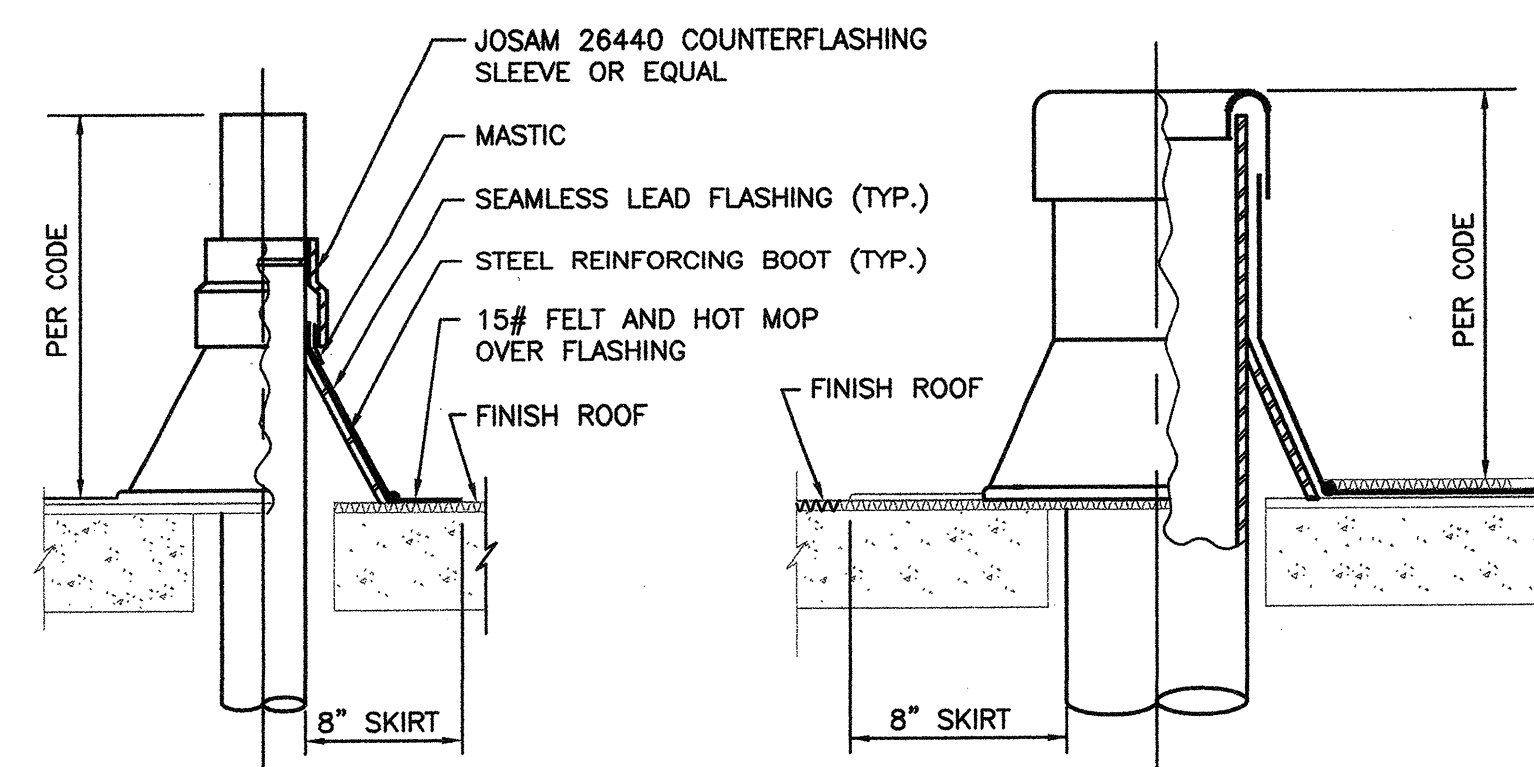


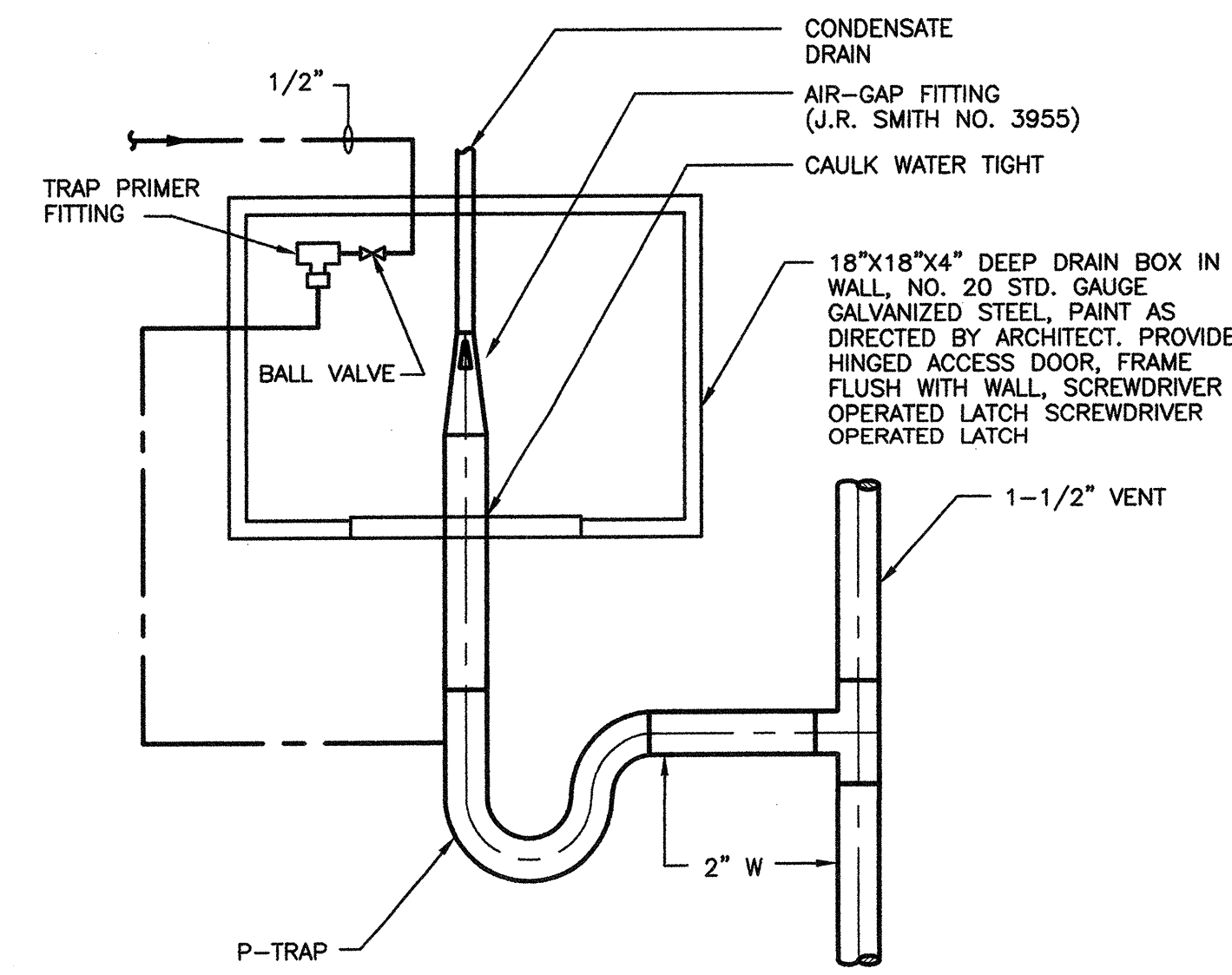
20 19 18 17 16 15 14 13 12 11 10 9 8 7 6 5 4 3 2 1

U
T
S
R
Q
N
M
L
K
J
H
G
F
E
D
C
B
A

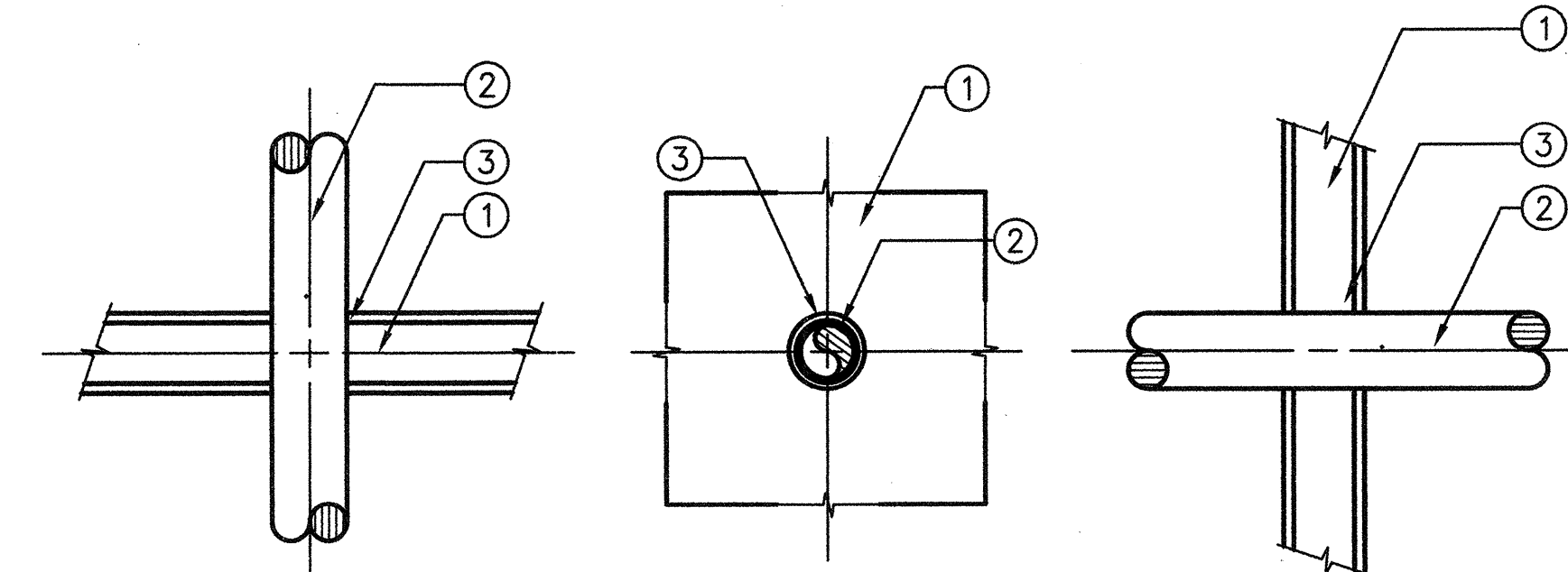


2-1/2' OR SMALLER **3' OR LARGER**

3 VENT THRU ROOF DETAIL
NOT TO SCALE



2 DRAIN BOX DB-1 DETAIL
NOT TO SCALE



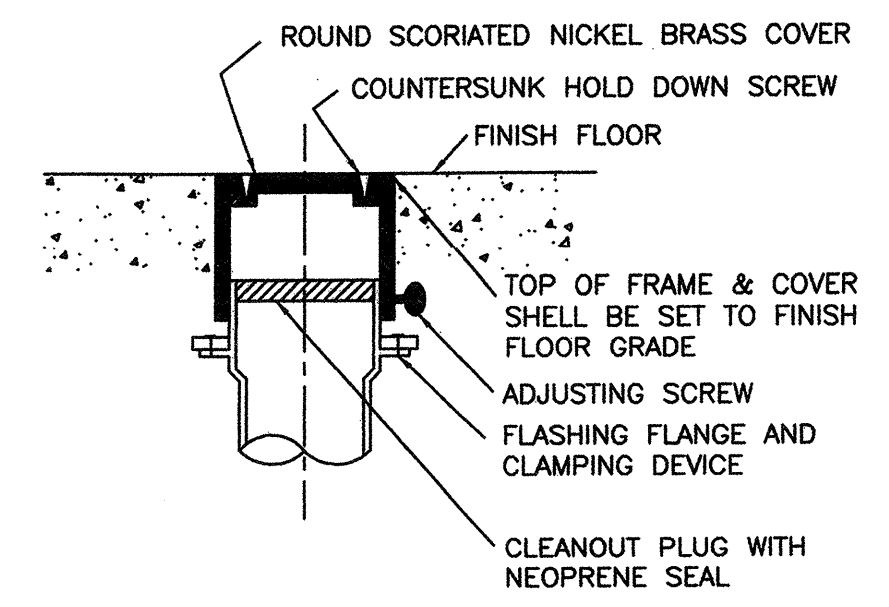
PACK SPACE BETWEEN PIPING AND PENETRATION OPENING WITH MATERIAL APPROVED BY UNDERWRITERS LABORATORIES FOR THROUGH PENETRATION FIRE STOP SYSTEMS. MATERIALS, METHODS, AND INSTALLATION SHALL BE IN ACCORDANCE WITH UL APPROVED LISTING AND SHALL BE DESIGNED TO ACT AS A FIRESTOP AS WELL AS A COLD SMOKE, NOXIOUS GAS AND WATER SEALANT. SUBMIT LISTING NUMBERS AND DETAILS FROM UL FIRE RESISTANT DIRECTORY FOR ALL SUCH SYSTEMS TO BE USED. INSULATE PIPES 3 FEET TO EITHER SIDE OF PENETRATION WITH MATERIAL SPECIFIED IN THE UL FIRE RESISTANCE DIRECTORY IF REQUIRED TO OBTAIN THE T- AND F- RATINGS.

- 1 WALL AND FLOOR
- 2 PIPE OR INSULATED PIPE
- 3 FIRE BARRIER - "JM PRODUCTS INC." FIRE BARRIER CAULK CP25 WDA, CP 25WB, CP 25 N/S AND S/L, FIRE BARRIER 2000+, 2000 AND 2003 SILICONE SEALANTS, MOLDABLE PUTTY.

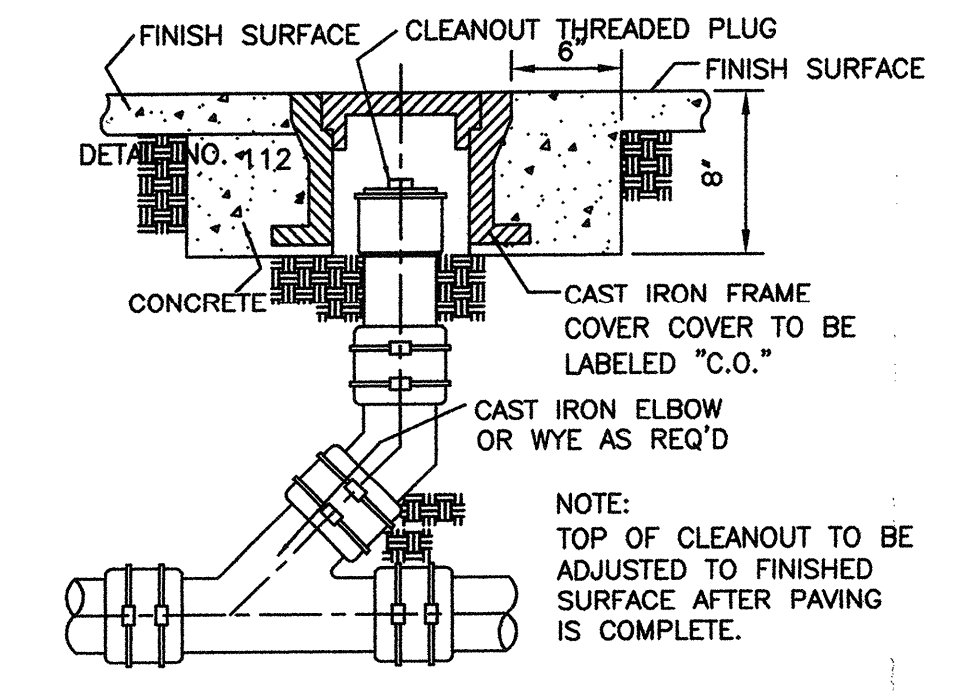
USE FOLLOWING APPLICABLE UL SYSTEMS FOR THE CONSTRUCTION TYPES LISTED.

CONSTRUCTION TYPE	THROUGH PENETRATION FIRESTOP SYSTEM NUMBERS
CONCRETE FLOORS	CAJ1007 (F-2, 3, 4 HR; T-0 HR), CAJ1010 (F-2 HR; T-0 HR), CAJ1012 (F-1 HR; T-0 HR), CAJ1017 (F-2, 3 HR; T-0 HR), CAJ1021 (F-3 HR; T-0, 1.5 HR), CAJ1027 (F-3 HR; T-0 HR), CAJ1044 (F-2, 3, 4 HR; T-0 HR), CAJ1058 (F-3 HR; T-0 HR), CAJ1063 (F-3 HR; T-0.5 HR), CAJ1112 (F-2 HR; T-0 HR), CAJ1175 (F-2 HR; T-0 HR), CAJ5001 (F-1.5, 2, 3 HR; T-0, 0.5, 0.75, 1 HR), CAJ5002 (F-2, 3 HR; T-0, 0.5, 1 HR), CAJ5003 (F-2 HR; T-0.5, 1 HR), CAJ5024 (F-2, 3 HR; T-1, 1.5 HR), CAJ5060 (F-2, 3 HR; T-0, 0.75, 1, 1.5 HR), CBJ1020 (F-4 HR; T-0, 0.75, 1.5 HR)
CONCRETE OR MASONRY WALLS	CAJ1001 (F-3 HR; T-0 HR), CAJ1017 (F-2, 3 HR; T-0 HR), CAJ1021 (F-3 HR; T-0, 1.5 HR), CAJ1027 (F-3 HR; T-0 HR), CAJ1044 (F-2, 3, 4 HR; T-0 HR), CAJ1058 (F-3 HR; T-0 HR), CAJ1063 (F-3 HR; T-0.5 HR), CAJ1112 (F-2 HR; T-0 HR), CAJ1175 (F-2 HR; T-0 HR), CAJ5001 (F-1.5, 2, 3 HR; T-0, 0.5, 0.75, 1 HR), CAJ5002 (F-2, 3 HR; T-0, 0.5, 1 HR), CAJ5003 (F-2 HR; T-0.5, 1 HR), CAJ5024 (F-2, 3 HR; T-1, 1.5 HR), CAJ5060 (F-2, 3 HR; T-0, 0.75, 1, 1.5 HR), CBJ1020 (F-4 HR; T-0, 0.75, 1.5 HR)
GYPSUM WALLBOARD/STUD WALLS	WL1001 (F-1, 2, 3, 4 HR; T-0, 1, 2, 3, 4 HR), WL1002 (F-1, 2 HR; T-0 HR), WL1003 (F-1, 2 HR; T-0 HR), WL2002 (F-1, 1.5, 2 HR; T-0.75, 1, 1.5, 2 HR), WL2003 (F-1, 2 HR; T-1, 2 HR), WL2004 (F-2 HR; T-0.75, 1.5, 2 HR), WL2005 (F-1, 2 HR; T-0, 0.75, 1, 1.5, 2 HR), WL5001 (F-1, 2 HR; T-1, 1.5 HR), WL5002 (F-1, 2 HR; T-1, 2 HR)

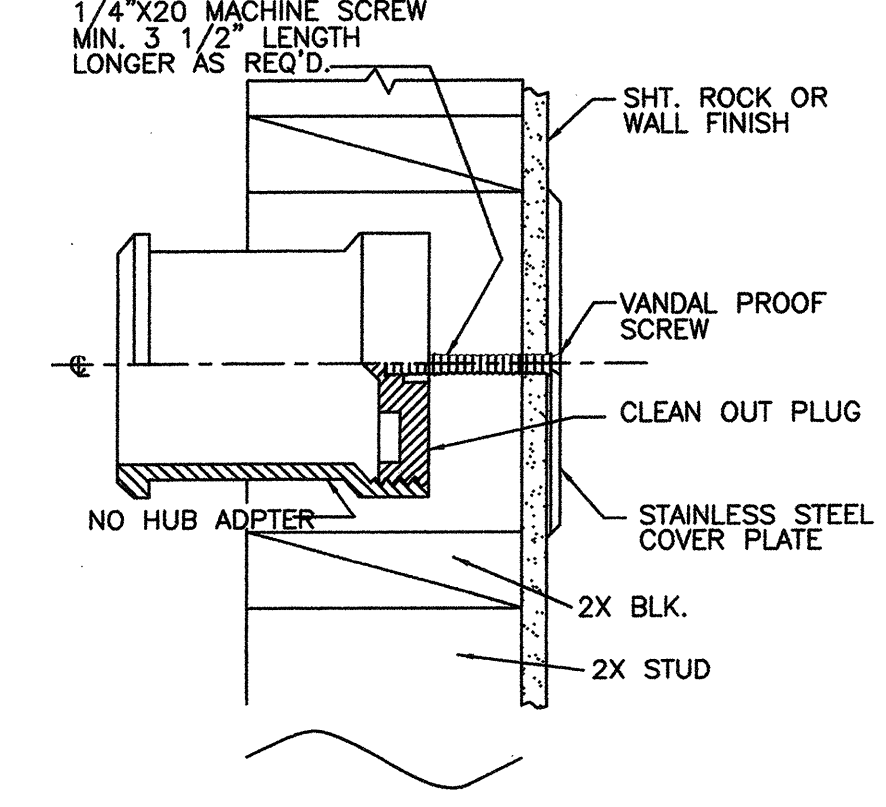
1 PIPE PENETRATION THRU FIRE RATED BARRIER
SCALE: NOT TO SCALE



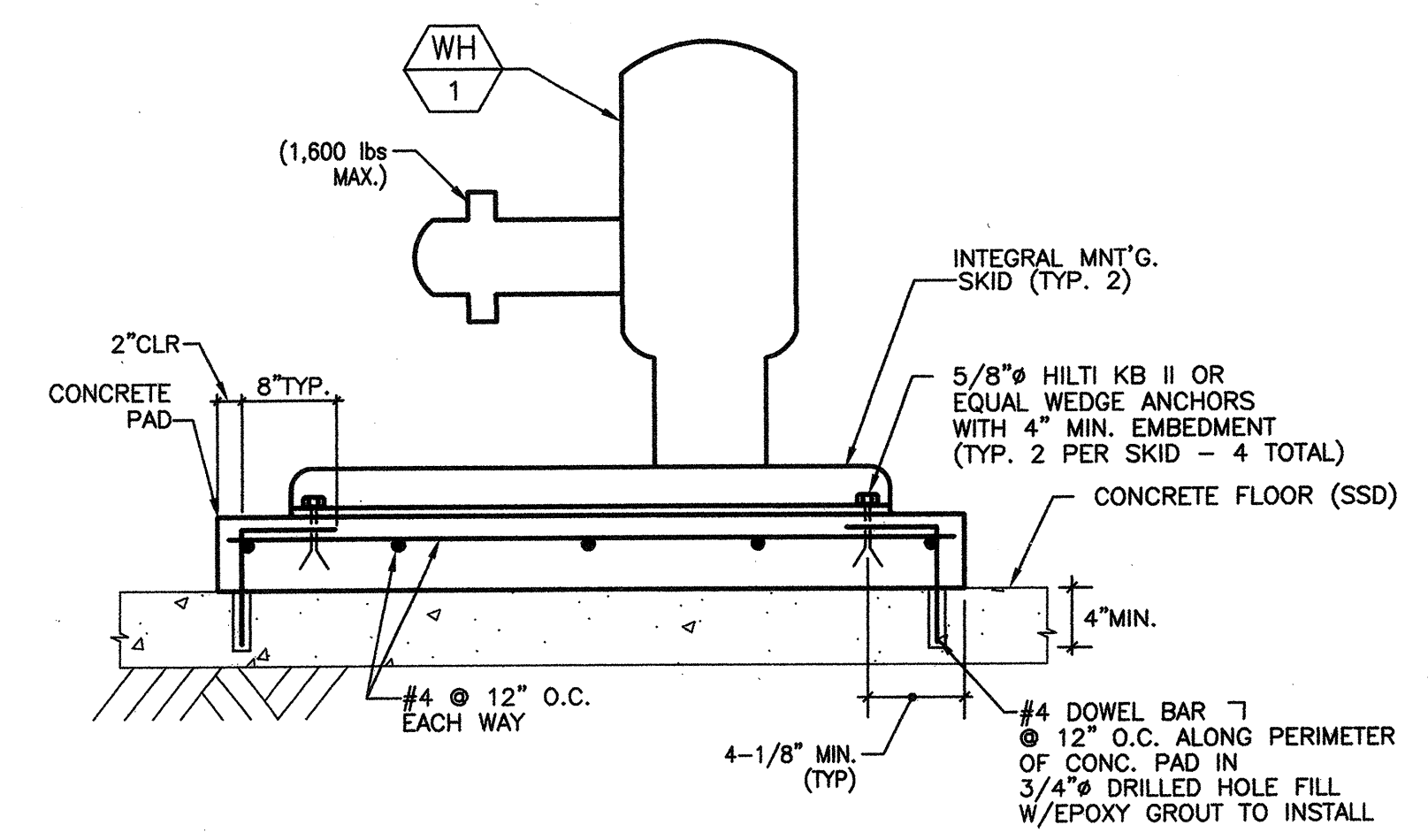
6 FLOOR CLEANOUT
NOT TO SCALE



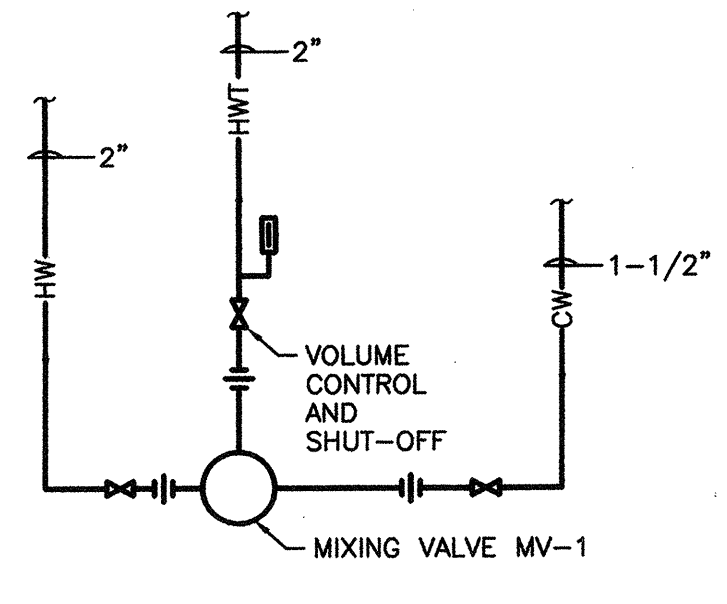
5 CLEAN OUT TO GRADE
NOT TO SCALE



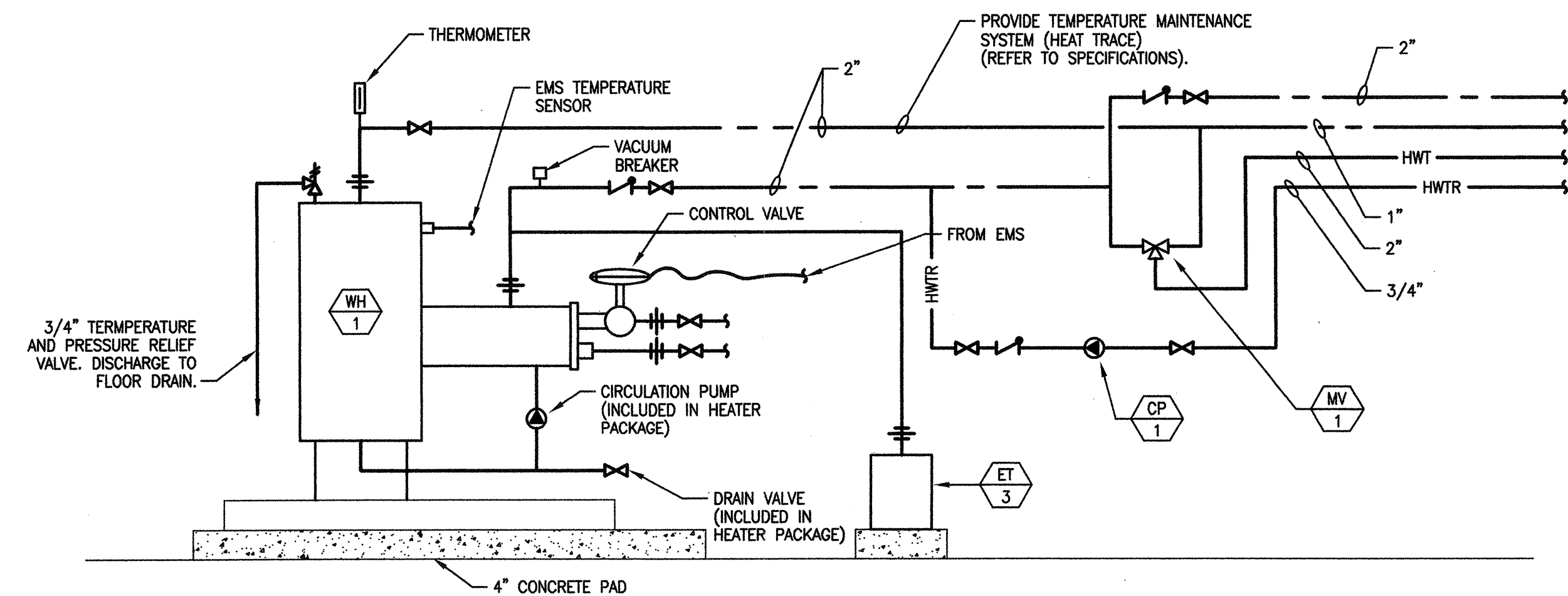
4 WALL CLEANOUT
NOT TO SCALE



8 WATER HEATER MOUNTING DETAIL
NOT TO SCALE



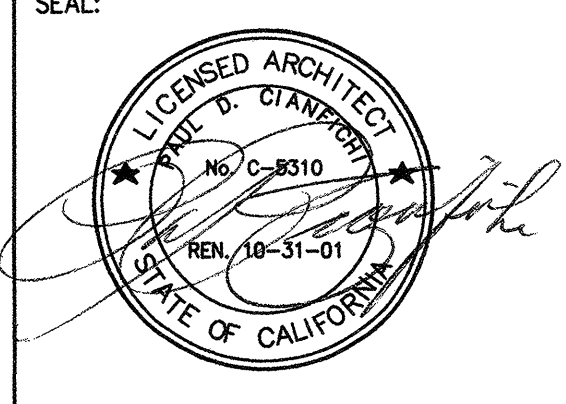
8 MIXING VALVE PIPING DIAGRAM
NOT TO SCALE



7 WATER HEATER PIPING DIAGRAM
NOT TO SCALE

REVISIONS: (1) INDEXED REVISIONS TO THE SHEET
NO. DATE REASON BY

ISSUE FOR PROGRESS REVIEW
ISSUE FOR OWNER APPROVAL
ISSUE FOR PERMIT 05/09/01
ISSUE FOR BID
ISSUE FOR CONSTRUCTION



C I A N F I C H I
ARCHITECTURE • PLANNING

30 ANNE COURT
WALNUT CREEK, CA 94598
TEL: (925) 256-8638
FAX: (925) 256-8652

PROJECT:
CHILD DEVELOPMENT CENTER CANADA COLLEGE

4200 FARM HILL BLVD.
REDWOOD CITY, CA 94061

SAN MATEO COUNTY COMMUNITY COLLEGE DISTRICT

APPROVED
DIV OF THE STATE ARCHITECT

AC BR FLS BH SS MJ
APPL NO: 01-102529 DATE 3/1/01
APPL. NUMBER:

KEY PLAN:
AS-BUILTS

SHEET TITLE:
DETAILS

DRAWN BY: PROJECT NO: 304.99
CHECKED BY: DATE: 01-22-2001
APPL. NO.: SHEET:
DATA NO.: **P3.1 a**
NO. OF:

09/11/01 3:27:10 PM F:\C:\3000\3108.00 CANADA CHILD DEVELOPMENT DRAWINGS\2108P31.DWG