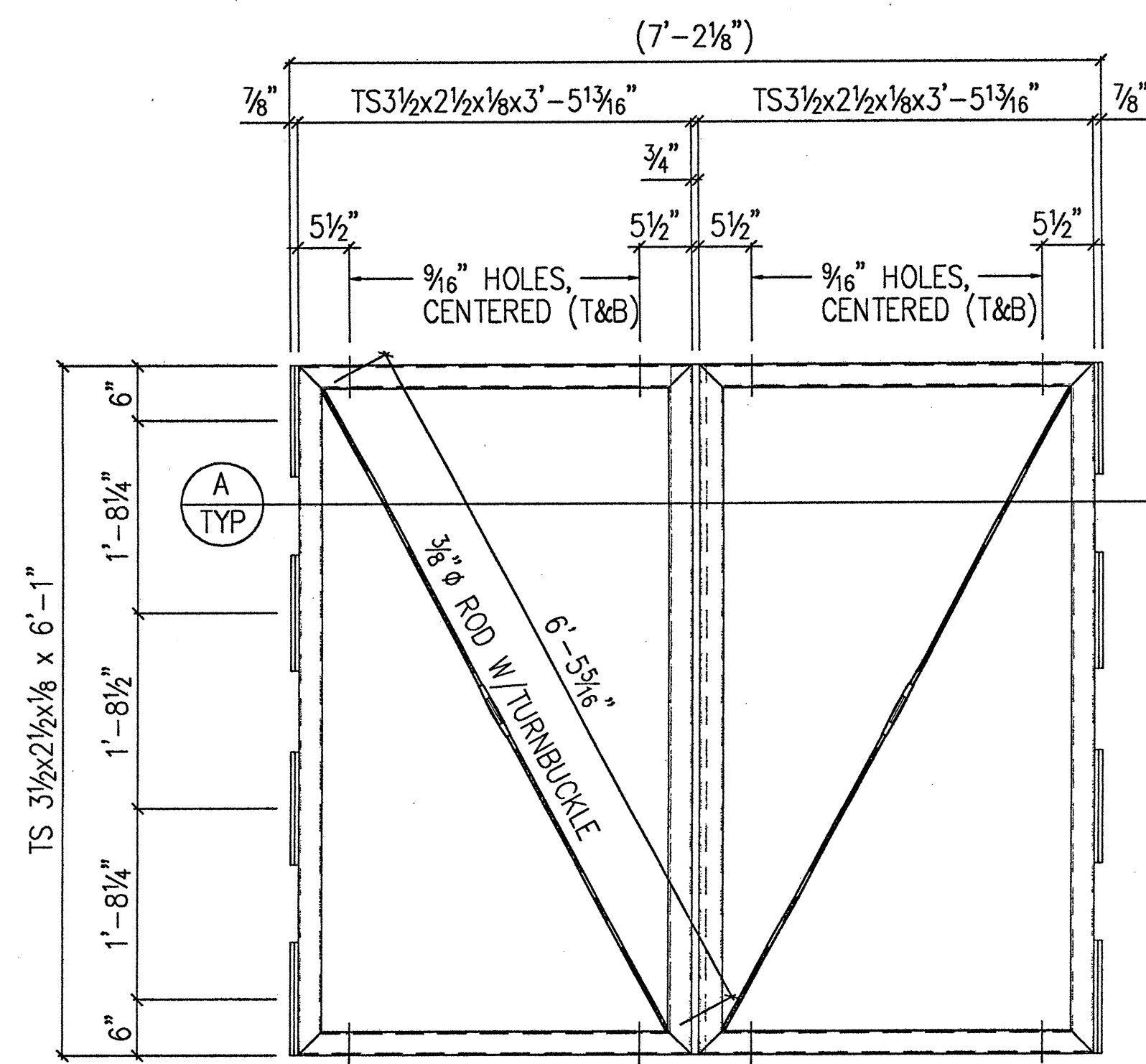
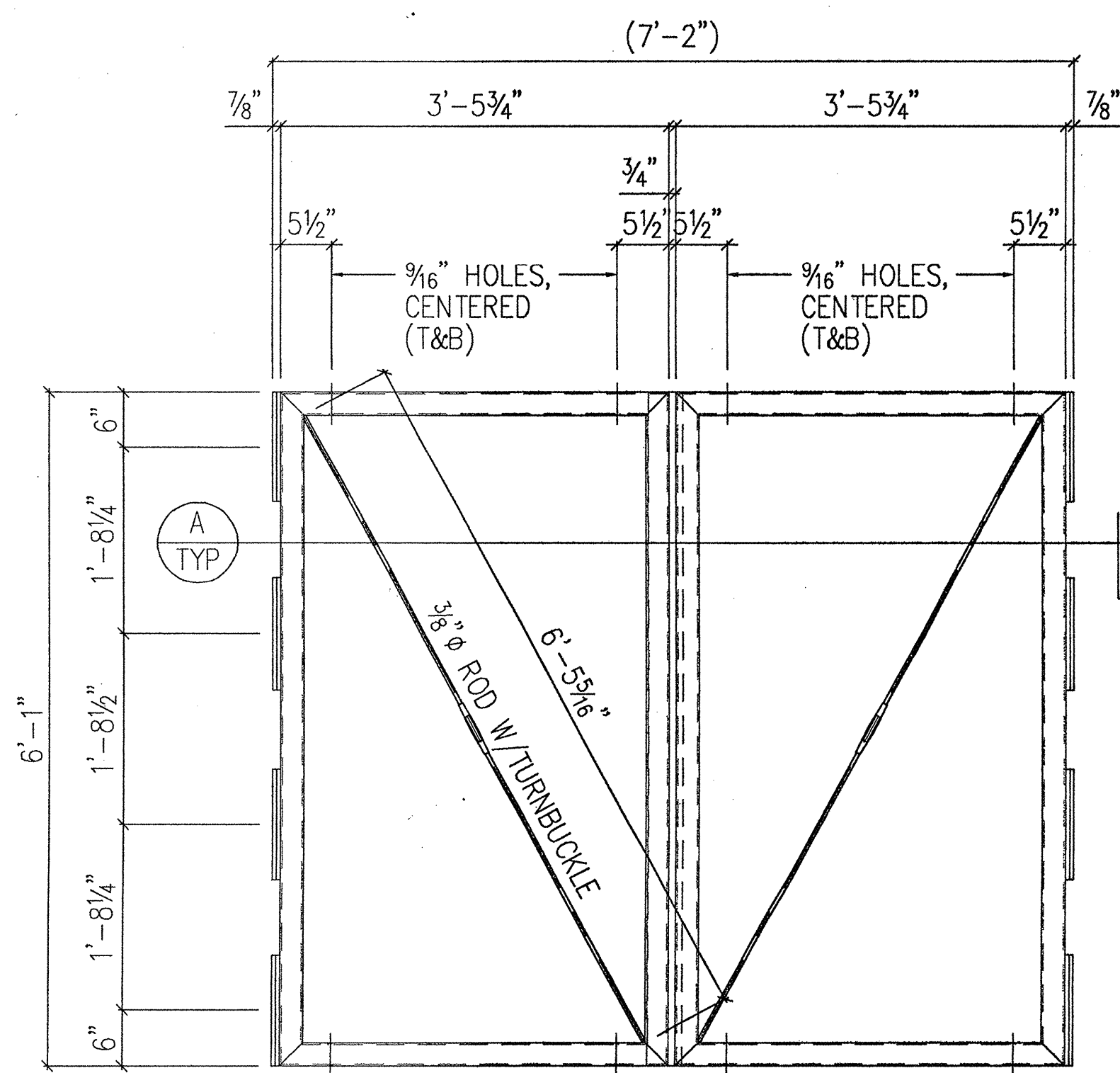


ONE - GATE - C4A



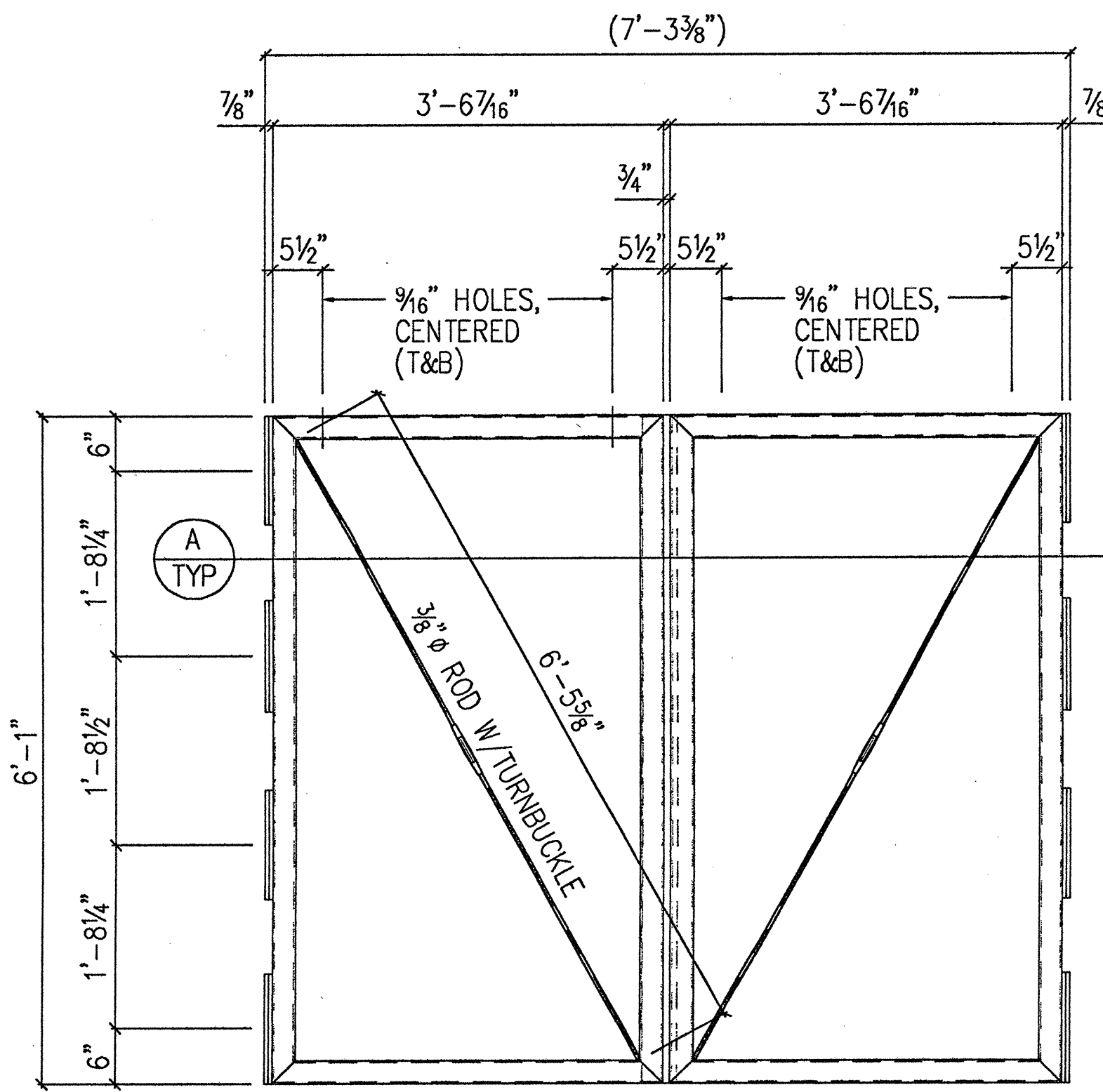
ONE - GATE - D4A

ONE - GATE - E4A



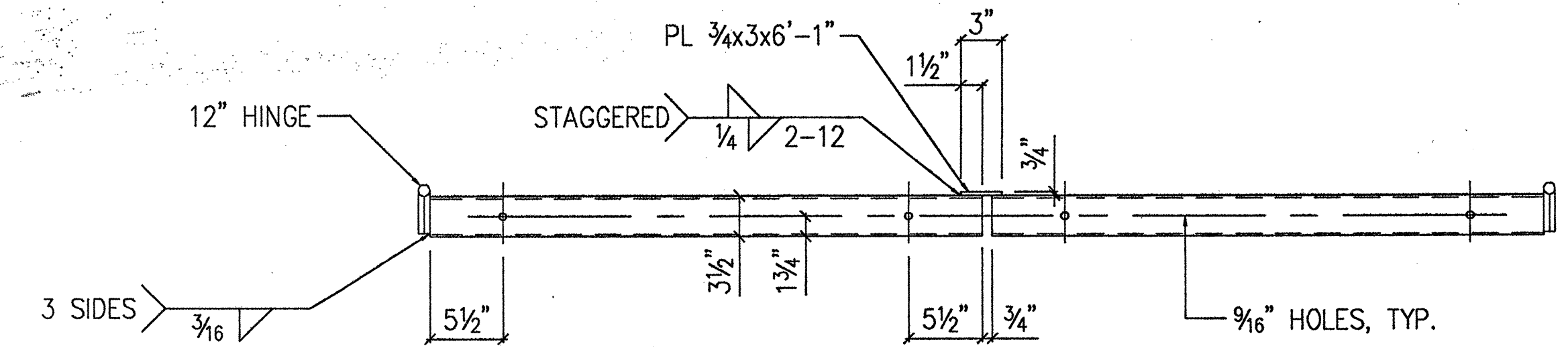
ONE - GATE - F4A

ONE - GATE - G4A



ONE - GATE - H4A

ONE - GATE - K4A



SECTION A

BILL OF MATERIAL

SHIP MARK	PC MARK	QUAN	DESCRIPTION	LENGTH FT.	IN.	REMARKS	ASB WTS.
C4A		1	GATE				
	LF	TS	3 1/2x2 1/2x1/8	20	0	36	
		4	12\" HINGE				
		1	PL 3/4x3	6	1	A36	
	LF		3/8\" ROD	7	0	A36,TURNBUCKLE	
D4A		1	GATE				
	LF	TS	3 1/2x2 1/2x1/8	20	0	36	
		4	12\" HINGE				
		1	PL 3/4x3	6	1	A36	
	LF		3/8\" ROD	7	0	A36,TURNBUCKLE	
E4A		1	GATE				
	LF	TS	3 1/2x2 1/2x1/8	20	0	36	
		4	12\" HINGE				
		1	PL 3/4x3	6	1	A36	
	LF		3/8\" ROD	7	0	A36,TURNBUCKLE	
F4A		1	GATE				
	LF	TS	3 1/2x2 1/2x1/8	20	0	36	
		4	12\" HINGE				
		1	PL 3/4x3	6	1	A36	
	LF		3/8\" ROD	7	0	A36,TURNBUCKLE	
G4A		1	GATE				
	LF	TS	3 1/2x2 1/2x1/8	20	0	36	
		4	12\" HINGE				
		1	PL 3/4x3	6	1	A36	
	LF		3/8\" ROD	7	0	A36,TURNBUCKLE	
H4A		1	GATE				
	LF	TS	3 1/2x2 1/2x1/8	20	0	36	
		4	12\" HINGE				
		1	PL 3/4x3	6	1	A36	
	LF		3/8\" ROD	7	0	A36,TURNBUCKLE	
K4A		1	GATE				
	LF	TS	3 1/2x2 1/2x1/8	20	0	36	
		4	12\" HINGE				
		1	PL 3/4x3	6	1	A36	
	LF		3/8\" ROD	7	0	A36,TURNBUCKLE	
		28	FIELD BOLTS 1/2\" M.B.	0	5	W/N&W	
TOTAL WEIGHT							

OPEN HOLES AS NOTED UNLESS OTHERWISE NOTED

MIN. EDGE DISTANCE ~ UNLESS OTHERWISE NOTED

SHOP PAINT HOT DIP GALVANIZE AFTER FABRICATION

REV. NO.	DESCRIPTION	DATE	BY
0	PARTIAL RELEASE FOR FABRICATION	06.11.03	
1	RELEASE FOR FABRICATION	06.16.03	

AS-BUILTS

NORTH WIND CONTRACTORS
415 E. 10TH STREET
PITTSBURG, CA 94565

CHILD DEVELOPMENT CENTER
REDWOOD CITY, CA

REFERENCE		
DESIGN :		
ERECTION :	E1	
WELD INSPECTION		
REQUIRED	AGENCY	PHONE NO.
YES	NO	
	DCI	1.650.967.6982

CONTRACTOR		GATE DETAILS	
Gonsalves & Stronck		SCALE :	DRAWN BY : WK
		DATE :	06.11.03
		APPROVED BY :	REV. :
		DATE :	02-15
			DRAWING NO. : D4A