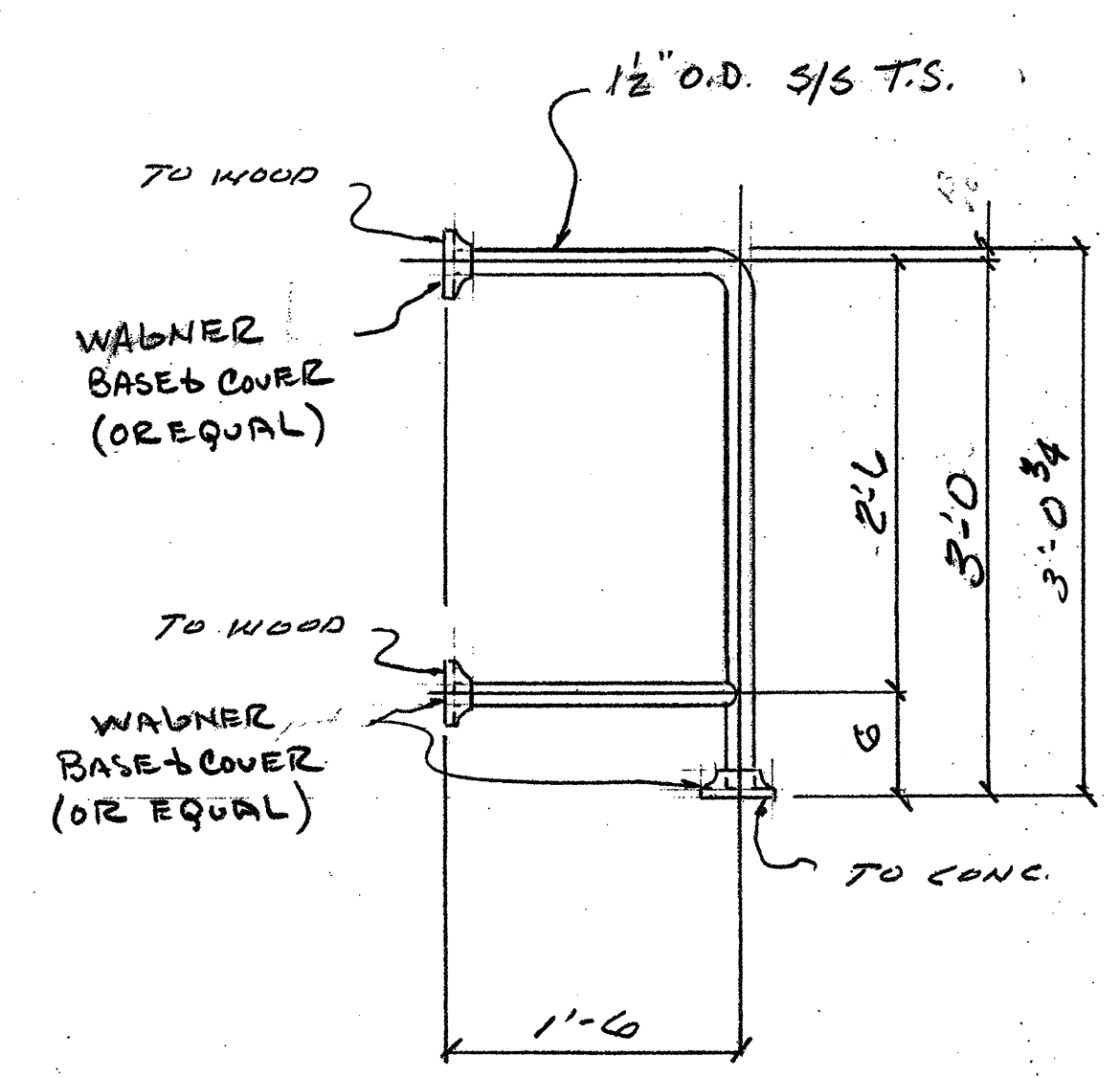
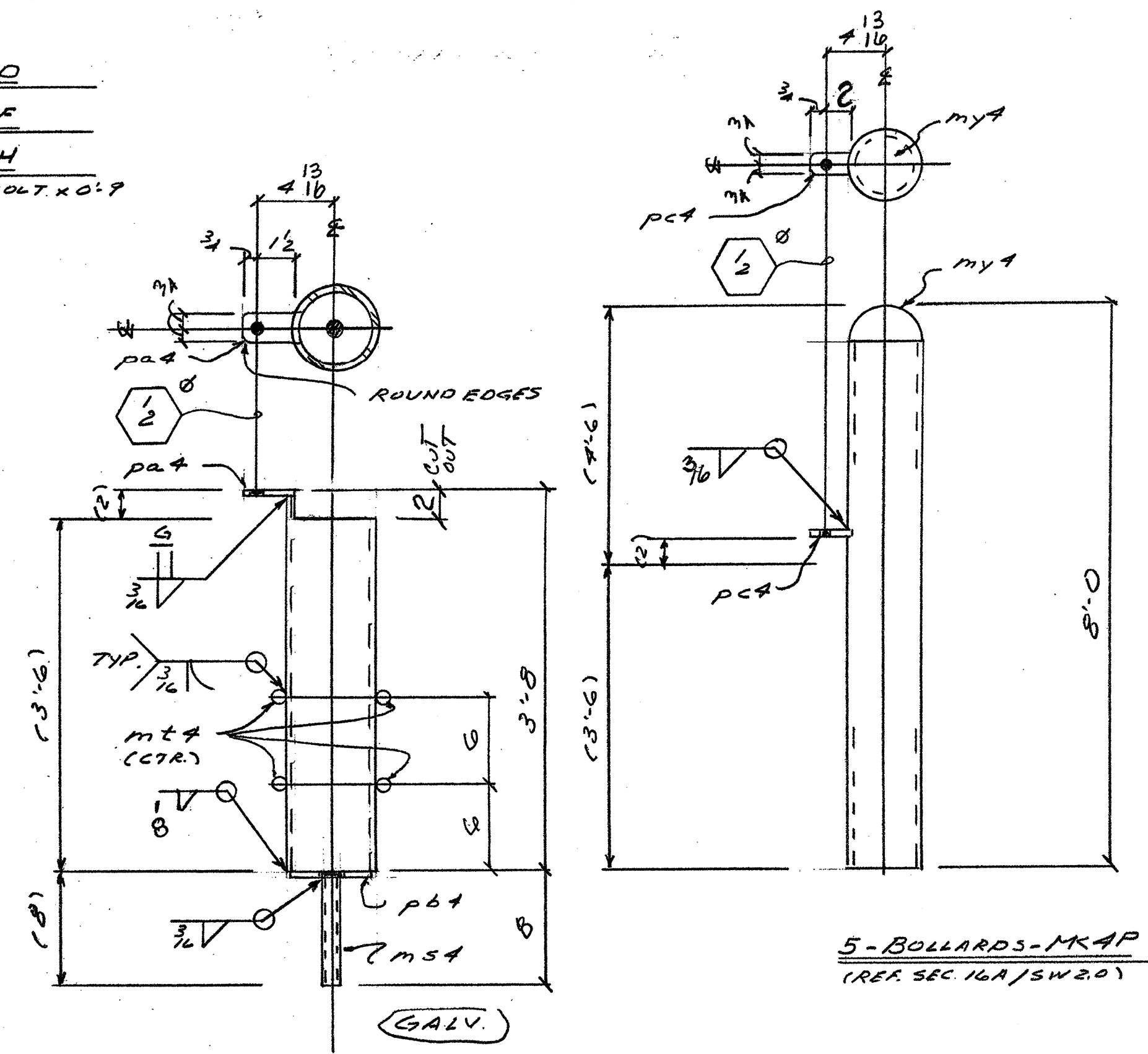


ONE - RAIL - MK 4D
 ONE - RAIL - MK 4F
 ONE - RAIL - MK 4H
 (12) 3/8" GALV. CARR. BOLT X 6" P
 W/C.W.



8 - GUARDRAILS - MK 4K
 (REF. SEC. BE/SW2.1a)
 TYPE 304 S/S
 # 4 SATIN FINISH



5 - PIPE SLEEVES - MK 4M
 (REF. SEC. KA/SW2.0)

BILL OF MATERIAL						
QTY	PC MARK	QTY	DESCRIPTION	LENGTH FT.	REMARKS	ASC WTS.
4D	ONE	20	C6x8.2	1	GALV.	
4F	ONE	14	3 3/8"			
4H	ONE	11	2 3/8"			
4K	8		GUARDRAILS			5.5
	24		WAGNER #2023B			5.5
	24		2023B			5.5
		12	O.D. T.S.	40		5.5
4M	5		6\"/>			

REV. NO.	DESCRIPTION	DATE	BY
A	for approval	3-7-02	
O	RELEASE 4M & 4P FOR FAB	5/30/02	JF
1	RELEASE RAILS 4K FOR FAB	6/11/02	JF
B	REVISE AND RESUBMIT	4/29/03	LK

AS-BUILTS

NORTH WIND CONTRACTORS
 415 E. 10TH STREET
 PITTSBURG, CA 94565

REFERENCE:
 DESIGN: SW2.1a & SW2.2
 ERECTION: E1

CONTRACTOR: GONZALEZ & STRONK
 "GATES, RAILS & PIPE BOLLARDS"

WELD INSPECTION:
 REQUIRED: YES X NO
 AGENCY: DCT
 PHONE NO.: 967-6982

SCALE: 1-650
 DRAWN BY: JHS
 DATE: 3/5/02
 CHECKED BY: JHS
 DATE: 3/5/02

REV. JOB NO.: 02-15
 DATE: 3/5/02
 DRAWING NO.: D4