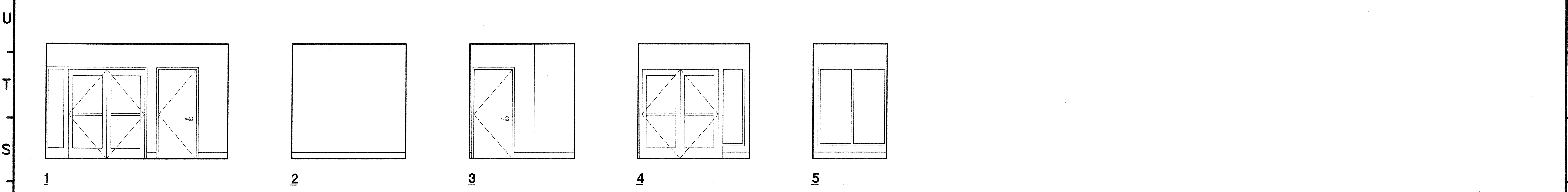
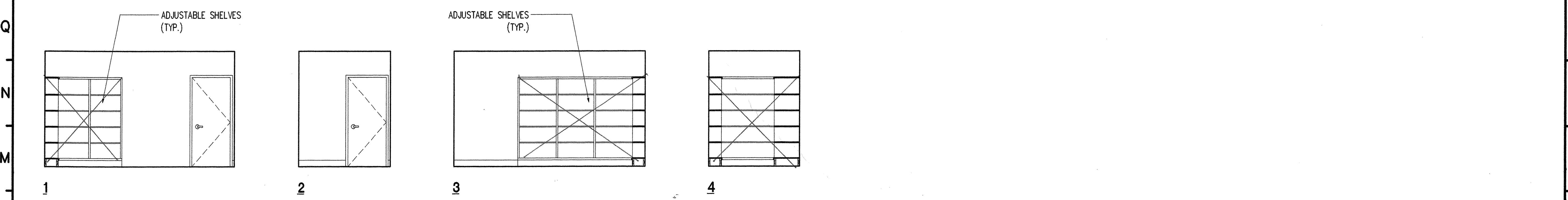


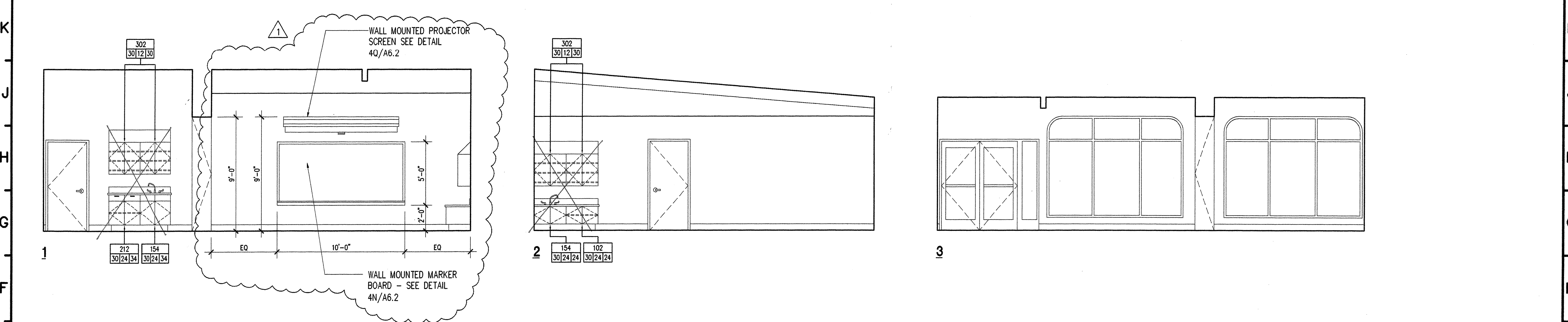
20 19 18 17 16 15 14 13 12 11 10 9 8 7 6 5 4 3 2 1



20R VESTIBULE - 36
1/4" = 1'-0"



20L STORAGE - 38
1/4" = 1'-0"



20A CLASS/LAB/WORKROOM - 40/41
1/4" = 1'-0"

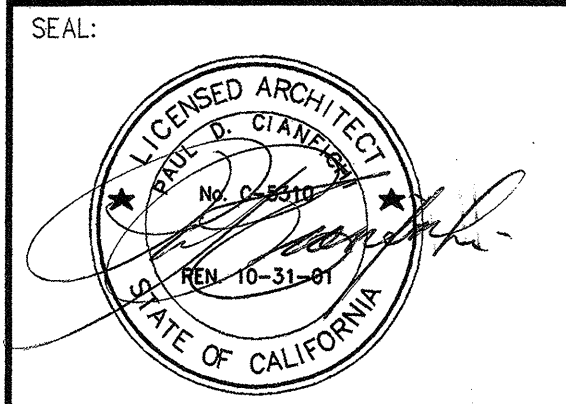


20A CLASS/LAB/WORKROOM - 40/41
1/4" = 1'-0"

20 19 18 17 16 15 14 13 12 11 10 9 8 7 6 5 4 3 2 1

NO.	DATE	REASON	BY
1	10/15/01	ADDENDUM #1	

ISSUE FOR PROGRESS REVIEW 01/15/01
 ISSUE FOR PLAN CHECK 01/25/01
 ISSUE FOR FINAL REVIEW 05/09/01
 ISSUE FOR BID
 ISSUE FOR CONSTRUCTION



CONSULTANT:
 ARCHITECT:
 CONSULTANT:

ARCHITECT:
CIANFICHI
 ARCHITECTURE - PLANNING
 30 ANNE COURT
 WALNUT CREEK, CA 94598
 TEL: (925) 925-8638
 FAX: (925) 256-8652

PROJECT:
CHILD DEVELOPMENT CENTER
CANADA COLLEGE
 4200 FARM HILL BLVD.
 REDWOOD CITY, CA 94061

SAN MATEO COUNTY COMMUNITY COLLEGE DISTRICT
 STAMP:
 APPROVED
 DIV OF THE STATE ARCHITECT
 AC BR FILS BY SS MY
 APPL NO. 211035 OF DATE 3/1/02
 APPL. NUMBER:
 KEY PLAN:

SHEET TITLE:
INTERIOR ELEVATIONS

DRAWN BY:
 GL
 PROJECT NO.:
 304.99

CHECKED BY:
 BA
 DATE:
 01-25-2001
 APPL NO.:
 SHEET:
A4.9a
 DATA NO.:
 NO. OF:

AS-BUILTS

33