

PACK SPACE BETWEEN PIPING AND PENETRATION OPENING WITH MATERIAL APPROVED BY UNDERWRITERS LABORATORIES FOR THROUGH PENETRATION FIRE STOP SYSTEMS, MATERIALS, METHODS, AND INSTALLATION SHALL BE IN ACCORDANCE WITH UL APPROVED LISTING AND SHALL BE DESIGNED TO ACT AS A FIRESTOP AS WELL AS A COLD SMOKE, NOXIOUS GAS AND WATER SEALANT. SUBMIT LISTING NUMBERS AND DETAILS FROM UL FIRE RESISTANT DIRECTORY FOR ALL SUCH SYSTEMS TO BE USED. INSULATE PIPES 3 FEET TO EITHER SIDE OF PENETRATION WITH MATERIAL SPECIFIED IN THE UL FIRE RESISTANCE DIRECTORY IF REQUIRED TO OBTAIN THE T- AND F- RATINGS.

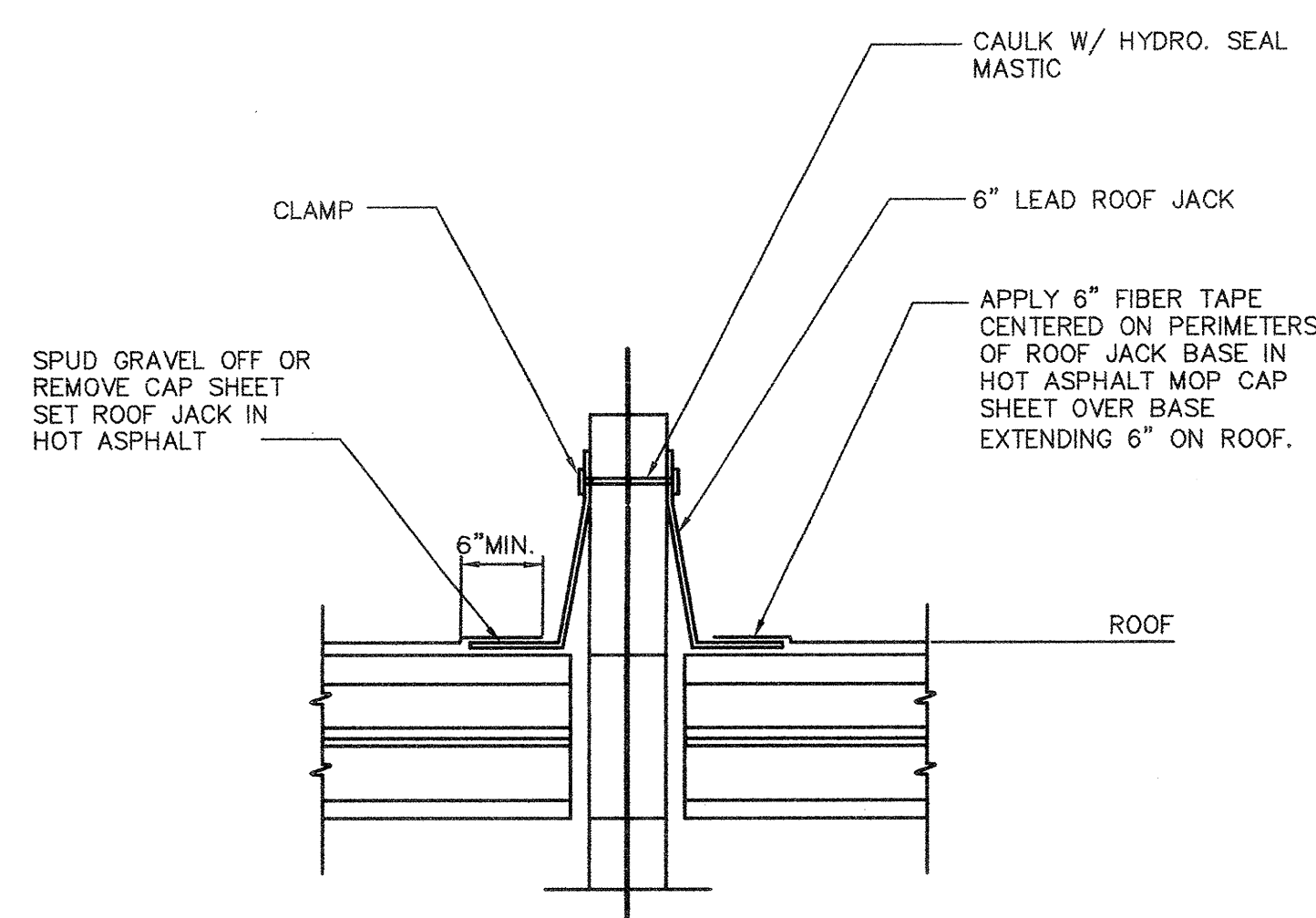
- 1 WALL AND FLOOR
- 2 PIPE OR INSULATED PIPE
- 3 FIRE BARRIER - "3M PRODUCTS INC." FIRE BARRIER CAULK CP25 WB+, CP 25WB, CP 25 N/S AND S/L, FIRE BARRIER 2000+, 2000 AND 2003 SILICONE SEALANTS, MOLDABLE PUTTY.

USE FOLLOWING APPLICABLE UL SYSTEMS FOR THE CONSTRUCTION TYPES LISTED.

CONSTRUCTION TYPE	THROUGH PENETRATION FIRESTOP SYSTEM NUMBERS
CONCRETE FLOORS	CAJ1007 (F-2, 3, 4 HR; T-0 HR), CAJ1010 (F-2 HR; T-0 HR), CAJ1012 (F-1 HR; T-0 HR), CAJ1017 (F-2, 3 HR; T-0 HR), CAJ1021 (F-3 HR; T-0, 1.5 HR), CAJ1027 (F-3 HR; T-0 HR), CAJ1044 (F-2, 3, 4 HR; T-0 HR), CAJ1058 (F-3 HR; T-3 HR), CAJ1063 (F-3 HR; T-0.5 HR), CAJ1112 (F-2 HR; T-0 HR), CAJ1175 (F-2 HR; T-0 HR), CAJ5001 (F-1.5, 2, 3 HR; T-0, 0.5, 0.75, 1 HR), CAJ5002 (F-2, 3 HR; T-0, 0.5, 1 HR), CAJ5003 (F-2 HR; T-0.5, 1 HR), CAJ5024 (F-2, 3 HR; T-1, 1.5 HR), CAJ5060 (F-2, 3 HR; T-0, 0.75, 1, 1.5 HR), CBJ1020 (F-4 HR; T-0, 0.75, 1.5 HR)
CONCRETE OR MASONRY WALLS	CAJ1001 (F-3 HR; T-0 HR), CAJ1017 (F-2, 3 HR; T-0 HR), CAJ1021 (F-3 HR; T-0, 1.5 HR), CAJ1027 (F-3 HR; T-0 HR), CAJ1044 (F-2, 3, 4 HR; T-0 HR), CAJ1058 (F-3 HR; T-0 HR), CAJ1063 (F-3 HR; T-0.5 HR), CAJ1112 (F-2 HR; T-0 HR), CAJ1175 (F-2 HR; T-0 HR), CAJ5001 (F-1.5, 2, 3 HR; T-0, 0.5, 0.75, 1 HR), CAJ5002 (F-2, 3 HR; T-0, 0.5, 1 HR), CAJ5003 (F-2 HR; T-0.5, 1 HR), CAJ5024 (F-2, 3 HR; T-1, 1.5 HR), CAJ5060 (F-2, 3 HR; T-0, 0.75, 1, 1.5 HR), CBJ1020 (F-4 HR; T-0, 0.75, 1.5 HR)
GYPSUM WALLBOARD/STUD WALLS	WL1001 (F-1, 2, 3, 4 HR; T-0, 1, 2, 3, 4 HR), WL1002 (F-1, 2 HR; T-0 HR), WL1003 (F-1, 2 HR; T-0 HR), WL2002 (F-1, 1.5, 2 HR; T-0.75, 1, 1.5, 2 HR), WL2003 (F-1, 2 HR; T-1, 2 HR), WL2004 (F-2 HR; T-0.75, 1.5, 2 HR), WL2005 (F-1, 2 HR; T-0, 0.75, 1, 1.5, 2 HR), WL5001 (F-1, 2 HR; T-1, 1.5 HR), WL5002 (F-1, 2 HR; T-1, 2 HR)

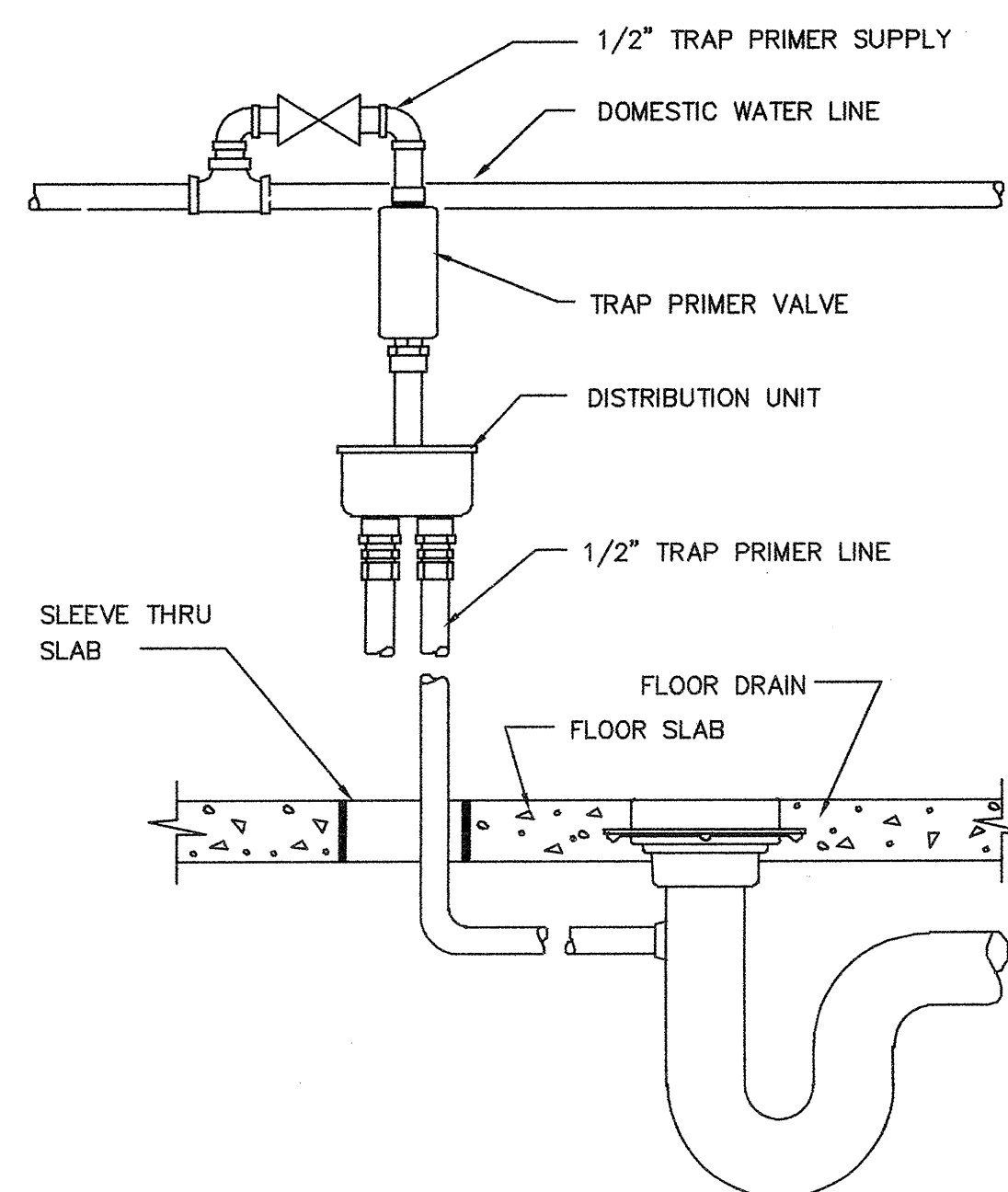
PIPE PENETRATION 7 THRU FIRE RATED BARRIER DETAIL

NO SCALE



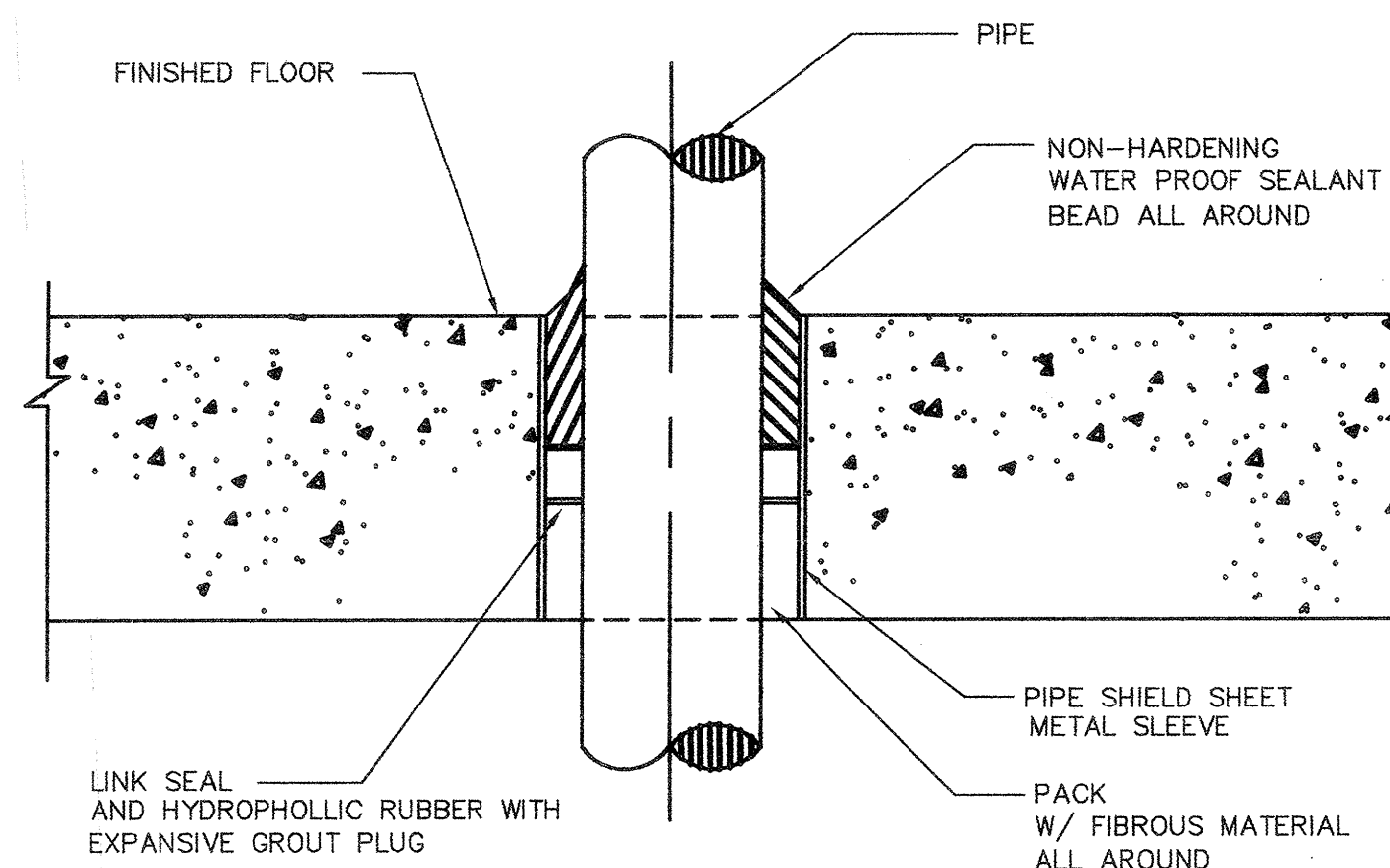
8 TYPICAL PIPE/VENT THRU ROOF DETAIL

NO SCALE



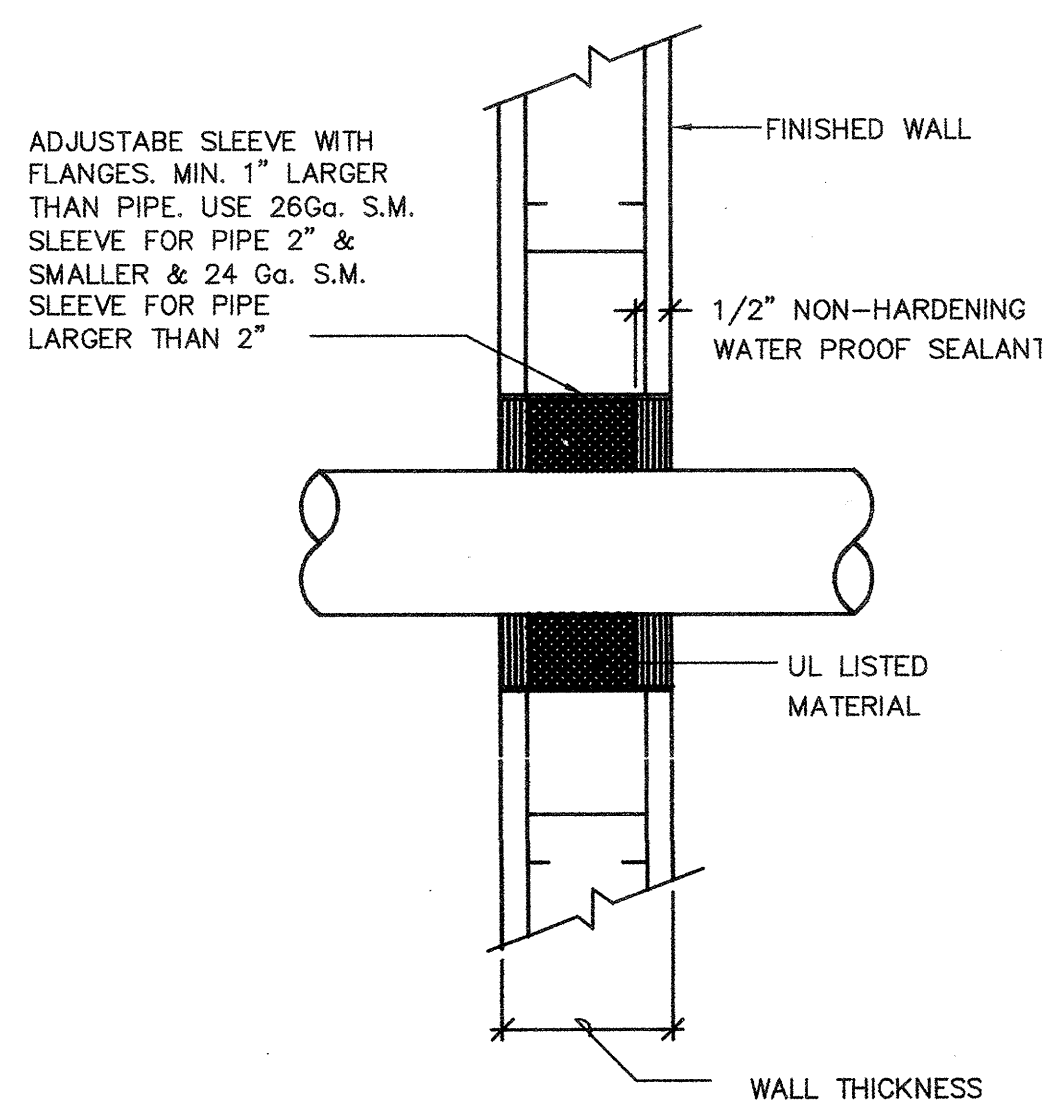
4 TRAP SEAL PRIMER DETAIL

NO SCALE



TYPICAL PIPE PENETRATION 5 THRU FLOOR SLAB ON GRADE DETAIL

NO SCALE



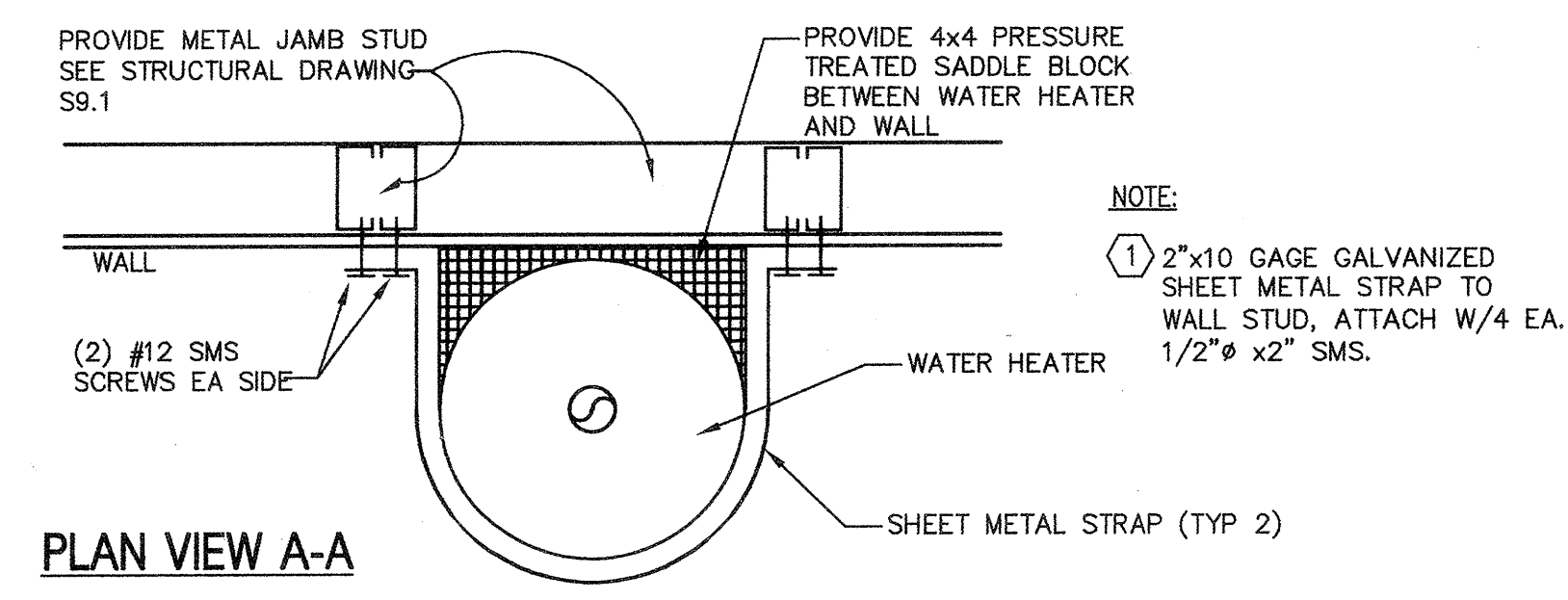
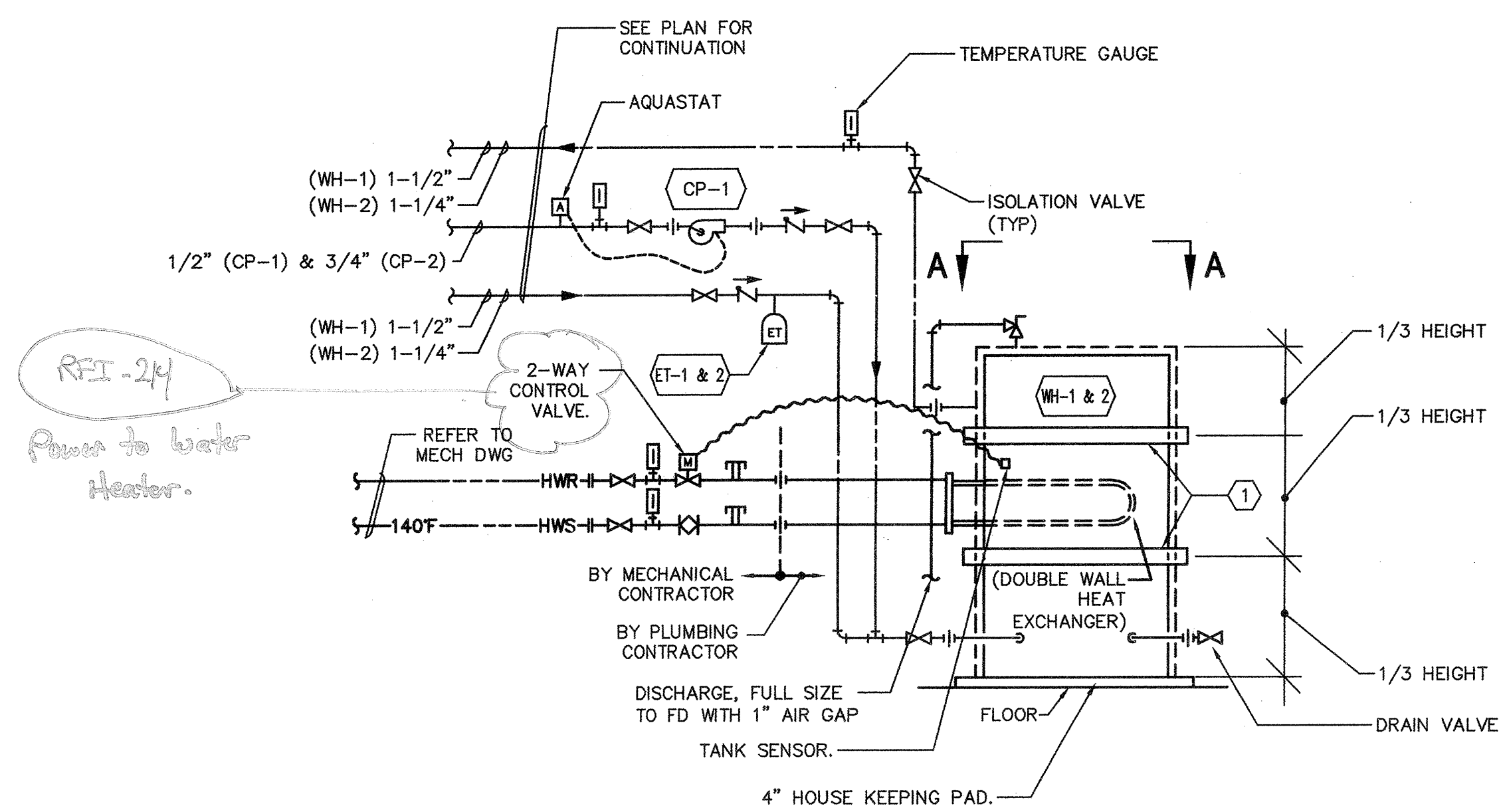
SYSTEM No. WL1003

NOTES:

- 1 STEEL SLEEVE - CYLINDRICAL SLEEVE FABRICATED FROM MIN 0.019" THICK (No28 GAUGE) GALV SHEET STEEL AND HAVING A MIN. 2" LAP ALONG THE LONGITUDINAL SEAM. LENGTH OF STEEL SLEEVE TO BE EQUAL TO THICKNESS OF WALL PLUS 1" TO 4" SUCH THAT, WHEN INSTALLED, THE ENDS OF THE SLEEVE WILL PROJECT APPROX 1/2" TO 2" BEYOND THE SURFACE OF THE WALL ON BOTH SIDES OF THE WALL ASSEMBLY.
- 2 PACKING MATERIAL - MIN 1" THICKNESS OF MINERAL-WOOL BATT INSULATION FIRMLY PACKED INTO STEEL SLEEVE ON BOTH SIDES OF THE WALL ASSEMBLY AS PERMANENT FORMS. PACKING MATERIAL TO BE RECESSED MIN. 1/2" FROM END OF STEEL SLEEVE (FLUSH WITH OR RECESSED INTO GYPSUM WALLBOARD SURFACE) ON BOTH SIDES OF WALL ASSEMBLY.

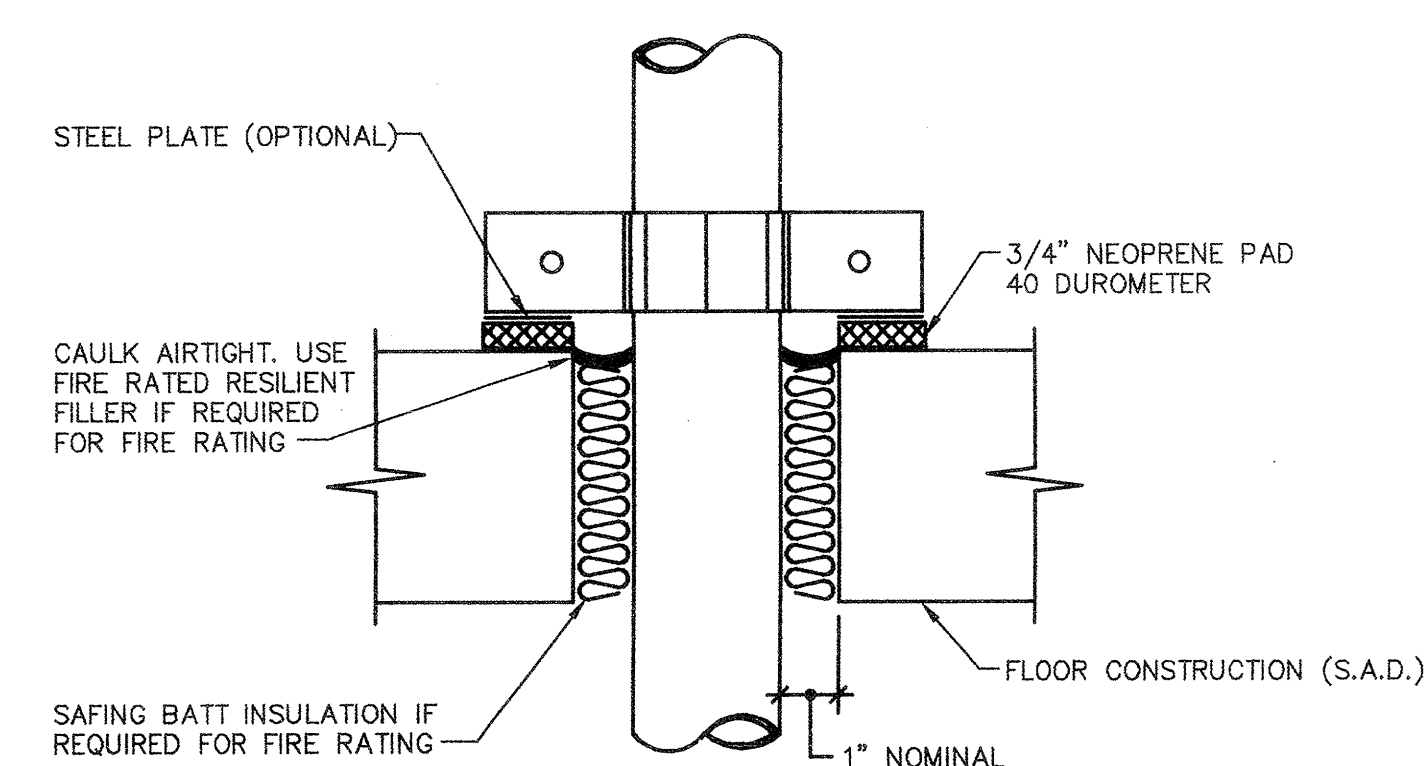
6 TYPICAL WALL PENETRATION DETAIL (BARE PIPE)

NO SCALE



1 WATER HEATER DETAIL

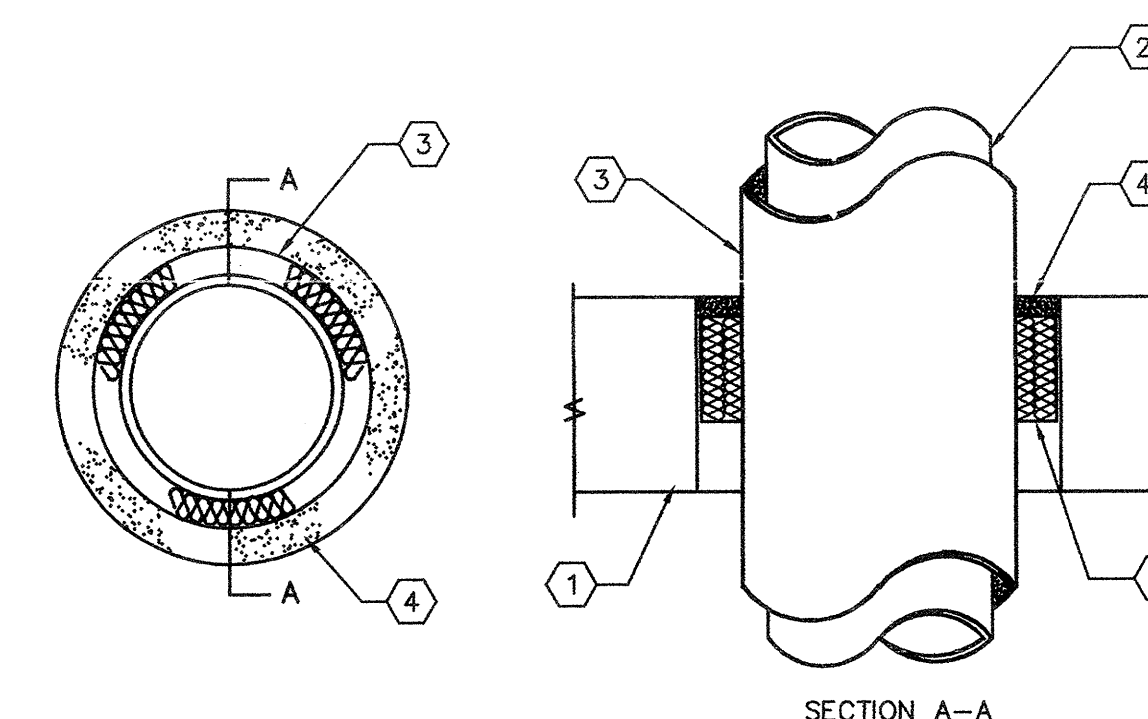
NO SCALE



NOTE: IF PIPE IS SUSPENDED FROM OR DIRECTLY ATTACHED TO STRUCTURE OR OTHER BUILDING ELEMENTS, USE 1/2" THICK, 40-DUROMETER NEOPRENE AS SLEEVE BETWEEN PIPE AND PIPE COLLAR. MAXIMUM WEIGHT OF 400LBS.

2 PIPE ISOLATION AT FLOOR PENETRATION

NO SCALE



NOTES:

- 1 FLOOR ASSEMBLY.
- 2 PIPE.
- 3 FIRESTOP SYSTEM PER ASTM E814/UL1479.
- 4 PENETRATION OPENING PER ANNUAL SPACE REQUIREMENTS FOR SELECTED SYSTEM.

TYPICAL PIPE 3 PENETRATION THRU FLOOR DETAIL

NO SCALE

Burton Clifford Associates, Inc.
210 Hammond Ave.
Fremont, California 94539
[T] 510.445.1000
[F] 510.445.1005
www.BCAincOnline.com

PROJECT 2007-0731
CONTACT Omar Hawit
INTERFACE
ENGINEERING
717 Market Street
Suite 500
San Francisco, CA 94103
TEL 415.488.7240
FAX 415.488.7288
www.interfaceengineering.com

ARCHITECT	ENGINEER

GENERAL NOTES
1. This sheet is part of a set and is not to be used alone.
2. This sheet is not to be used for construction unless the architect's stamp and signature appear on the drawings and the status box indicates drawings have been released for construction.
3. These plans and prints thereof, as instruments of service, are owned by the architect and are for use on this project only. Reproduction and/or distribution without the prior written consent of the architect is forbidden.
4. Copyright Burton Clifford Associates, 2007.

REMARKS	DATE

DRAWING STATUS	DATE
<input type="radio"/> USA PLAN CHECK	
<input type="radio"/> USA BACK CHECK	
<input type="radio"/> BIDDING (BID #86623)	
<input type="radio"/> CONSTRUCTION	

FILE NO. 41-C1
IDENTIFICATION STAMP
DIV. OF THE STATE ARCHITECT
01-110074
AC Hawit, PLS Omar Hawit
DATE MAR 19 2009

BUILDINGS 5 & 6 RENOVATIONS
San Mateo County Community College District

DSA BACK-CHECK

CAÑADA COLLEGE
4200 Farm Hill Boulevard
Redwood City, CA 94061

PLUMBING DETAILS

Date 01/22/09
Scale AS NOTED
Project Number 07013
Drawing Number
P6.1