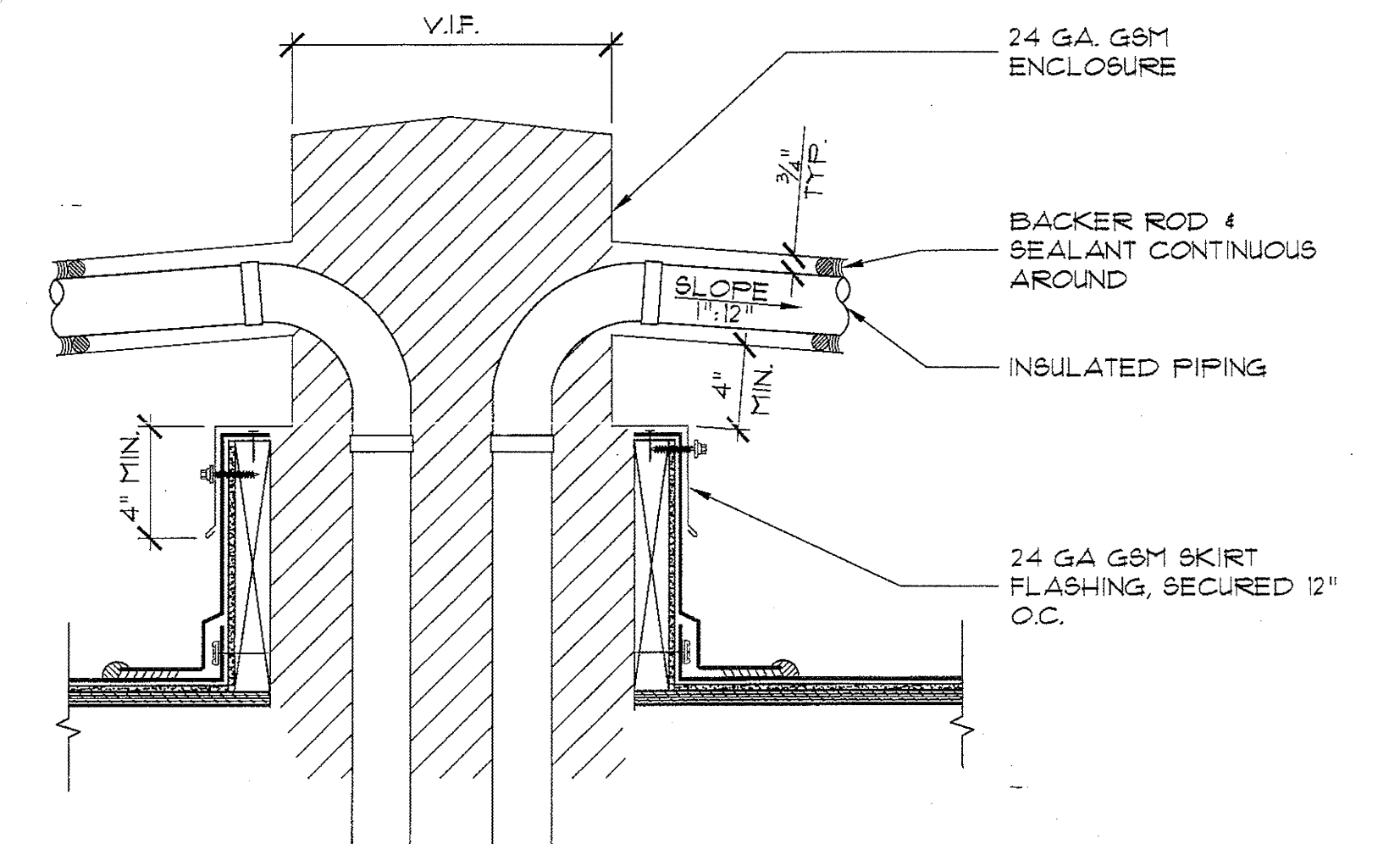


BCA Title: ROOF OPENING FRAMING Revision: Reference Dep. 024
Project Name: CANADA COLLEGE - BUILDINGS 5 & 6 RENOVATIONS Date: 09/27/10 Drawing Number:
SAN MATEO COUNTY COMMUNITY COLLEGE DISTRICT Scale: AS NOTED
4200 FARM HILL BOULEVARD
REDWOOD CITY, CA 94061 Project Number: SK-2.4/1
210 Howard Ave. Redwood City, CA 94061
Tel: 650.962.1000 Fax: 650.962.1002 File No. 43-C1 APPL. 01-110074

RFI-174



MULTIPIPE ENCLOSURE

SCALE: N.T.S.

RFI - 174