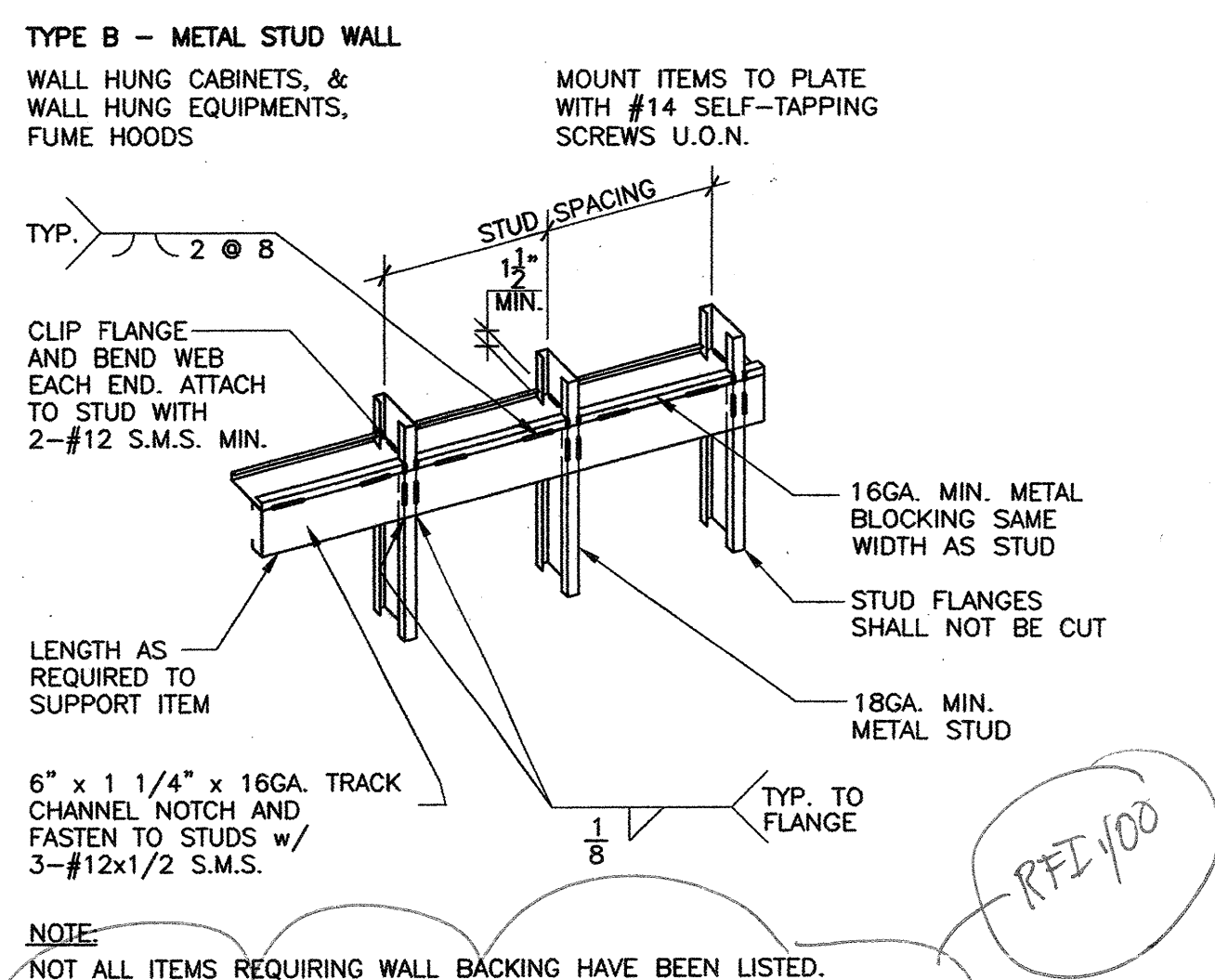
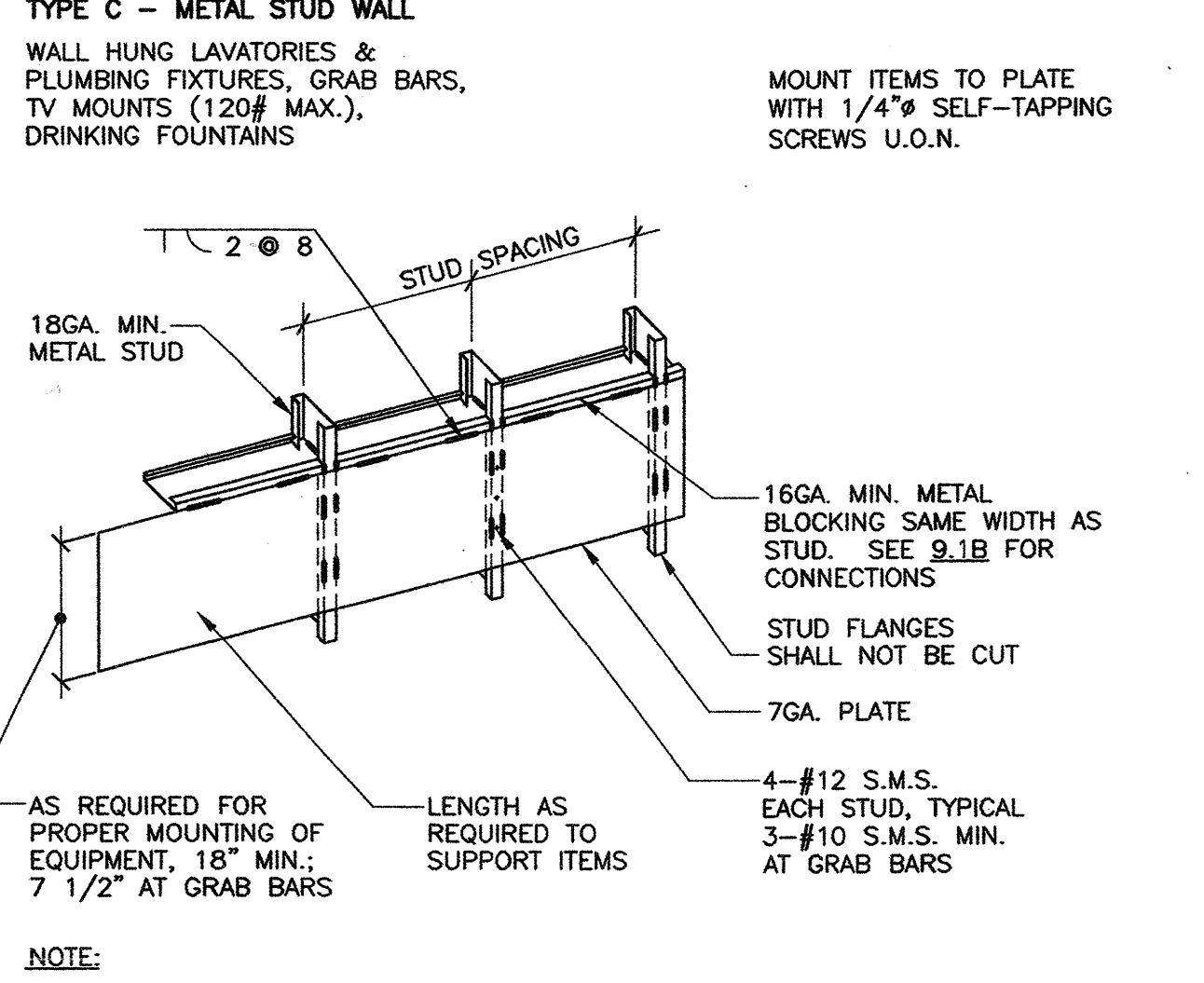


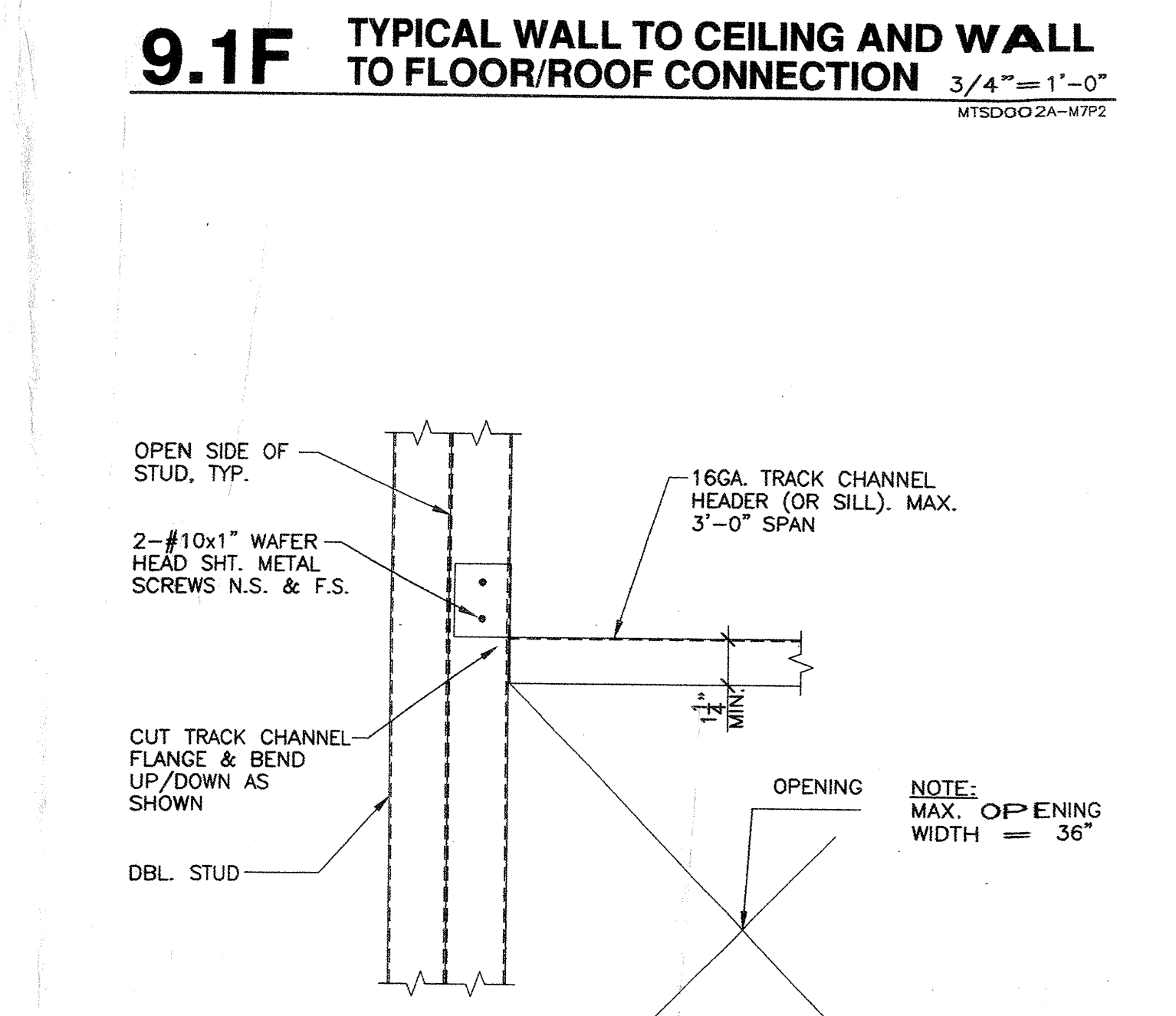
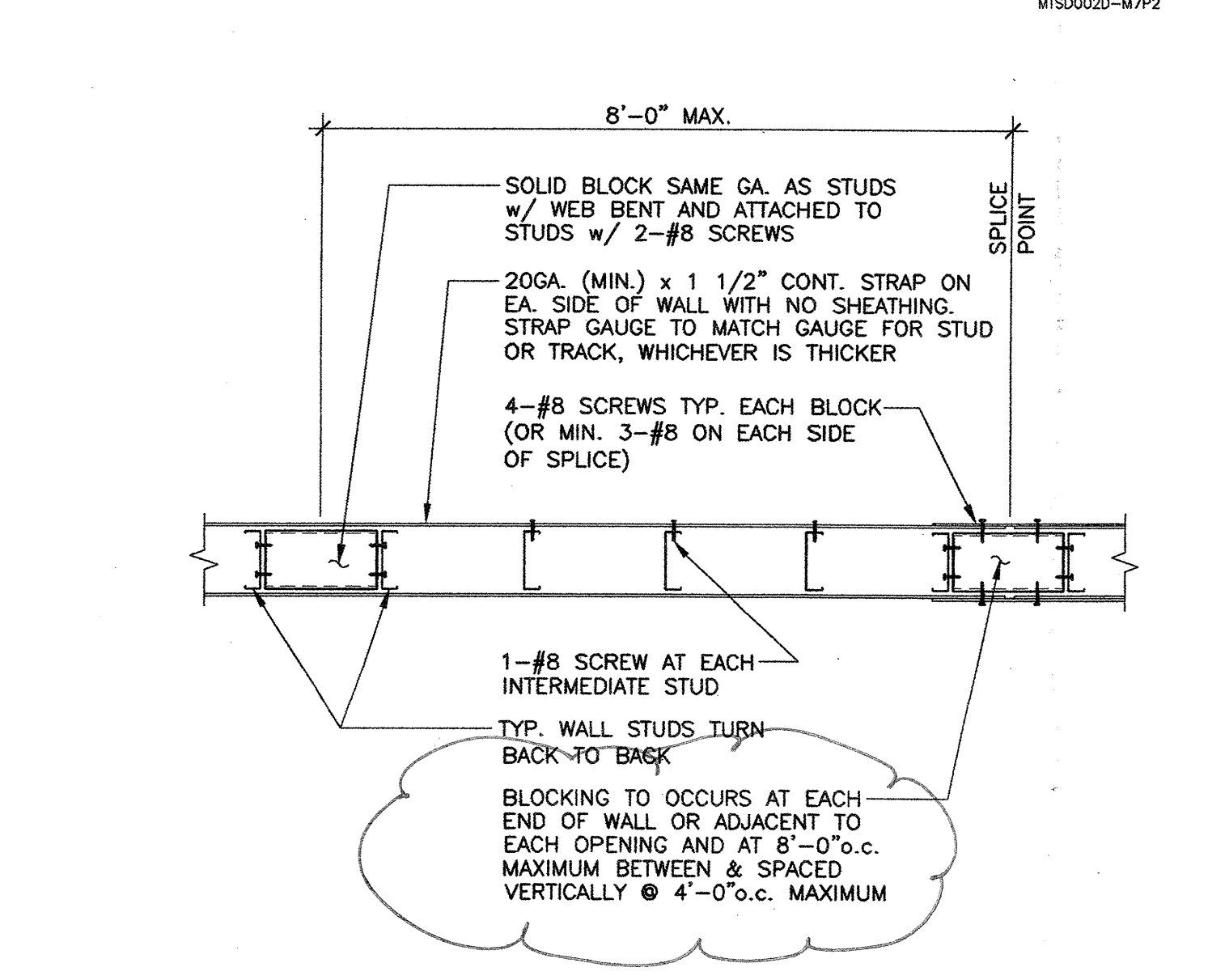
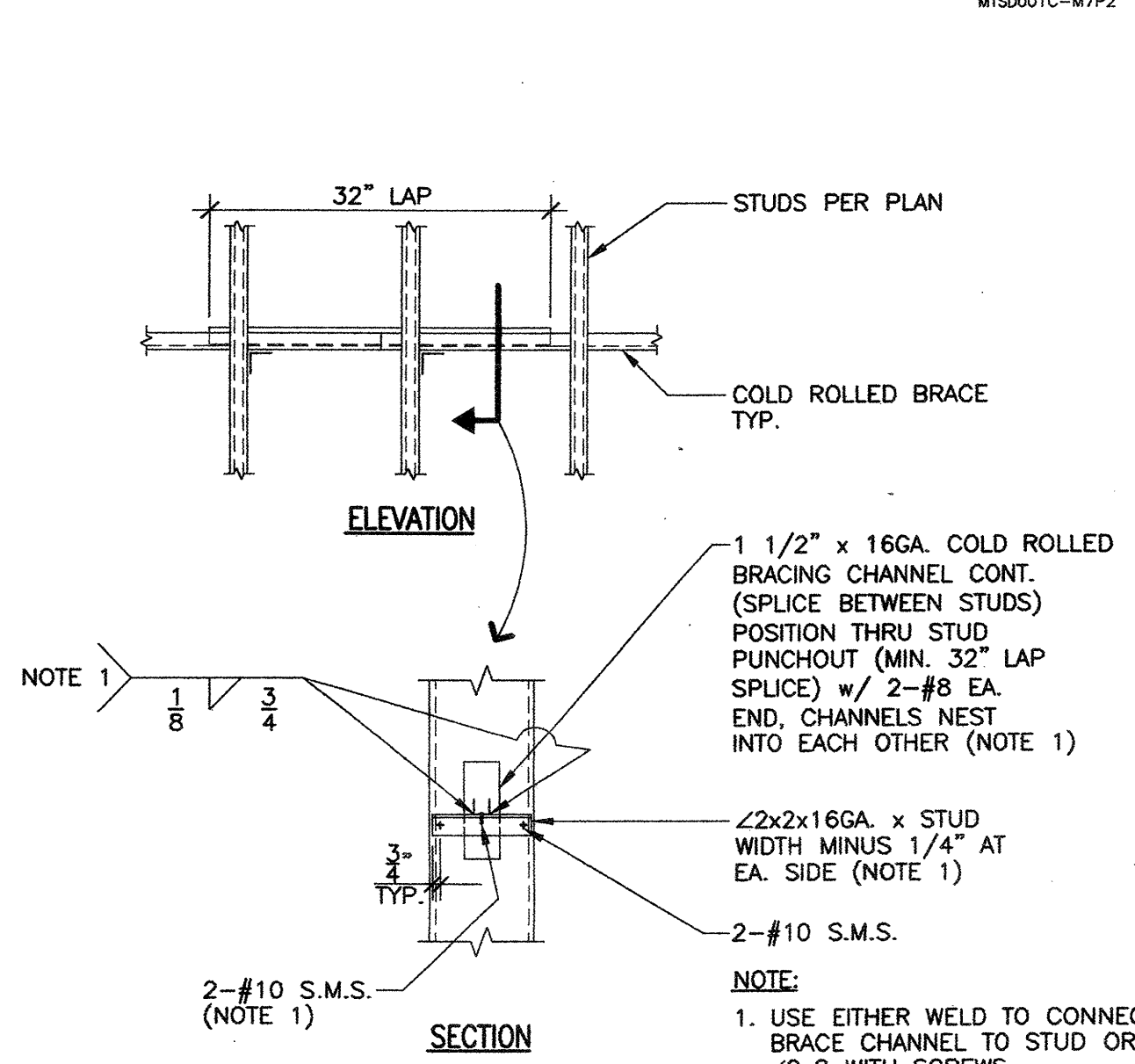
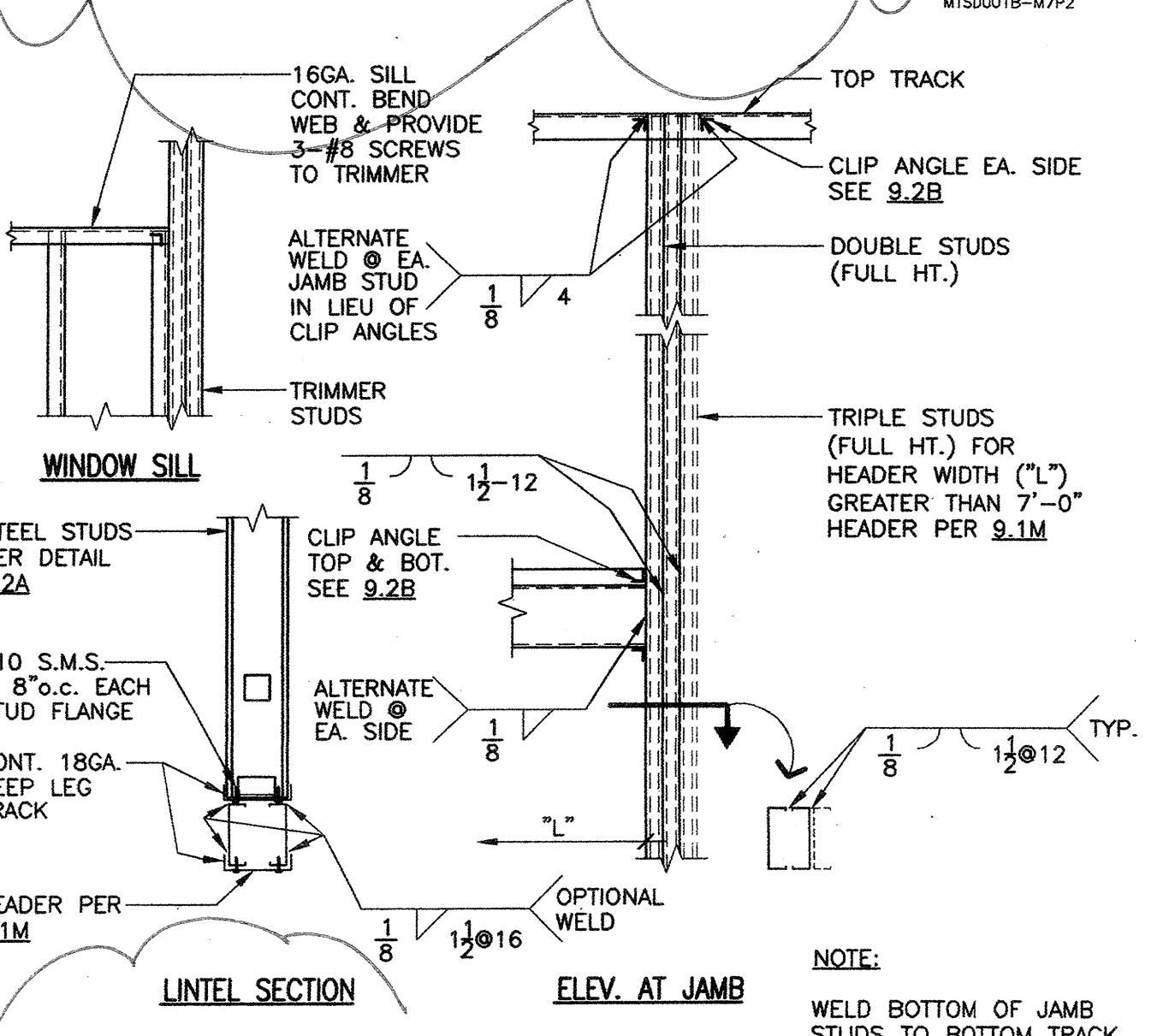
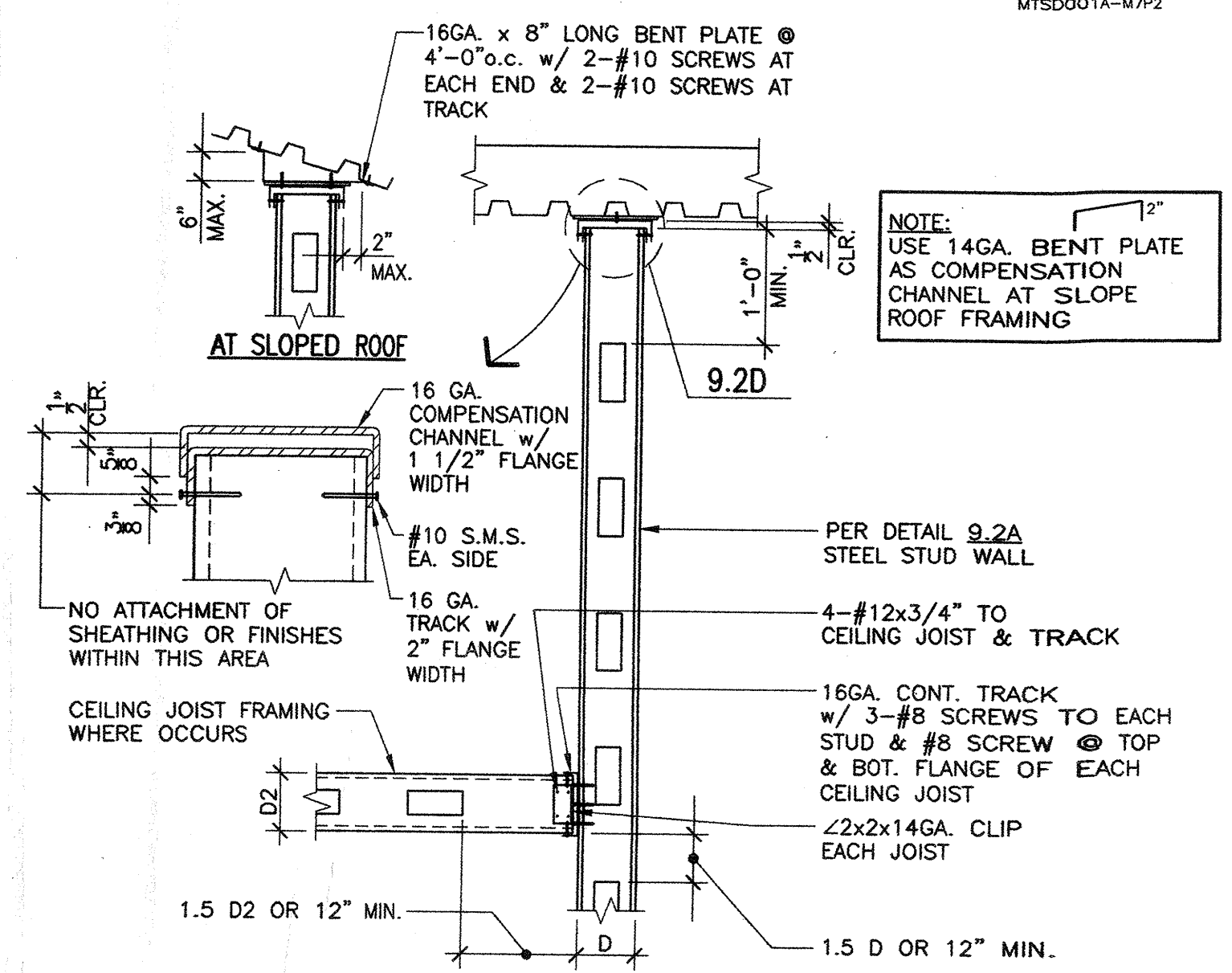
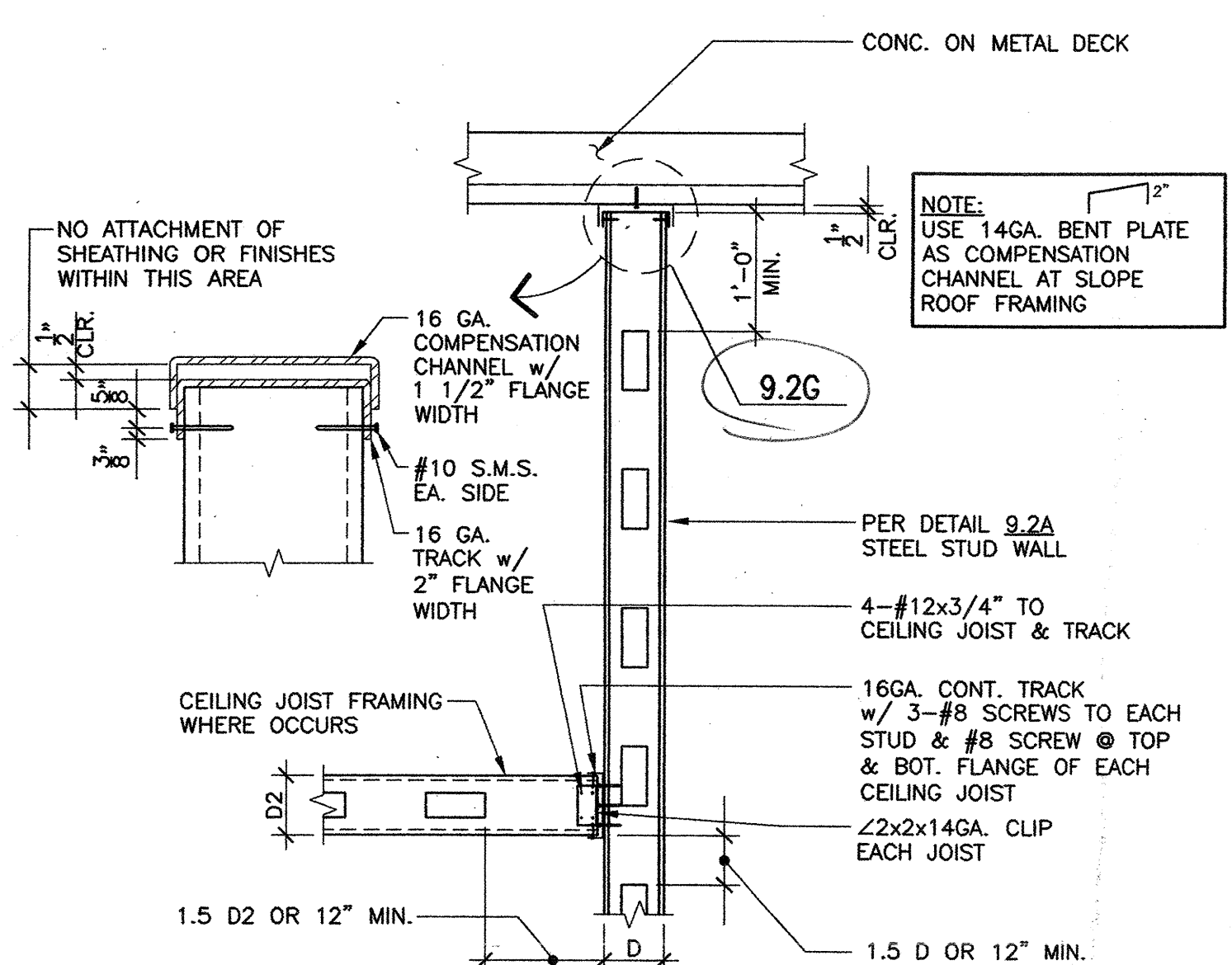
9.1A BACKING PLATE SCHEDULE 1/2"=1'-0"
M15D001A-M7P2



9.1B BACKING PLATE SCHEDULE 1/2"=1'-0"
M15D001B-M7P2

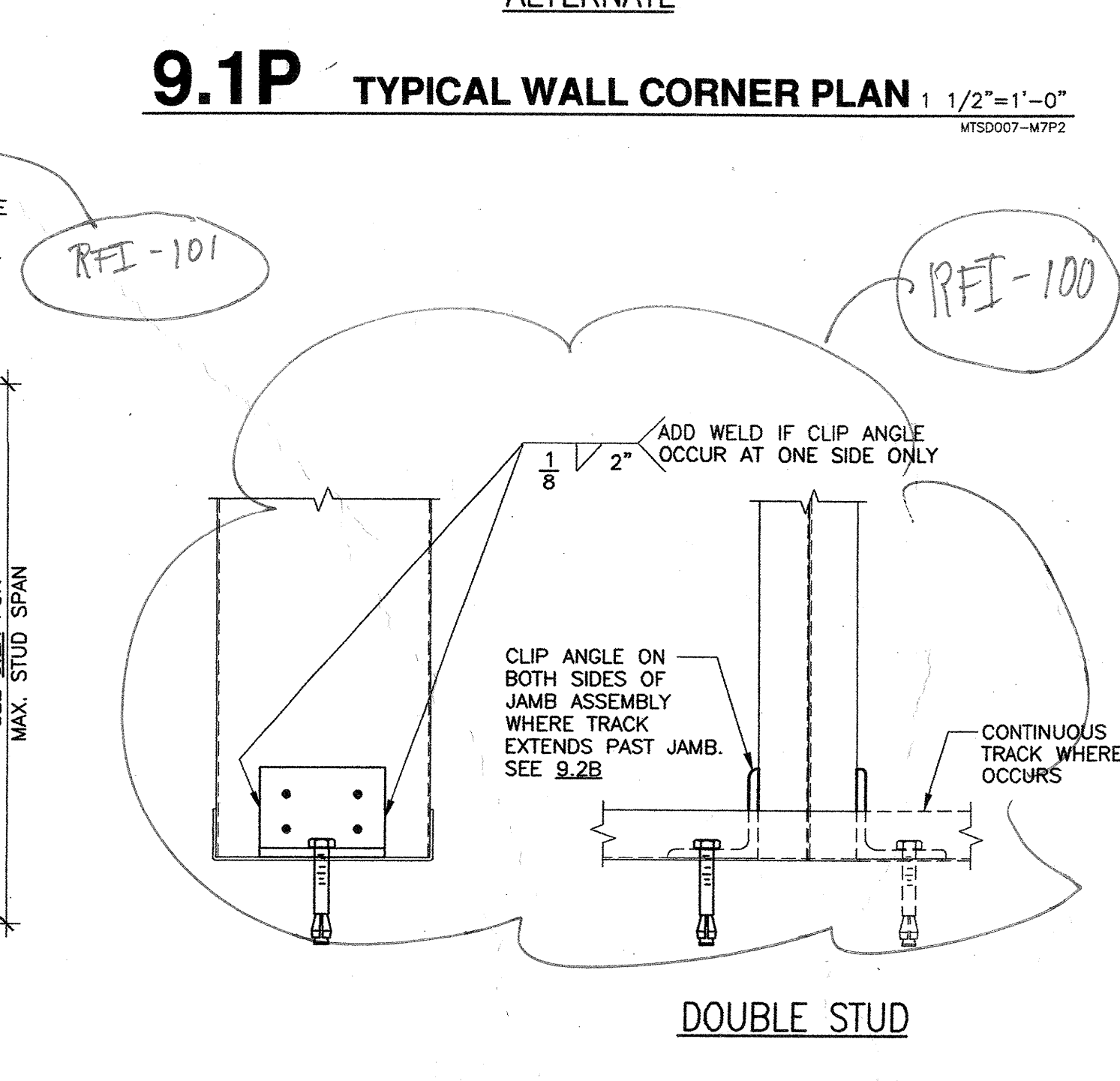
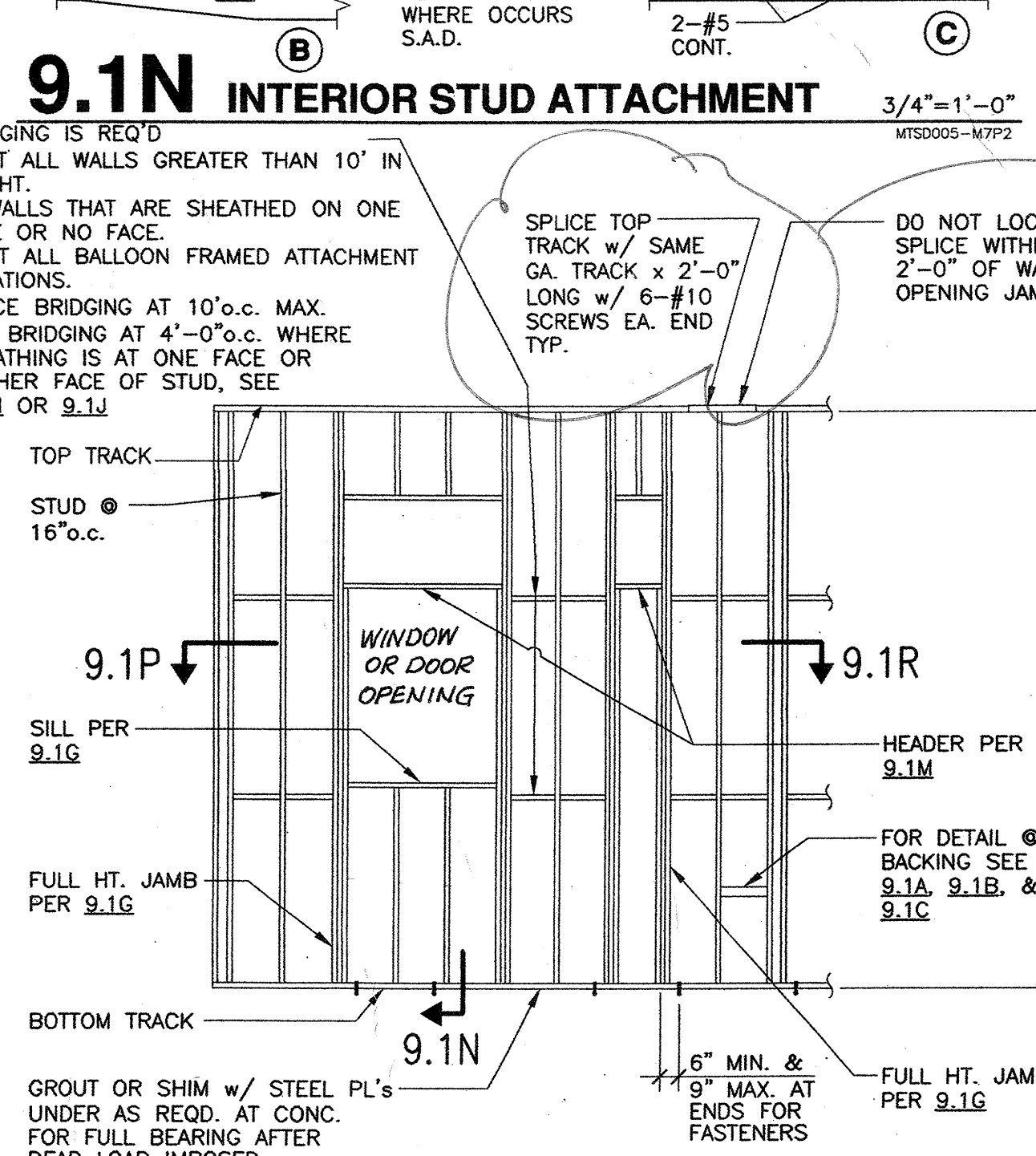
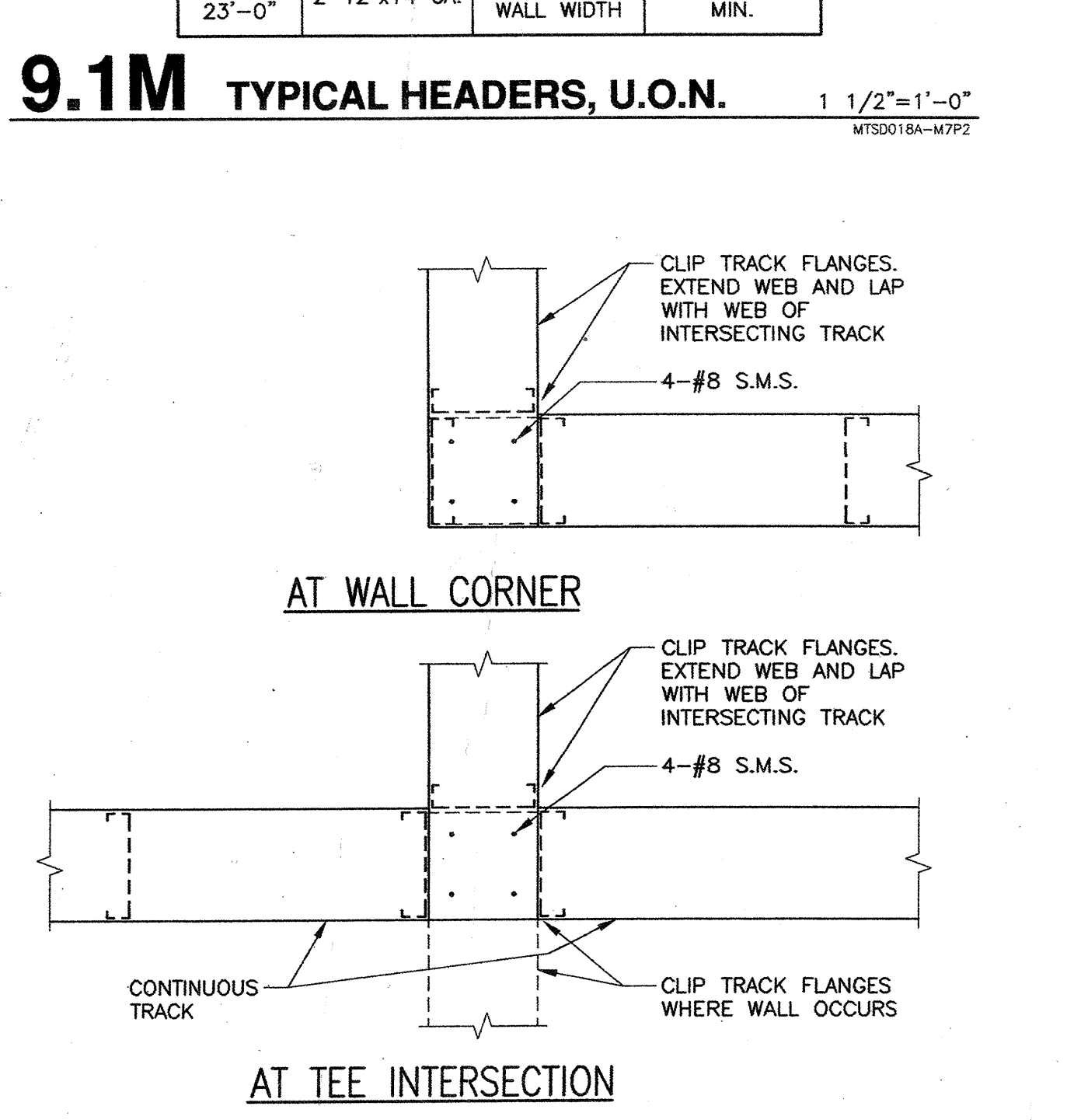
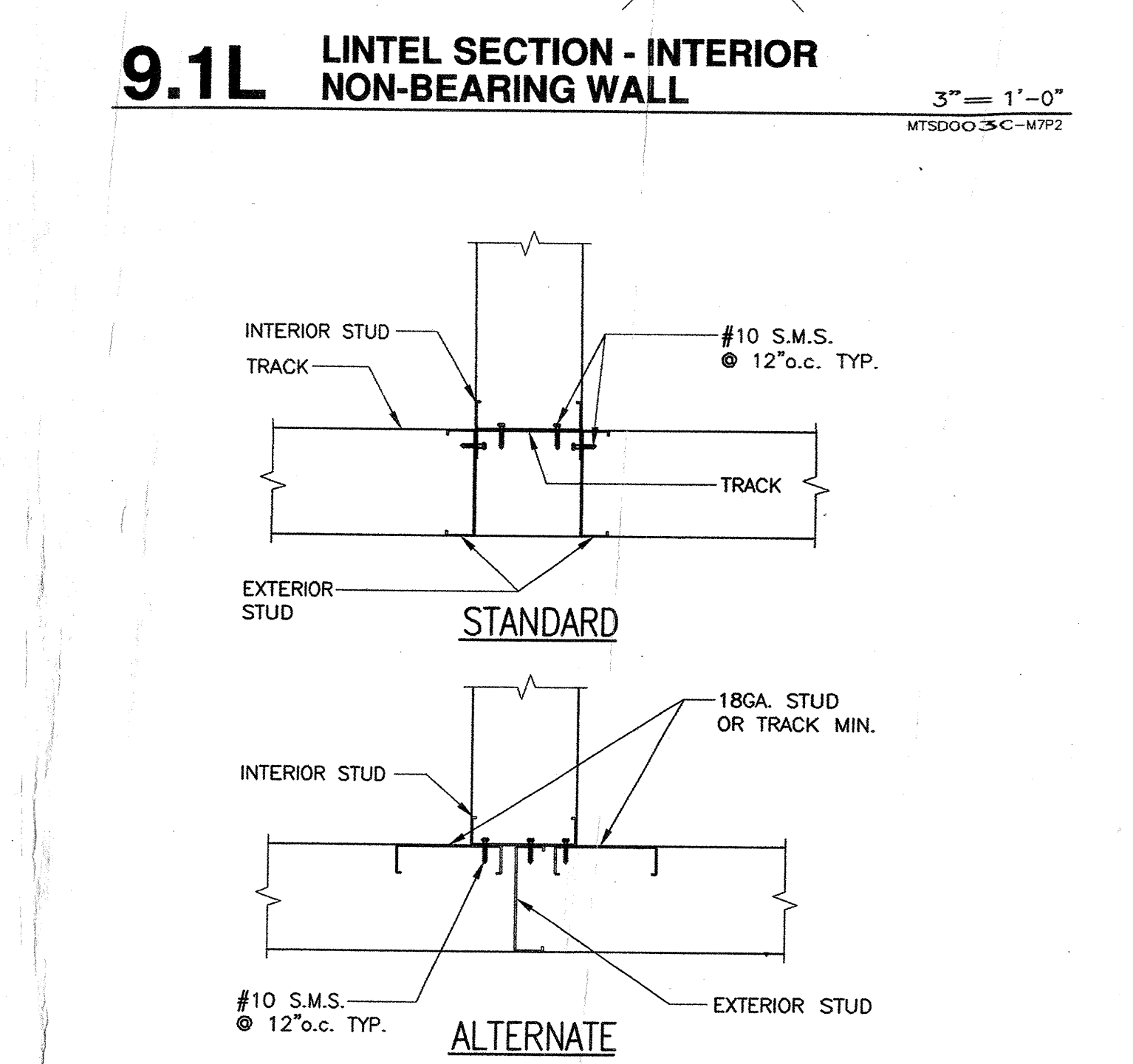
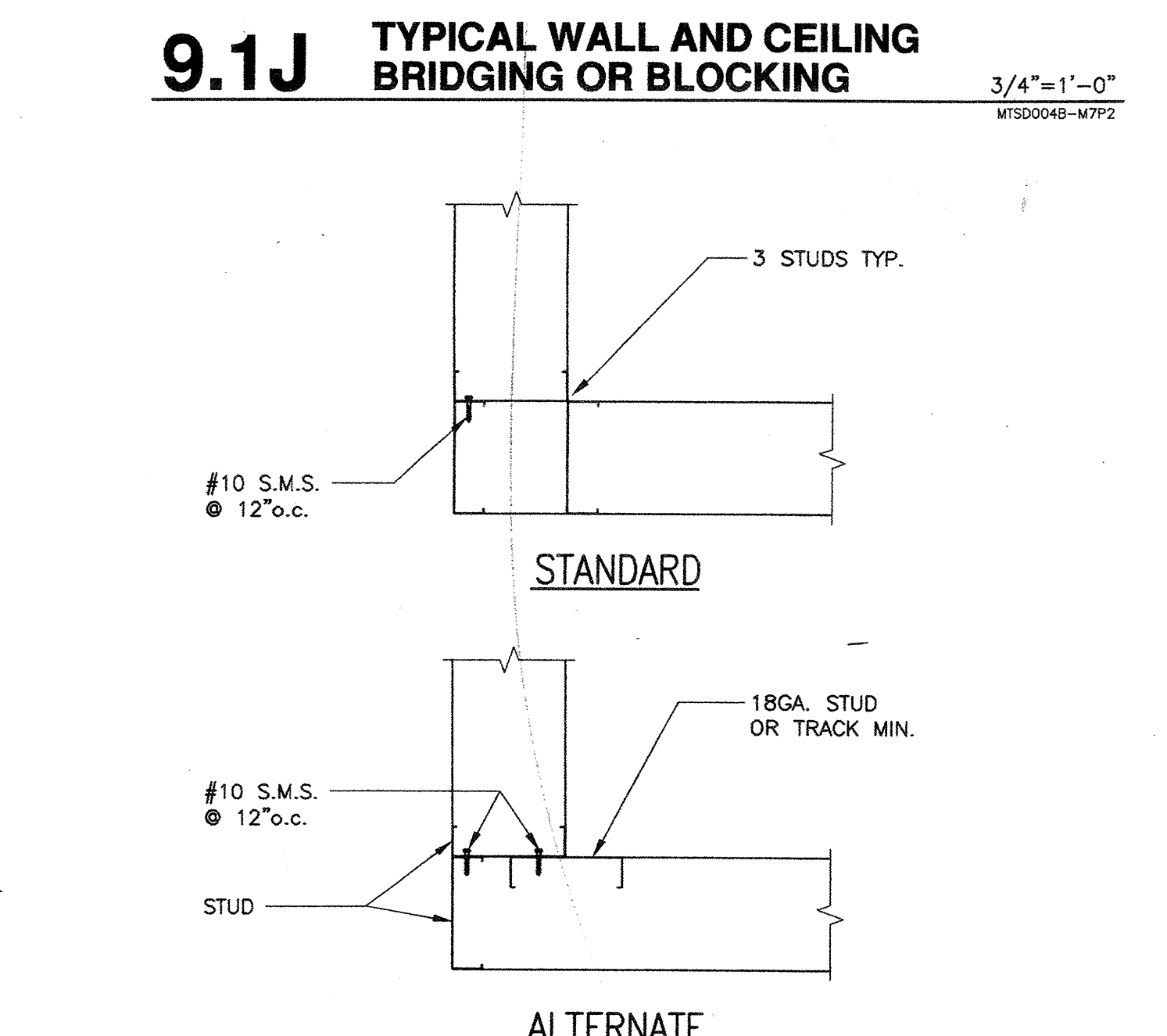
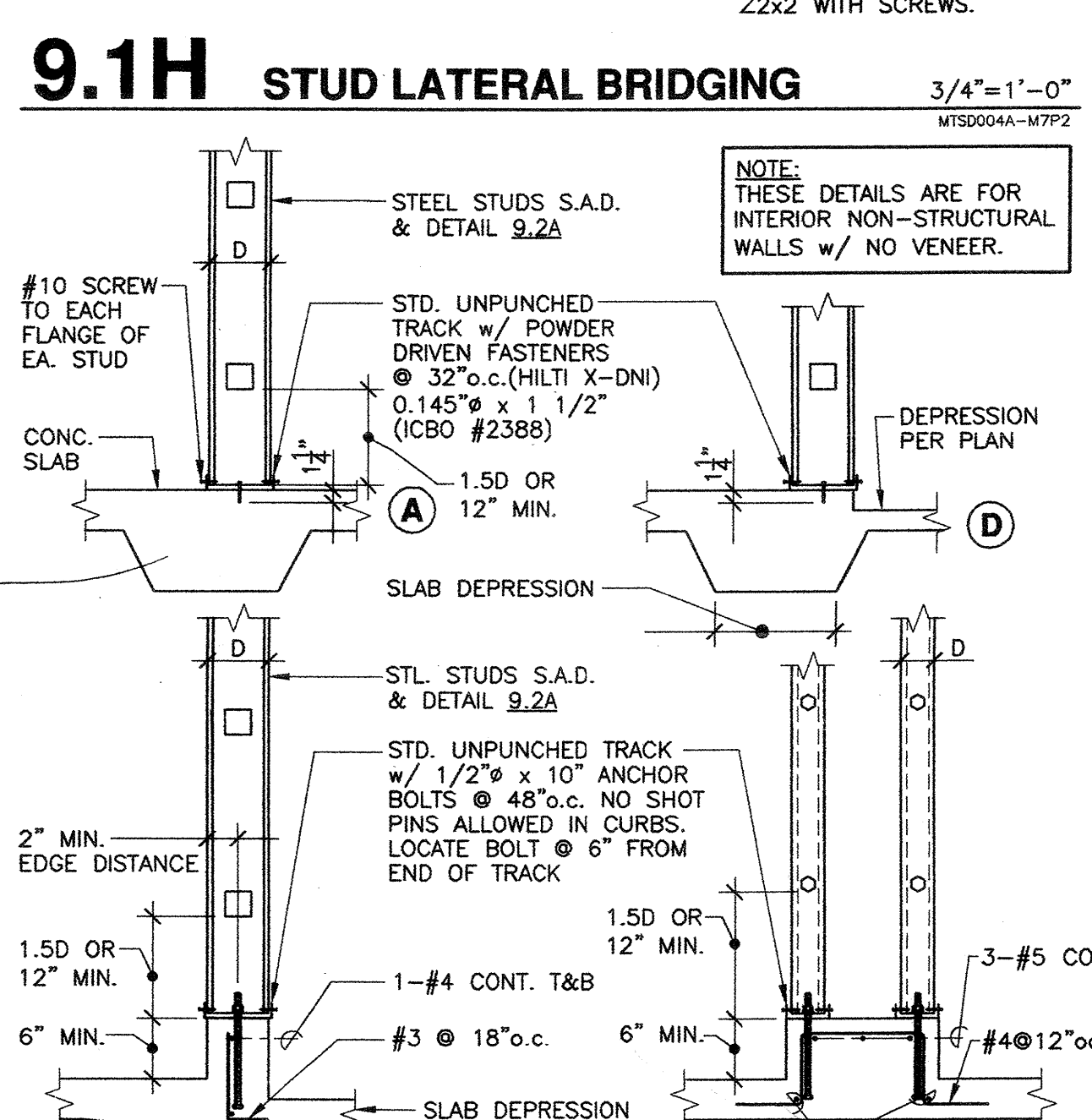


9.1C BACKING PLATE SCHEDULE 1/2"=1'-0"
M15D001C-M7P2

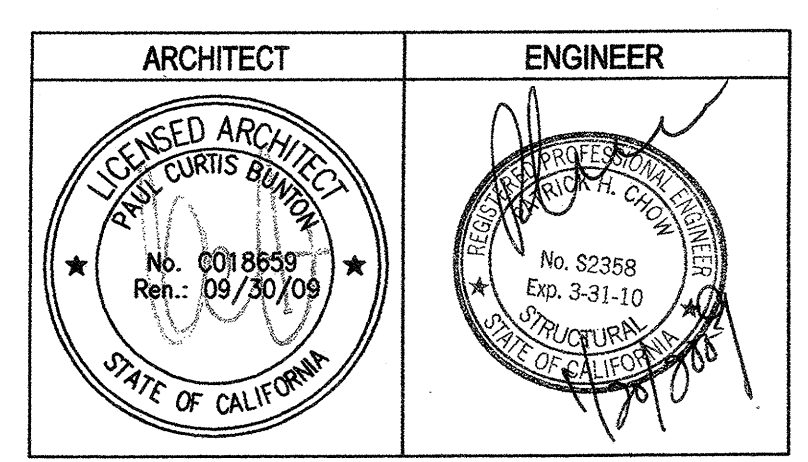


9.1M TYPICAL HEADERS, U.O.N. 1 1/2"=1'-0"
M15D001M-M7P2

OPENING WIDTH	HEADER STUD	ADDITIONAL STUD BELOW	REMARKS
UP TO 4'-0"	2-4"x16 GA.	N.A.	
4'-1" TO 8'-0"	2-6"x16 GA.	N.A.	
8'-1" TO 10'-0"	2-8"x14 GA.	N.A.	
10'-1" TO 14'-0"	2-10"x14 GA.	1-14 GA. WALL WIDTH	2" FLG. MIN.
14'-1" TO 23'-0"	2-12"x14 GA.	1-14 GA. WALL WIDTH	2" FLG. MIN.



Burton Clifford Associates, Inc.
210 Hammond Ave.
Fremont, California 94539
[T] 510.445.1000
[F] 510.445.1005
www.BCAincOnline.com



1. This sheet is part of a set and is not to be used alone.
2. This sheet is not to be used for construction unless the architect's stamp and signature appear on the drawings and the status box indicates drawings have been released for construction.
3. These plans and prints thereof, as instruments of service, are owned by the architect and are for use on this project only. Reproduction and/or distribution without the prior written consent of the architect is forbidden.
4. Copyright Burton Clifford Associates, 2007

REVISION HISTORY

REVISION	DATE

FILE NO. 41-C1

IDENTIFICATION STAMP
DIV. OF THE STATE ARCHITECT

01 - 110074

DATE: MAR 19 2009

BUILDINGS 5 & 6 RENOVATIONS
San Mateo County Community College District

DSA BACK-CHECK

CAÑADA COLLEGE
4200 Farm Hill Boulevard
Redwood City, CA 94061

LIGHT GAGE STEEL
TYPICAL DETAILS