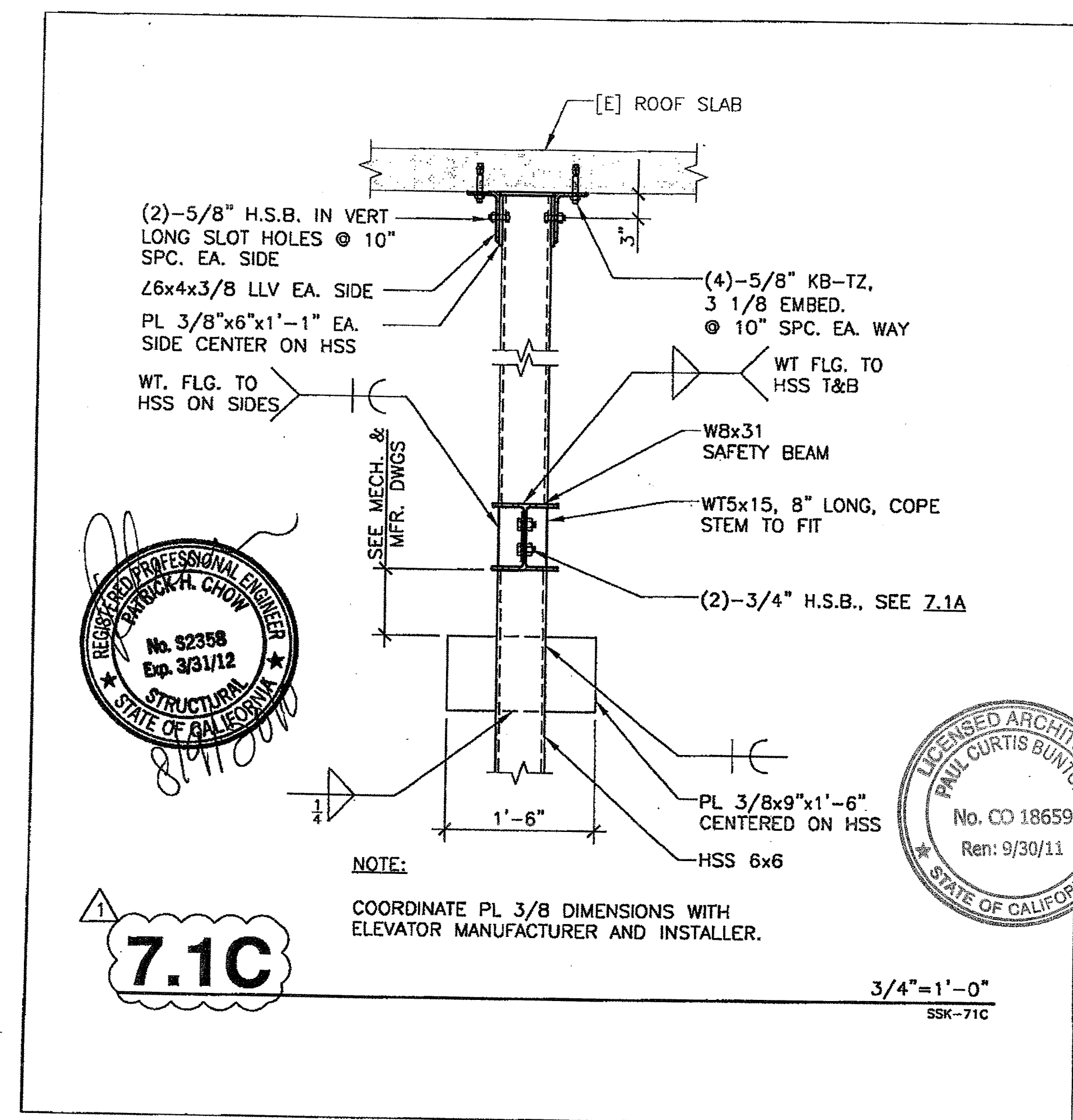
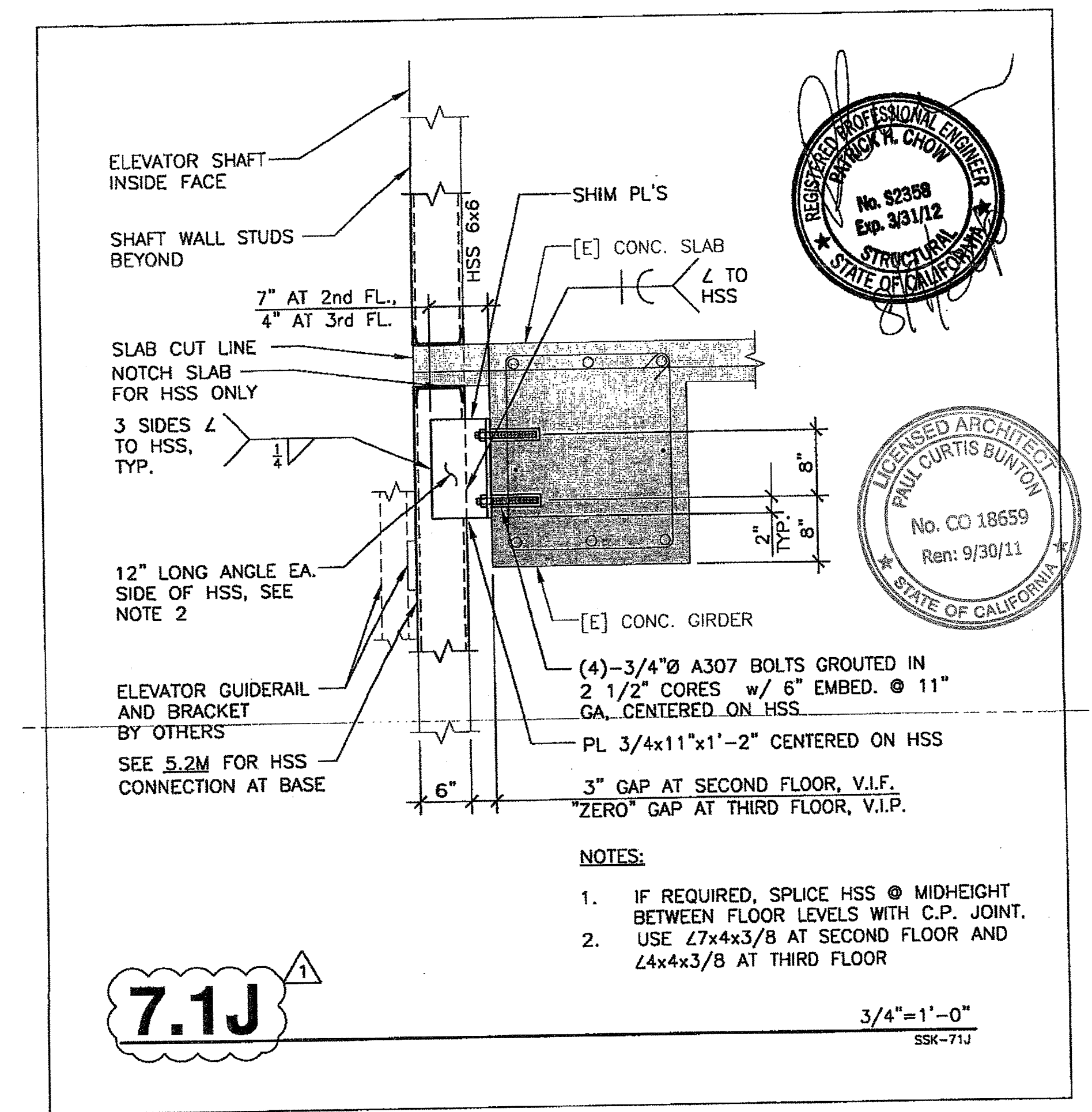


ASI-15



BCA architecture planning interiors 210 Hammond Ave. Fremont, California 94539 (T) 510.445.1000 (F) 510.445.1005	Title: INTERIOR ELEVATOR DETAILS	Revision: REF.	REF. S7.1
	Project Name: CANADA COLLEGE - BUILDINGS 5 & 6 RENOVATIONS SAN MATEO COUNTY COMMUNITY COLLEGE DISTRICT 4200 FARM HILL BOULEVARD REDWOOD CITY, CA 94061 FILE NO. 43-C1 APPL. 01-110074	Date: 08/08/10 Scale: AS NOTED Project Number: 07013	Drawing Number: SSK-7.1C

ASI-15



BCA architecture planning interiors 210 Hammond Ave. Fremont, California 94539 (T) 510.445.1000 (F) 510.445.1005	Title: INTERIOR ELEVATOR DETAILS	Revision: REF.	REF. S7.1
	Project Name: CANADA COLLEGE - BUILDINGS 5 & 6 RENOVATIONS SAN MATEO COUNTY COMMUNITY COLLEGE DISTRICT 4200 FARM HILL BOULEVARD REDWOOD CITY, CA 94061 FILE NO. 43-C1 APPL. 01-110074	Date: 08/08/10 Scale: AS NOTED Project Number: 07013	Drawing Number: SSK-7.1J