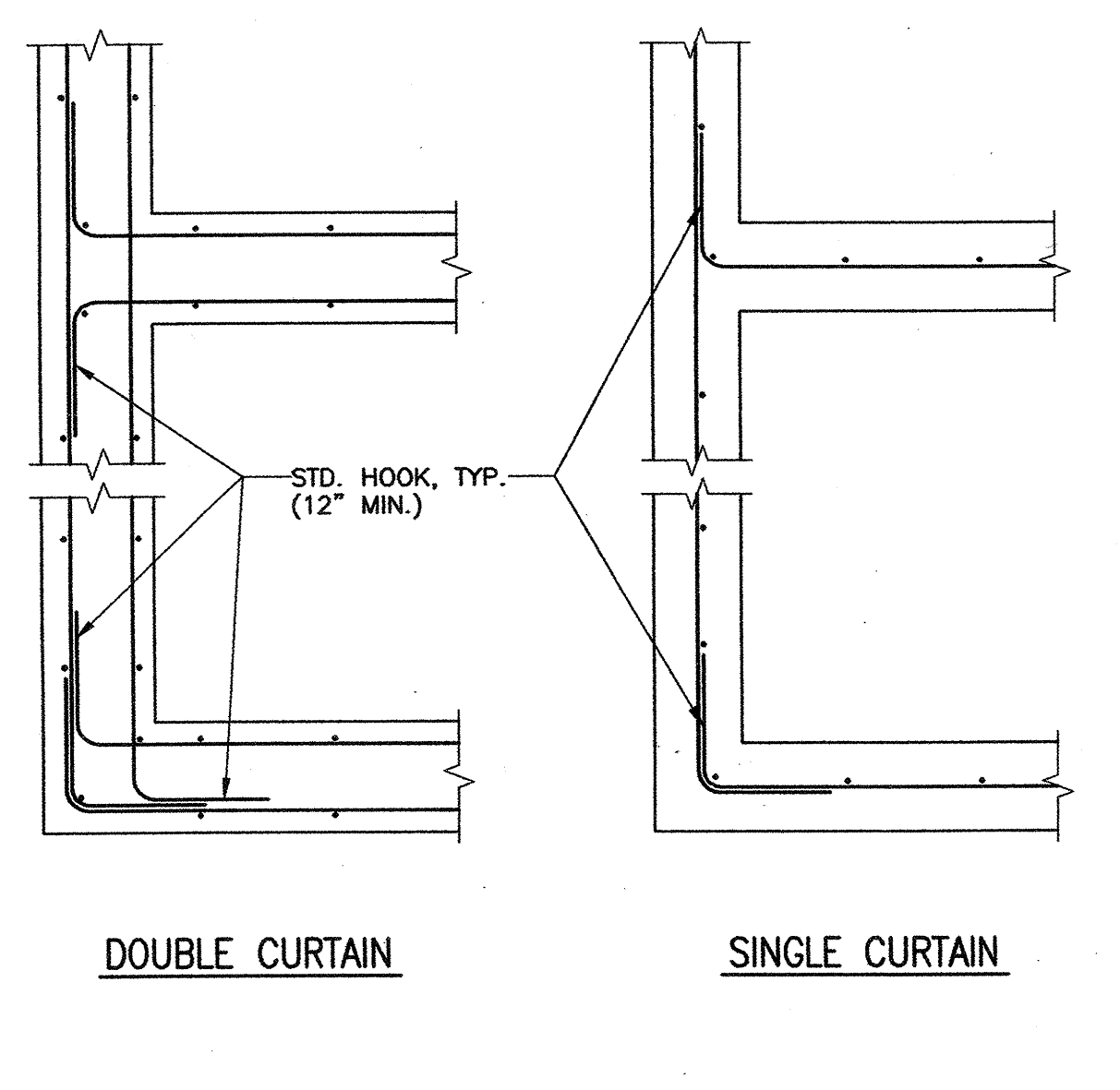
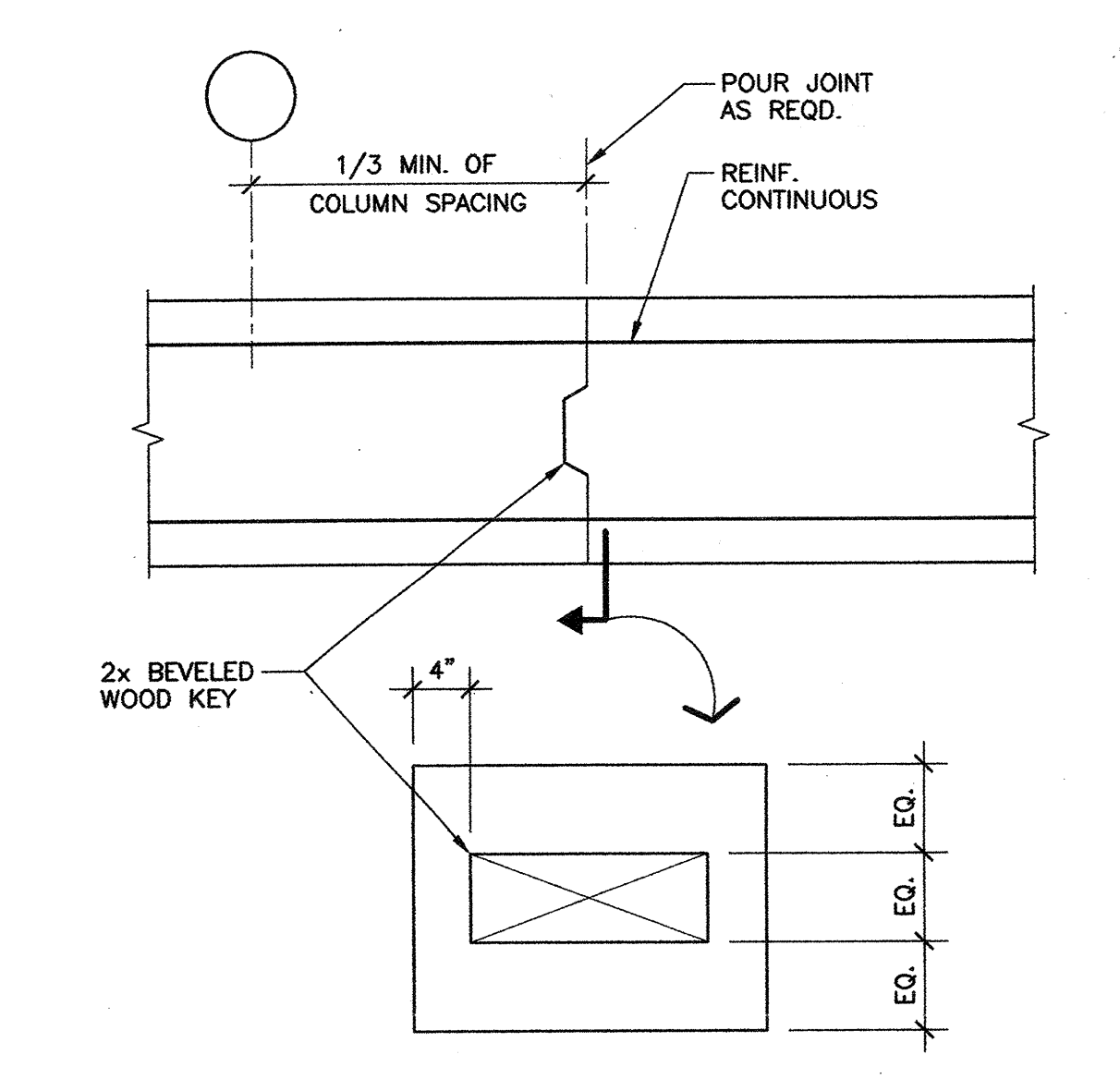


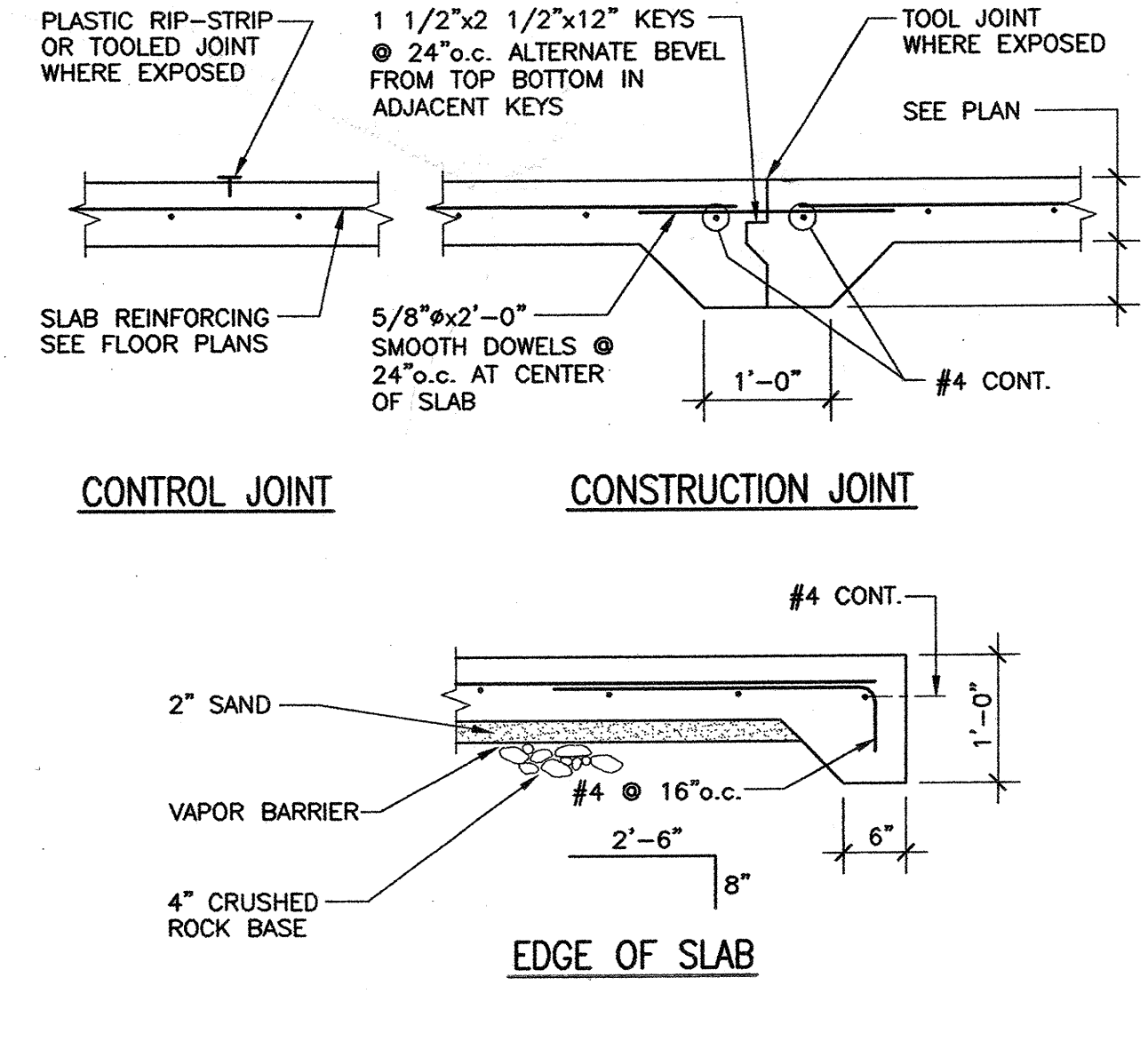
5.1A EXISTING SHAFT/FLOOR INFILL 1/2"=1'-0"
 CPT0004-SS18-W703551X



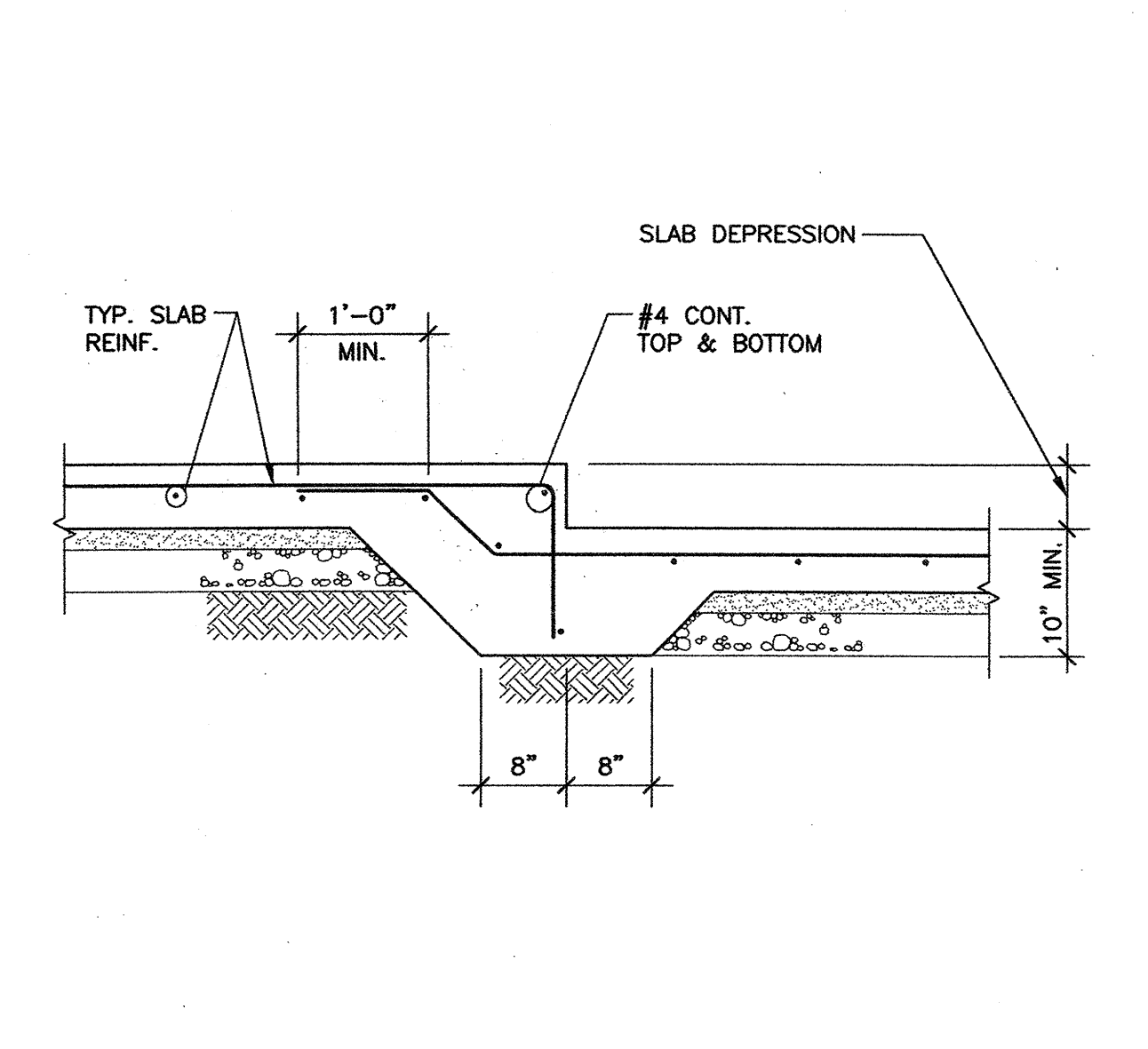
5.1B FOOTING OR WALL INTERSECTION 3/4"=1'-0"
 CPT0004-SS18-W703551X



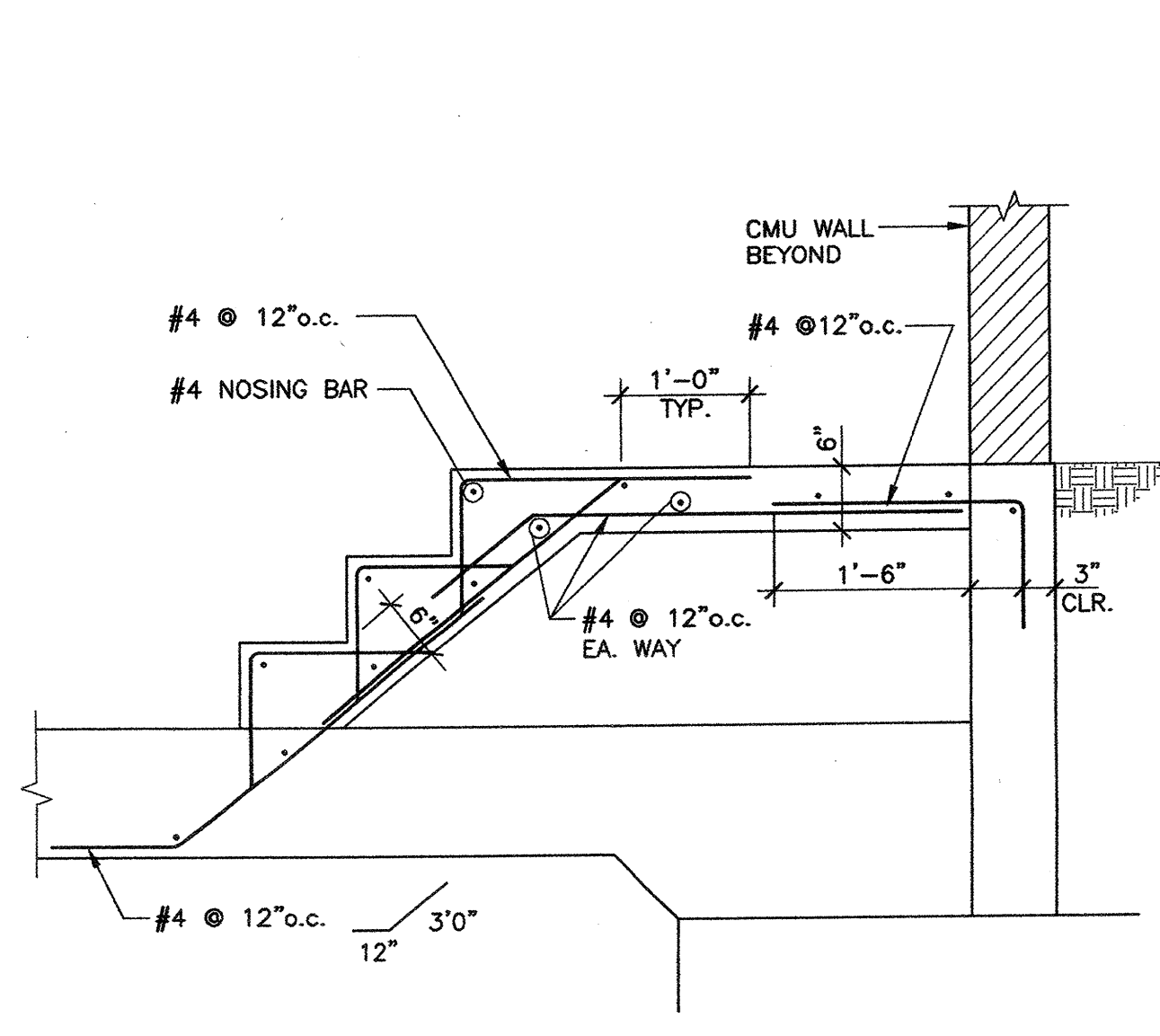
5.1C POUR JOINT IN FOOTING 1"=1'-0"
 CPT0004-SS18-W703551X



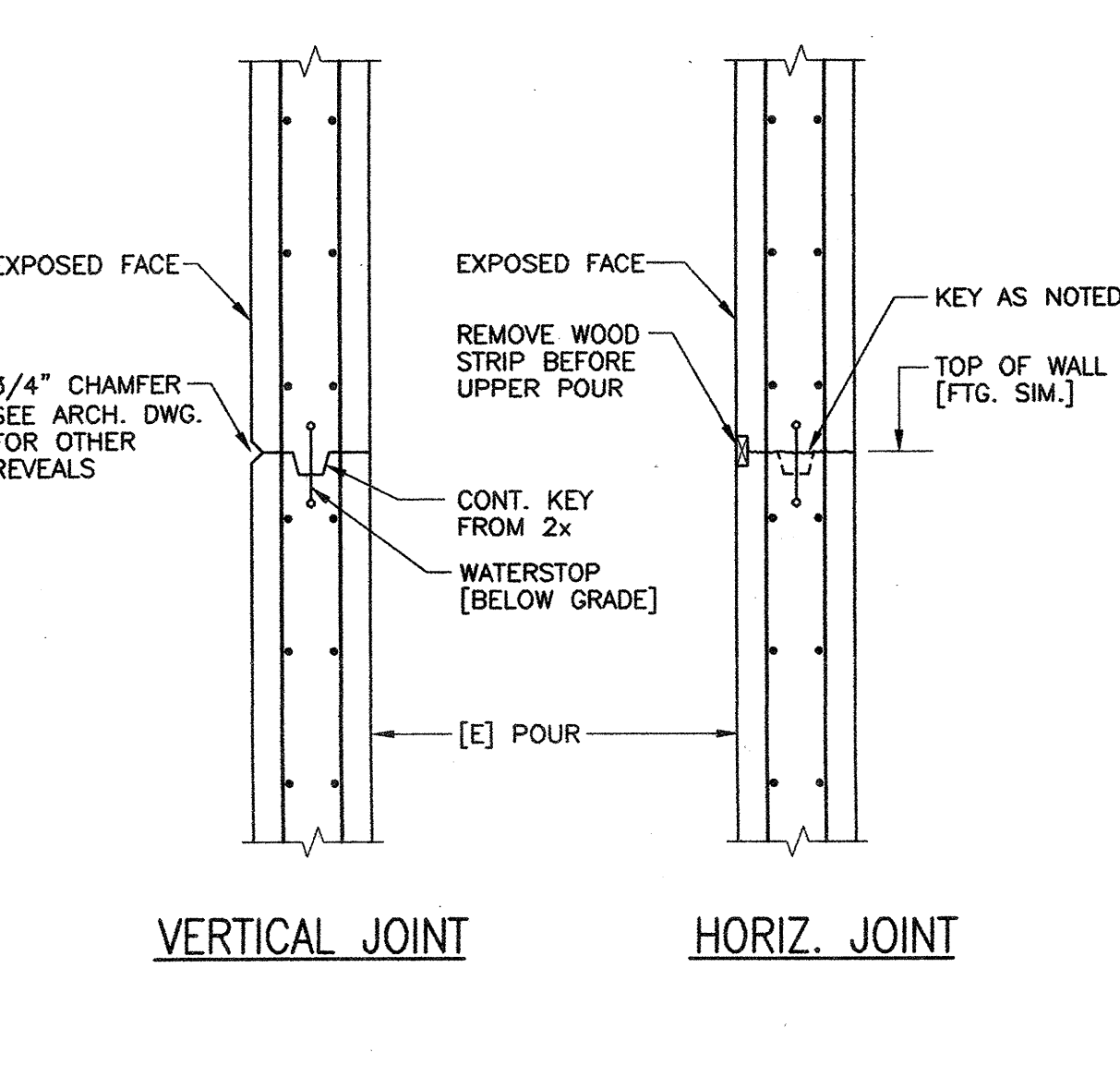
5.1D SLAB ON GRADE 3/4"=1'-0"
 CPT0004-SS18-W703551X



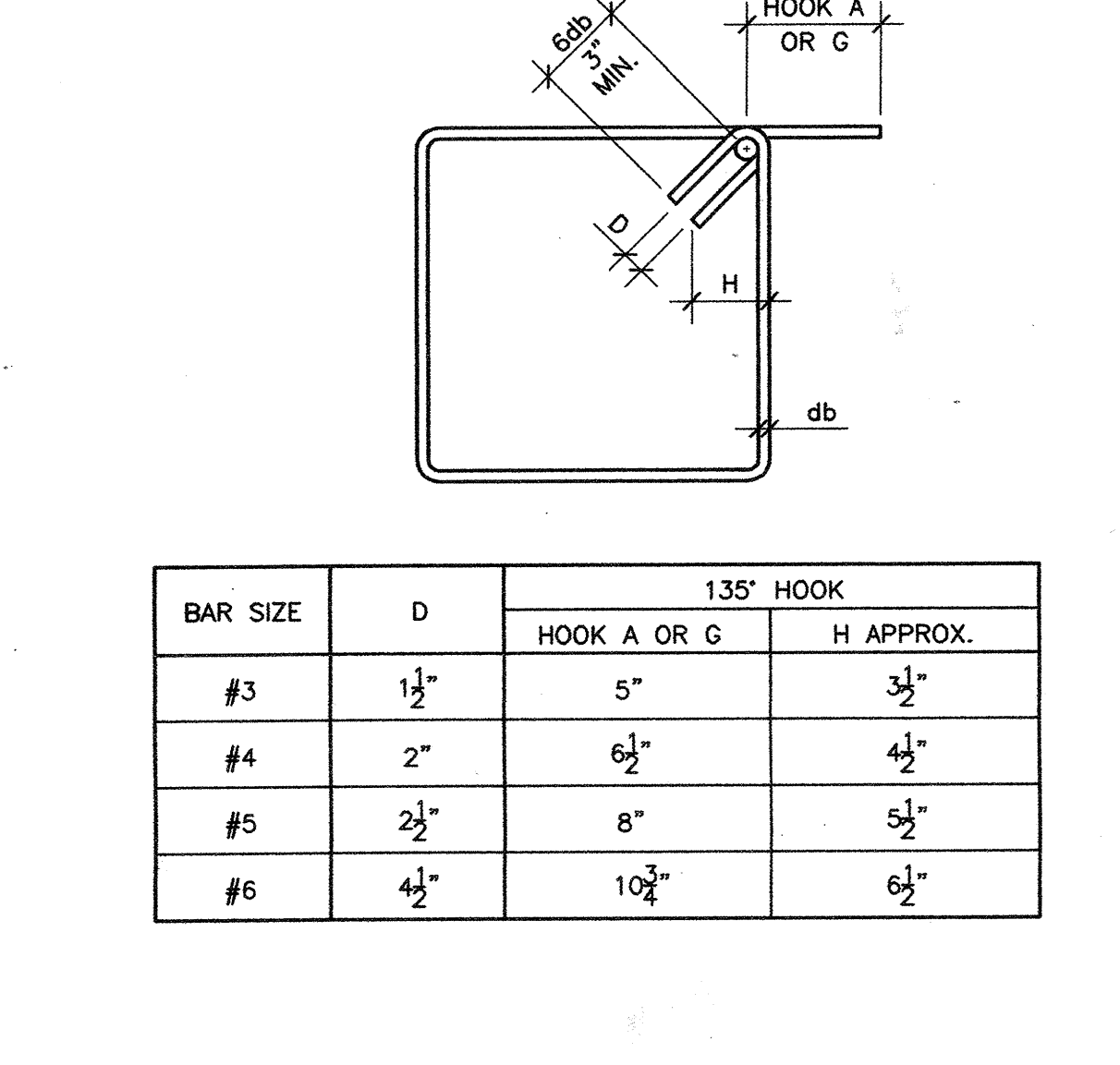
5.1E SLAB ON GRADE DEPRESSION 3/4"=1'-0"
 CPT0004-SS18-W703551X



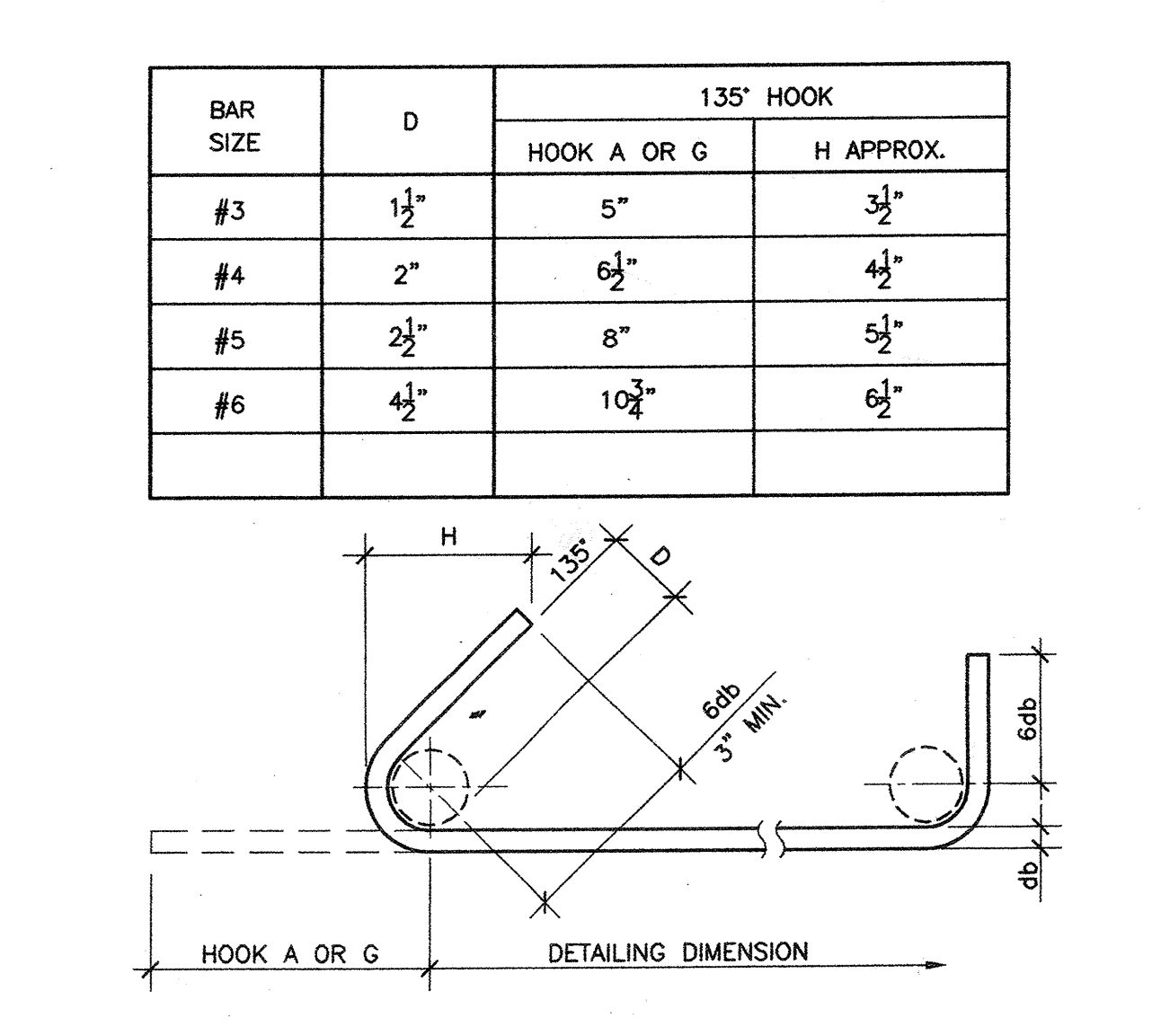
5.1F CONCRETE STEP DETAIL 3/4"=1'-0"
 CPT0004-SS18-W703551X



5.1G WALL POUR JOINTS 1"=1'-0"
 CPT0004-SS18-W703551X



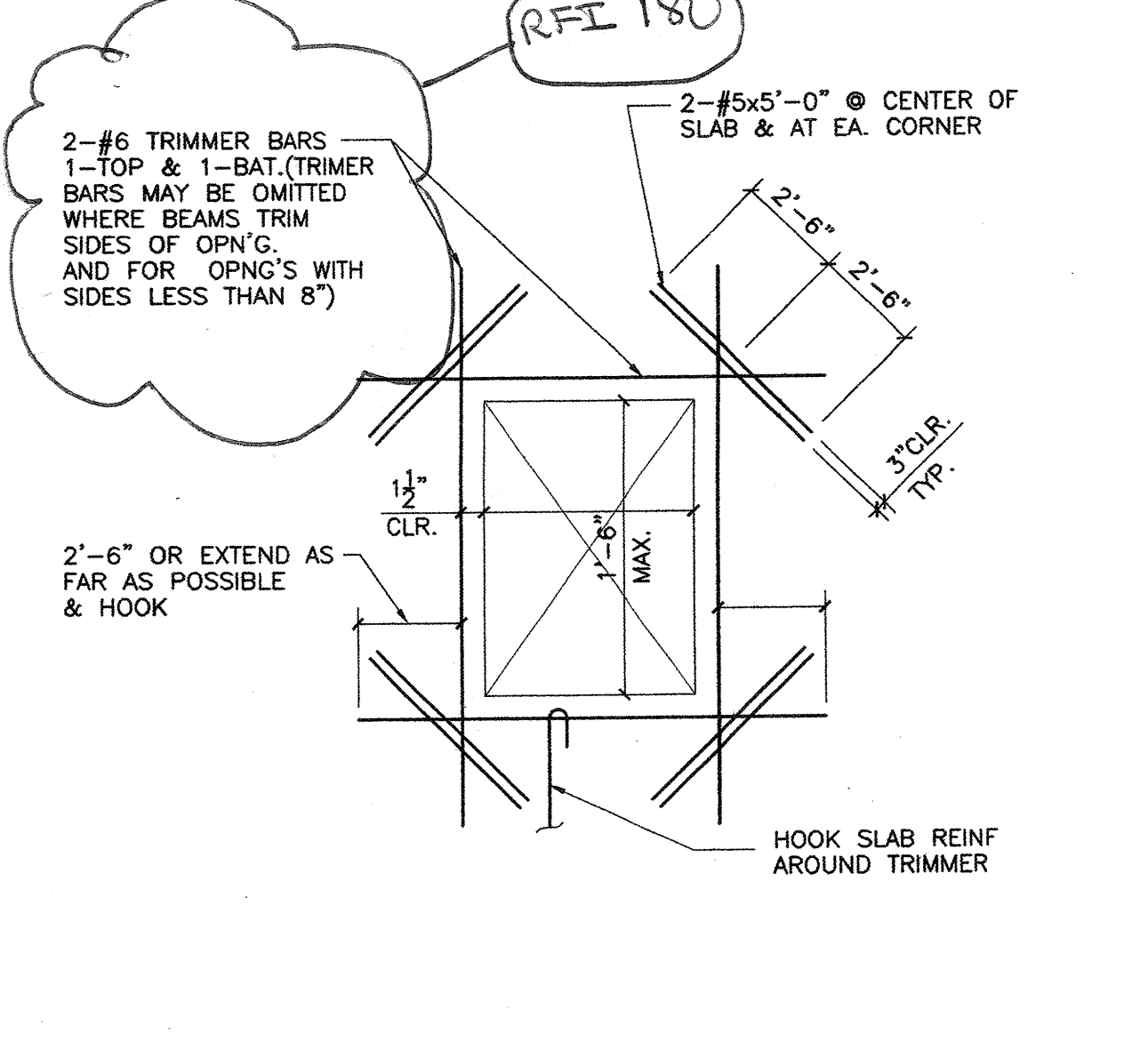
5.1H HOOP DETAIL 1 1/2"=1'-0"
 CPT0004-SS18-W703551X



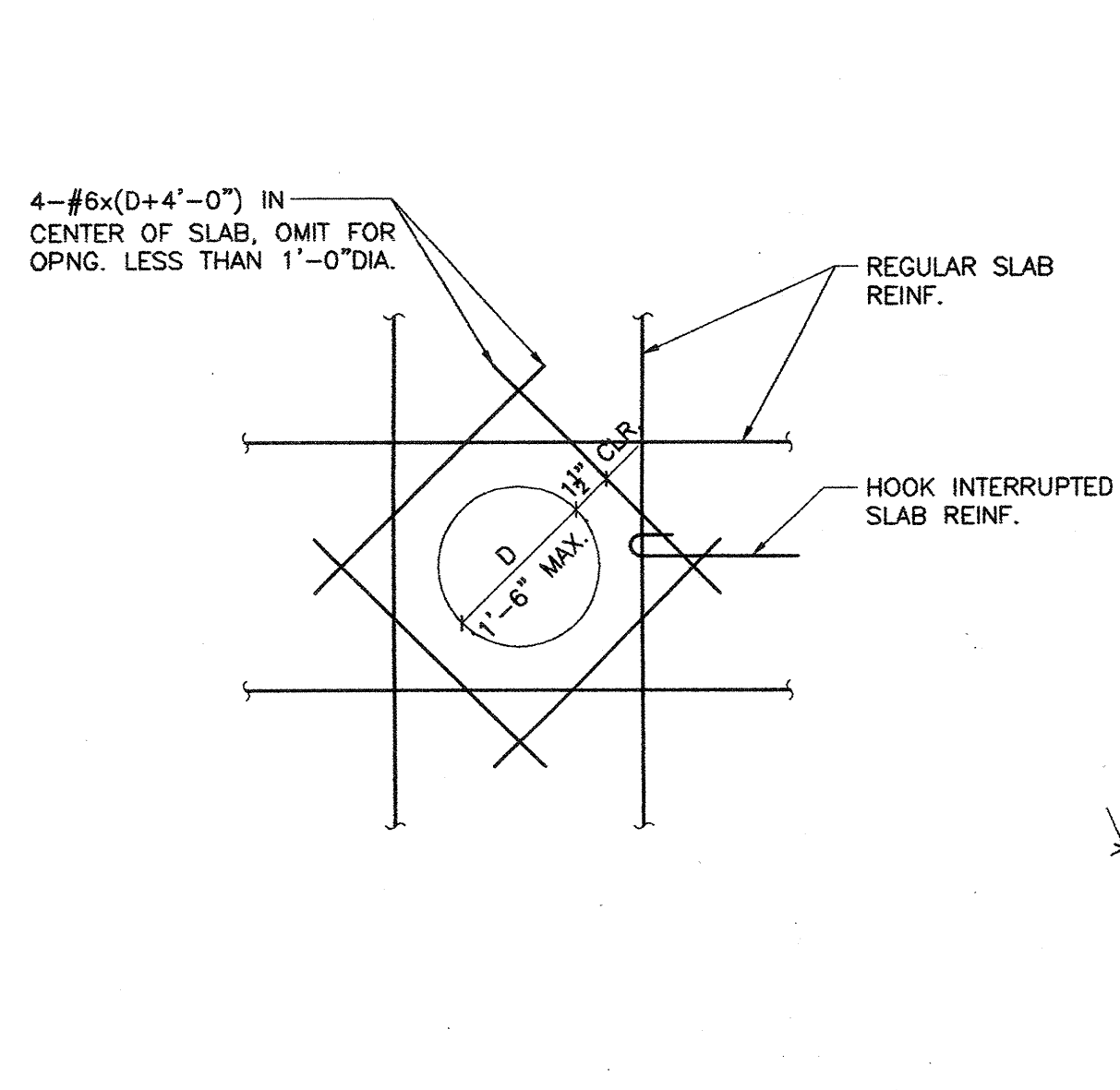
5.1J SEISMIC STIRRUP/TIE HOOK 3"=1'-0"
 CPT0004-SS18-W703551X

CLASS B LAP SPLICE	F _c =3000 PSI DEVELOPMENT LENGTH		F _c =3000 PSI DEVELOPMENT LENGTH		F _c =3000 PSI ALL BARS
	TOP BARS	OTHER BARS	TOP BARS	OTHER BARS	
#3	28	21	22	17	9
#4	37	28	29	22	11
#5	46	36	36	28	14
#6	56	43	43	33	17
#7	81	62	63	48	19
#8	93	71	72	55	22
#9	104	80	81	62	25
#10	118	90	91	70	28
#11	131	100	101	78	31

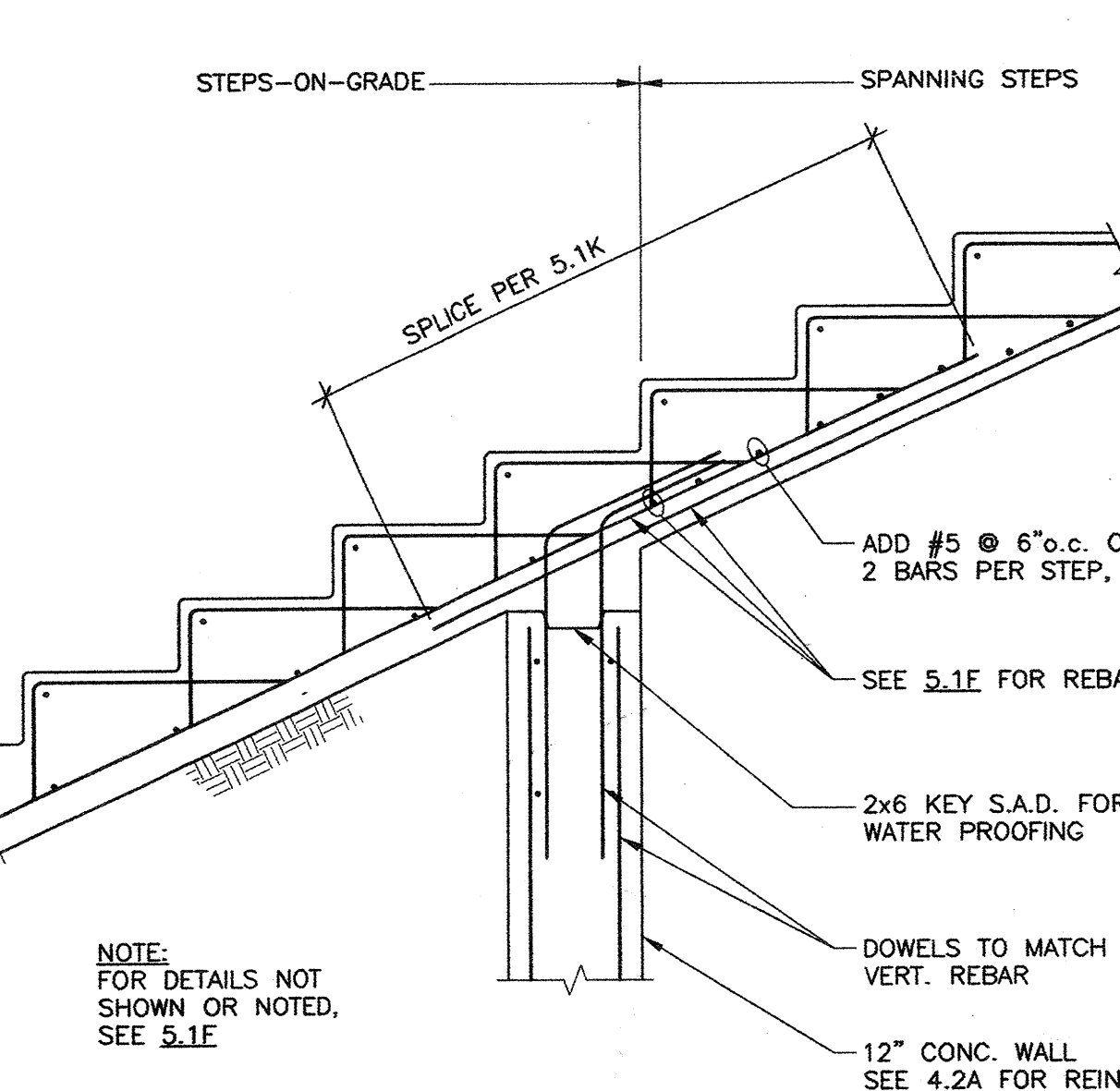
5.1K REINFORCING BAR SPLICES AND DEVELOPMENT FULL SCALE
 SCH-REIN-SS18-W703551X



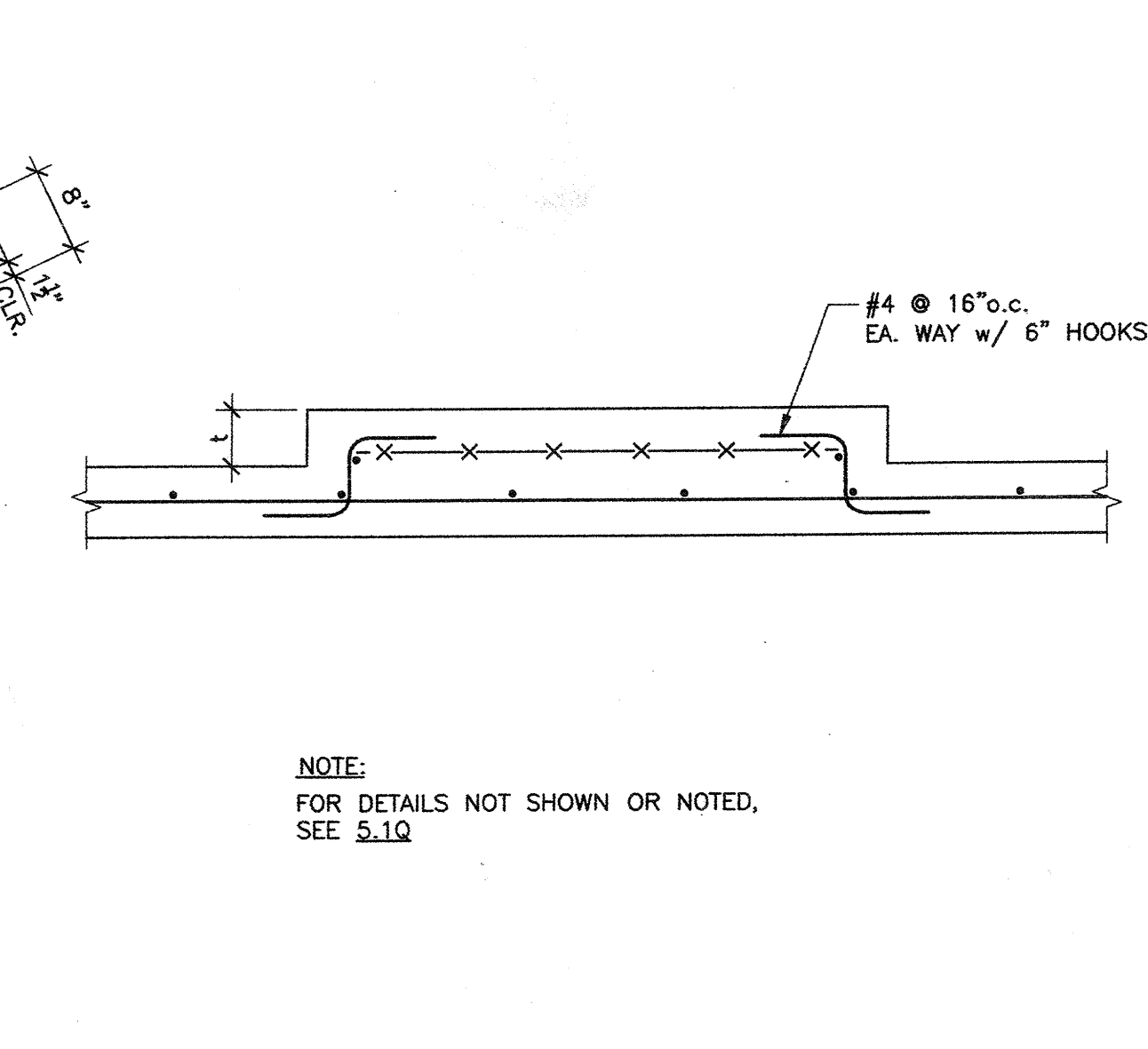
5.1L RECTANGULAR SLAB OPENING 1/4"=1'-0"
 CAN-CAMPUS CTR-2536-S7-W703551X



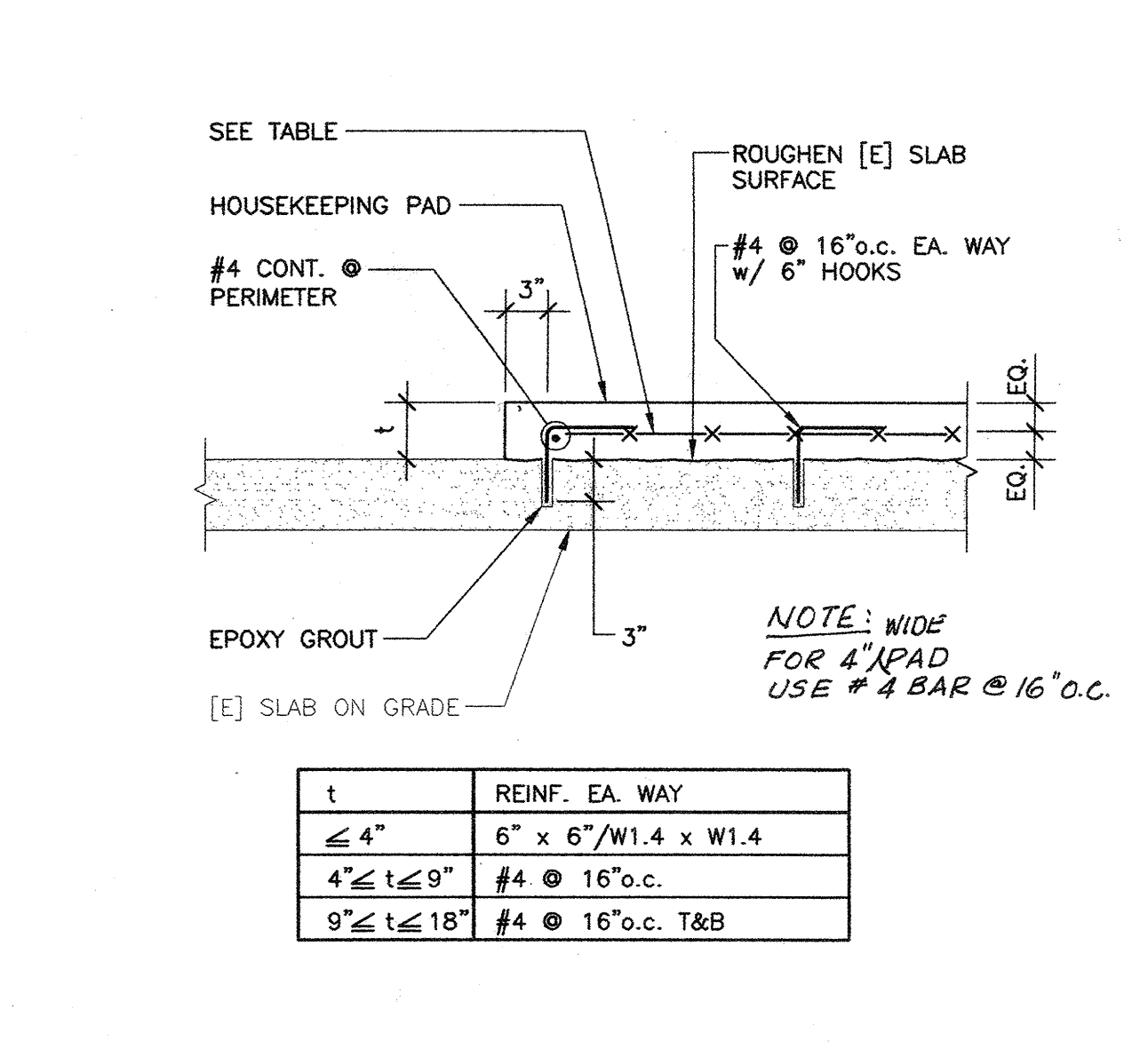
5.1M ROUND SLAB OPENING 1/4"=1'-0"
 M703551X



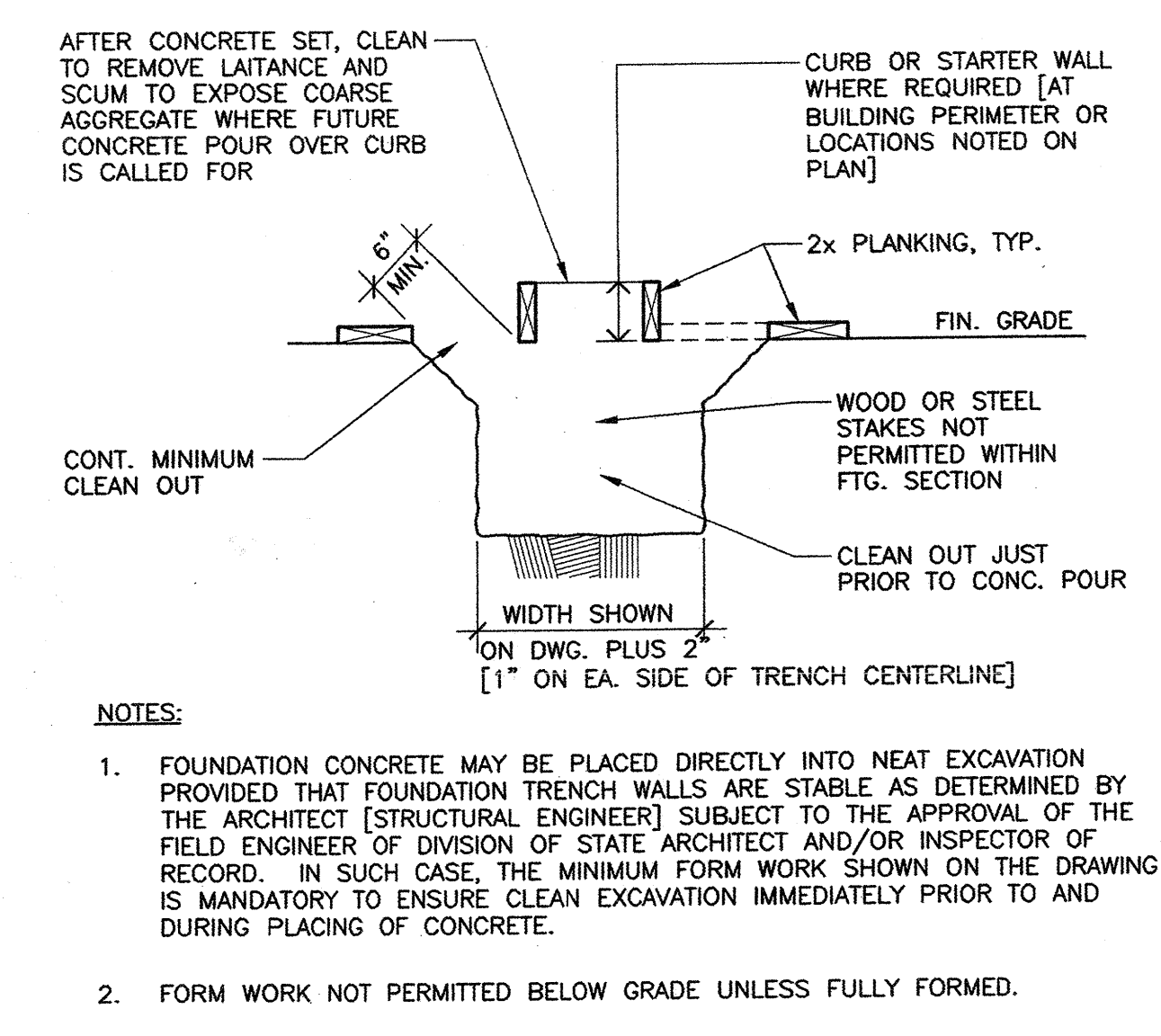
5.1N PIER BETWEEN OPENINGS 3/4"=1'-0"
 M703551X



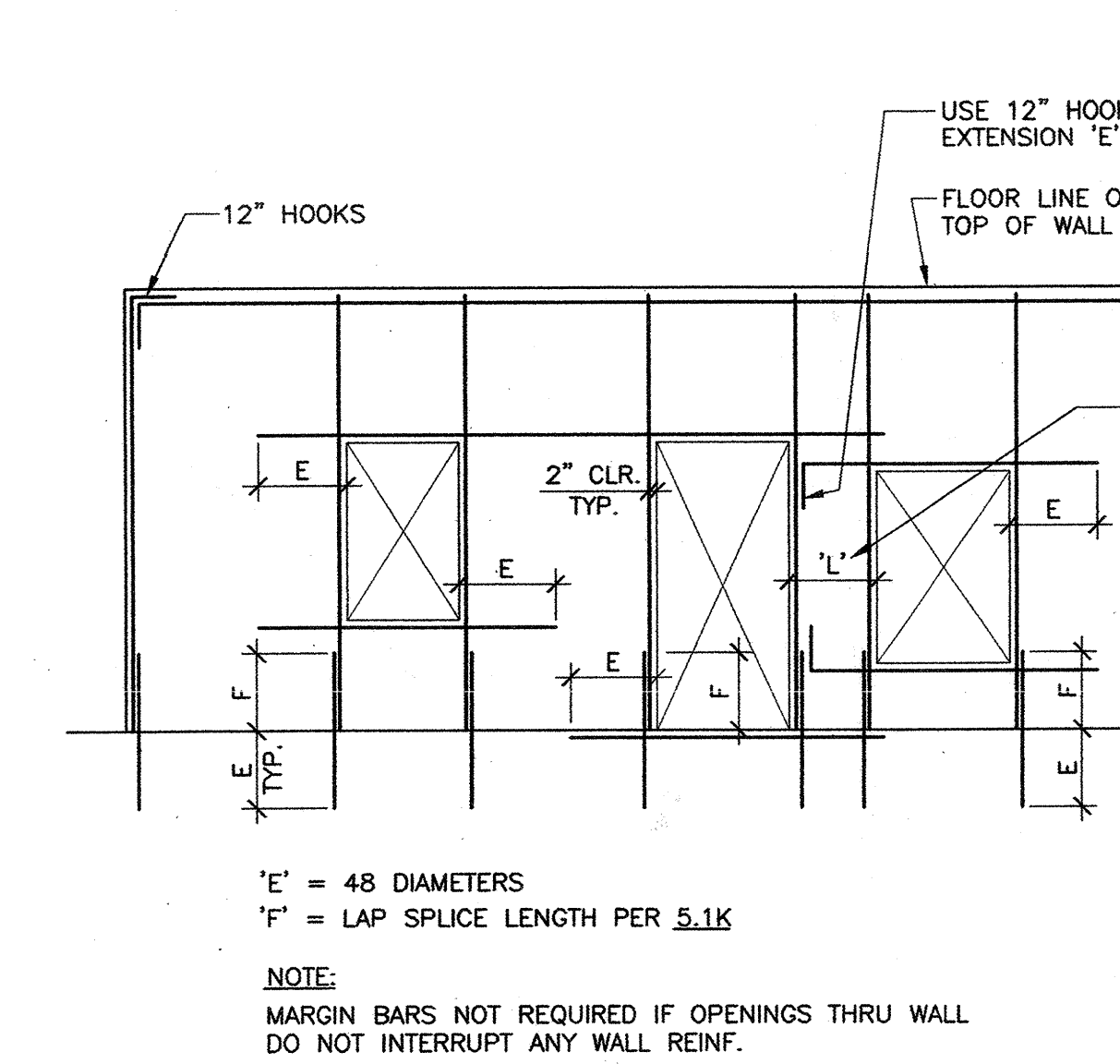
5.1P HOUSEKEEPING PAD 1"=1'-0"
 CPT0004-SS18-W703551X



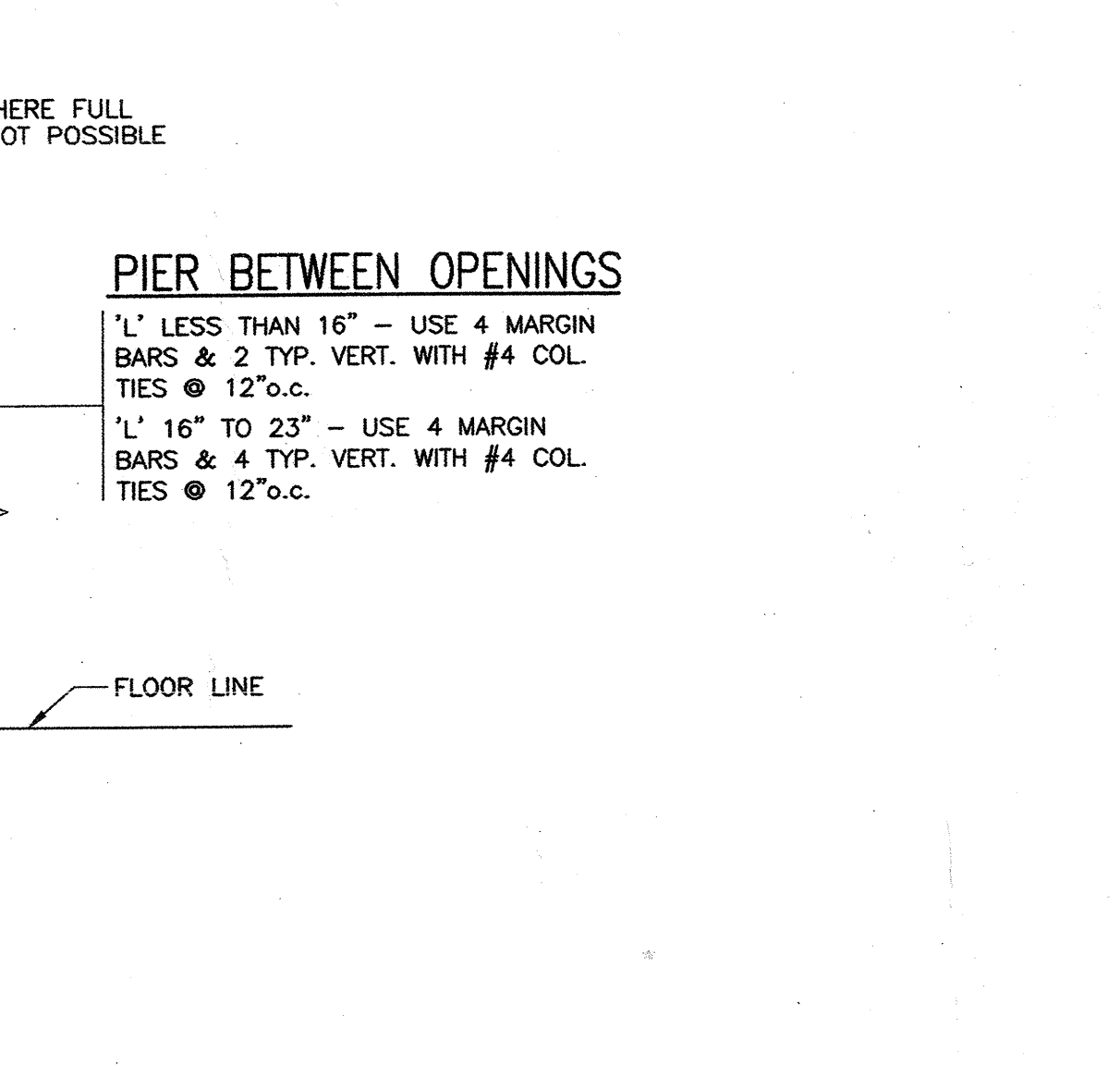
5.1Q HOUSEKEEPING PAD 1"=1'-0"
 CPT0004-SS18-W703551X



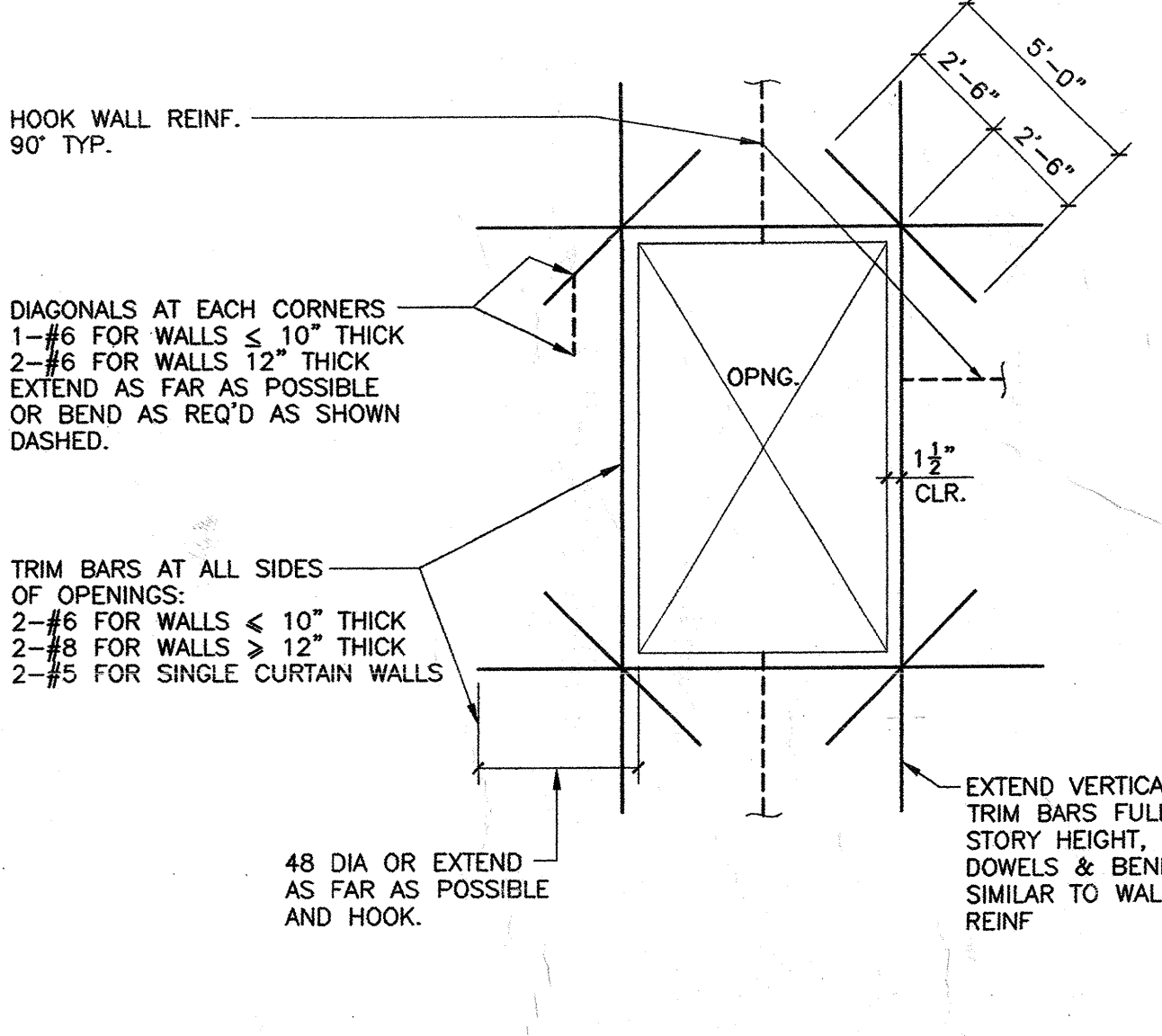
5.1R TYPICAL MANDATORY FORMWORK DETAIL 3/4"=1'-0"
 CPT0004-SS18-W703551X



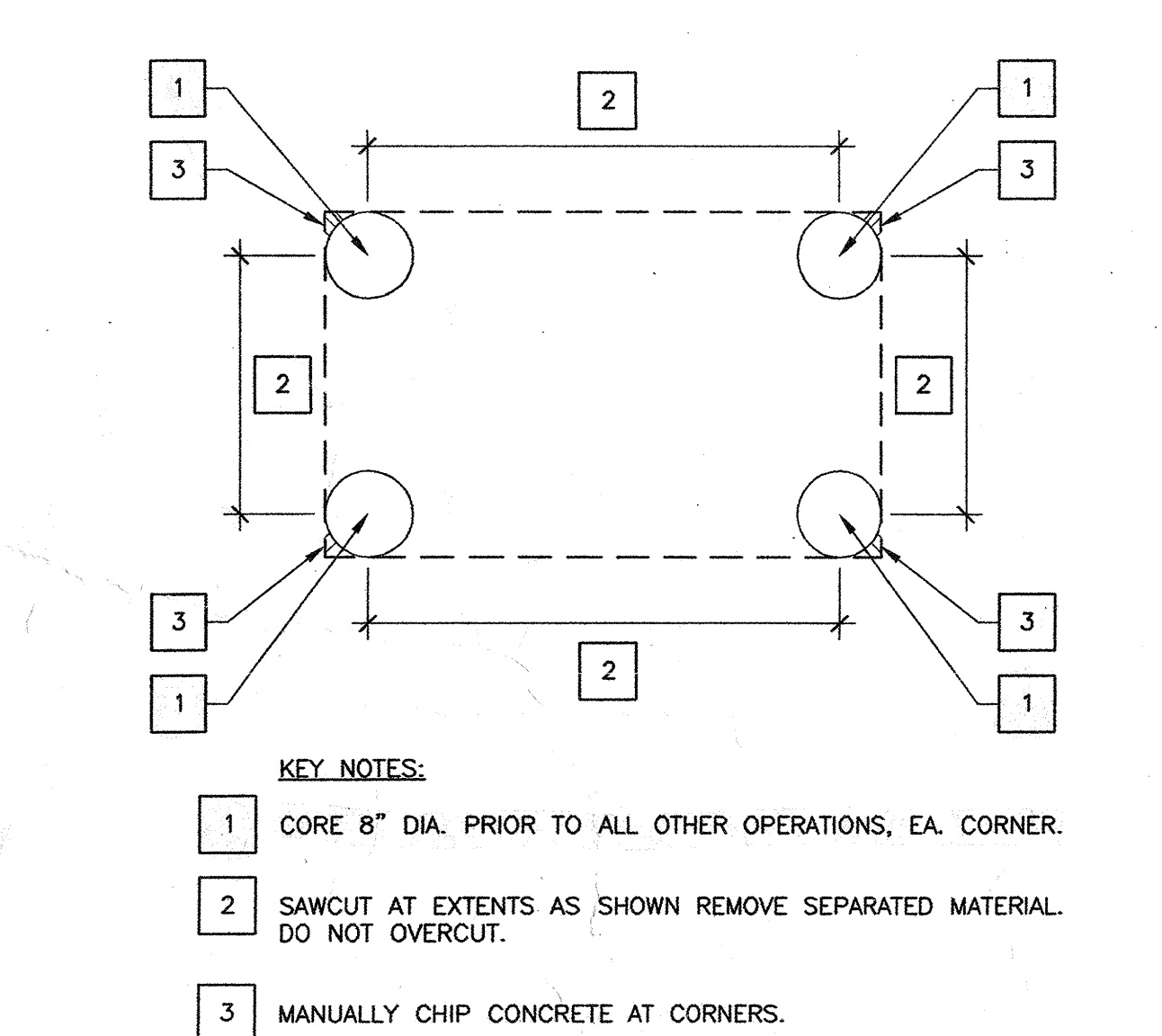
5.1S WALL MARGINAL REINFORCEMENT 1/4"=1'-0"
 CPT0004-SS18-W703551X



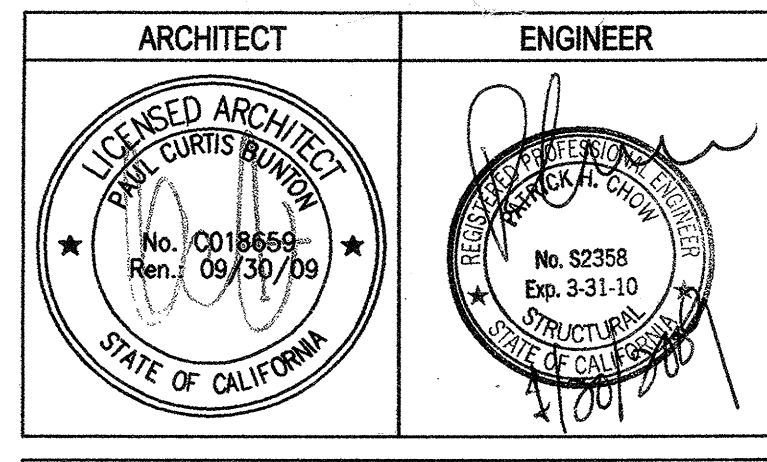
5.1T TYPICAL REINFORCING AT WALL OPENINGS 1/4"=1'-0"
 M703551X



5.1U [N] OPENING IN CONCRETE FULL SCALE
 M703551X



5.1V [N] OPENING IN CONCRETE FULL SCALE
 M703551X



1. This sheet is part of a set and is not to be used alone.
 2. This sheet is not to be used for construction unless the architect's stamp and signature appear on the drawings and the status box indicates drawings have been released for construction.
 3. These plans and prints thereof, as instruments of service, are owned by the architect and are for use on this project only. Reproduction and/or distribution without the prior written consent of the architect is forbidden.
 4. Copyright Bunton Clifford Associates, 2007

REVISION HISTORY	DATE

DRAWING STATUS	DATE

BUILDINGS 5 & 6 RENOVATIONS
 San Mateo County Community College District

CAÑADA COLLEGE
 4200 Farm Hill Boulevard
 Redwood City, CA 94061

CONCRETE DETAILS
 Date 12/31/08 Drawing Number S5.1
 Scale AS NOTED
 Project Number 07013