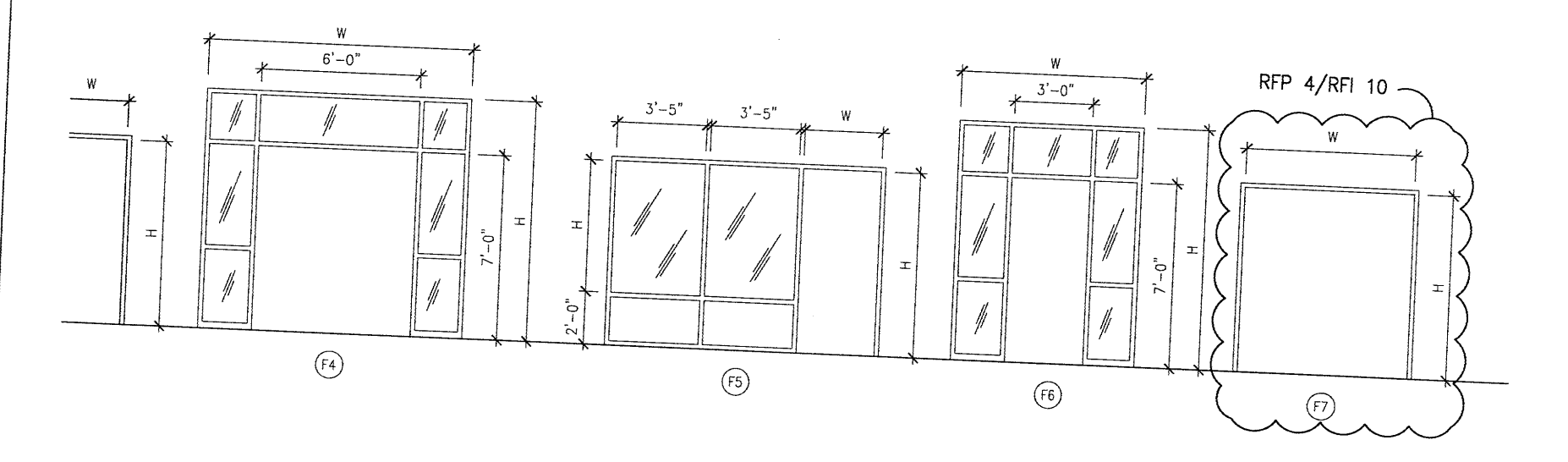


RFP 4/RFI 10  
FILE NO. 43-C1  
APPL. NO. 01-110074

RR-4



1 FRAME TYPES  
REV. 04/11

SCALE: 1" = 1'-0"

**BCA**

THIRD FLOOR DOORS

CHADWICK COLLEGE - BUILDINGS 3 & 6 RENOVATIONS  
SAN MATEO COUNTY COMMUNITY COLLEGE DISTRICT  
4300 TOWN HILL BOULEVARD  
REDWOOD CITY, CA 94061  
FILE NO. 43-C1 APPL. 01-110074

ASK-1C