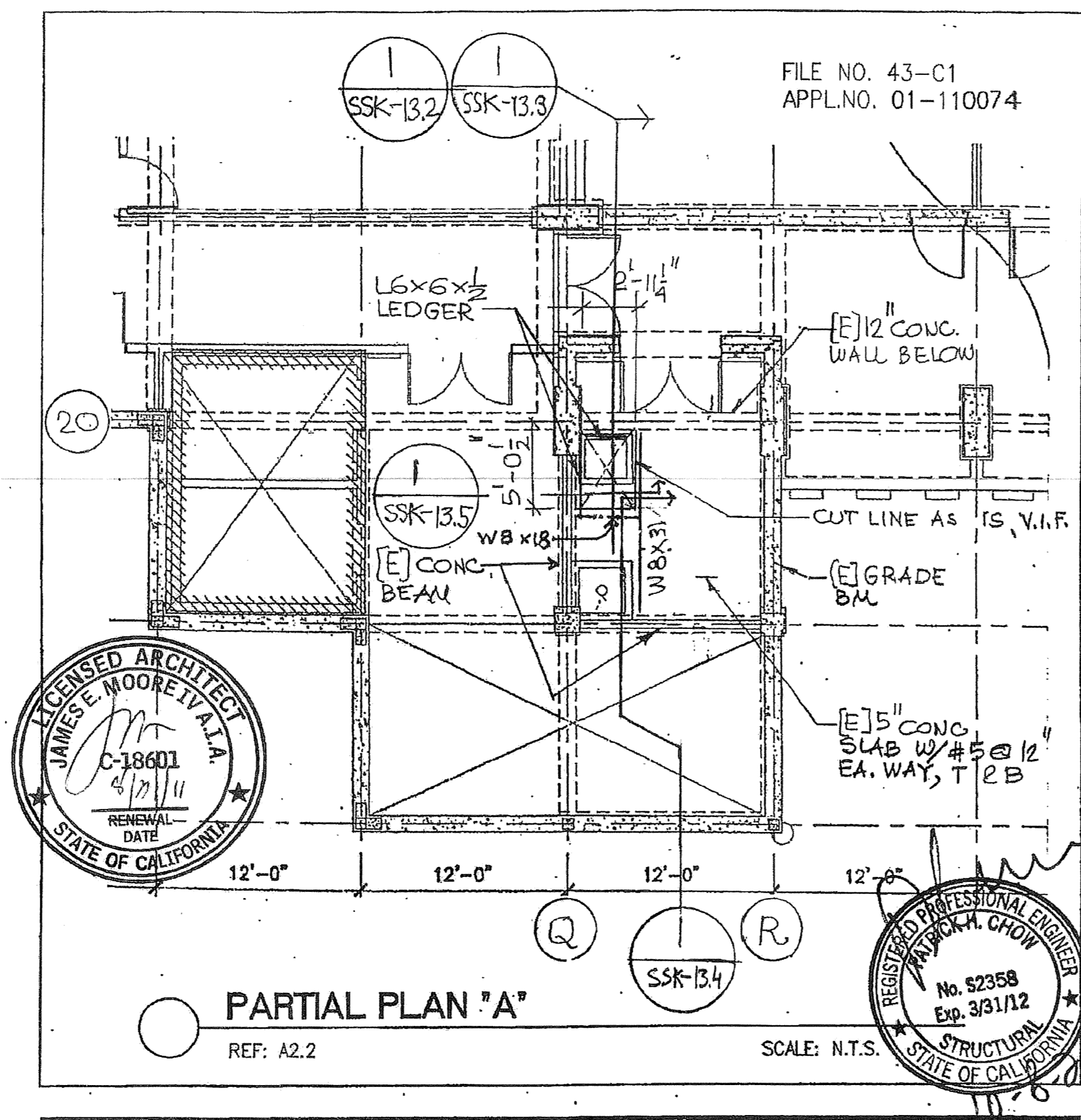


ASI-22

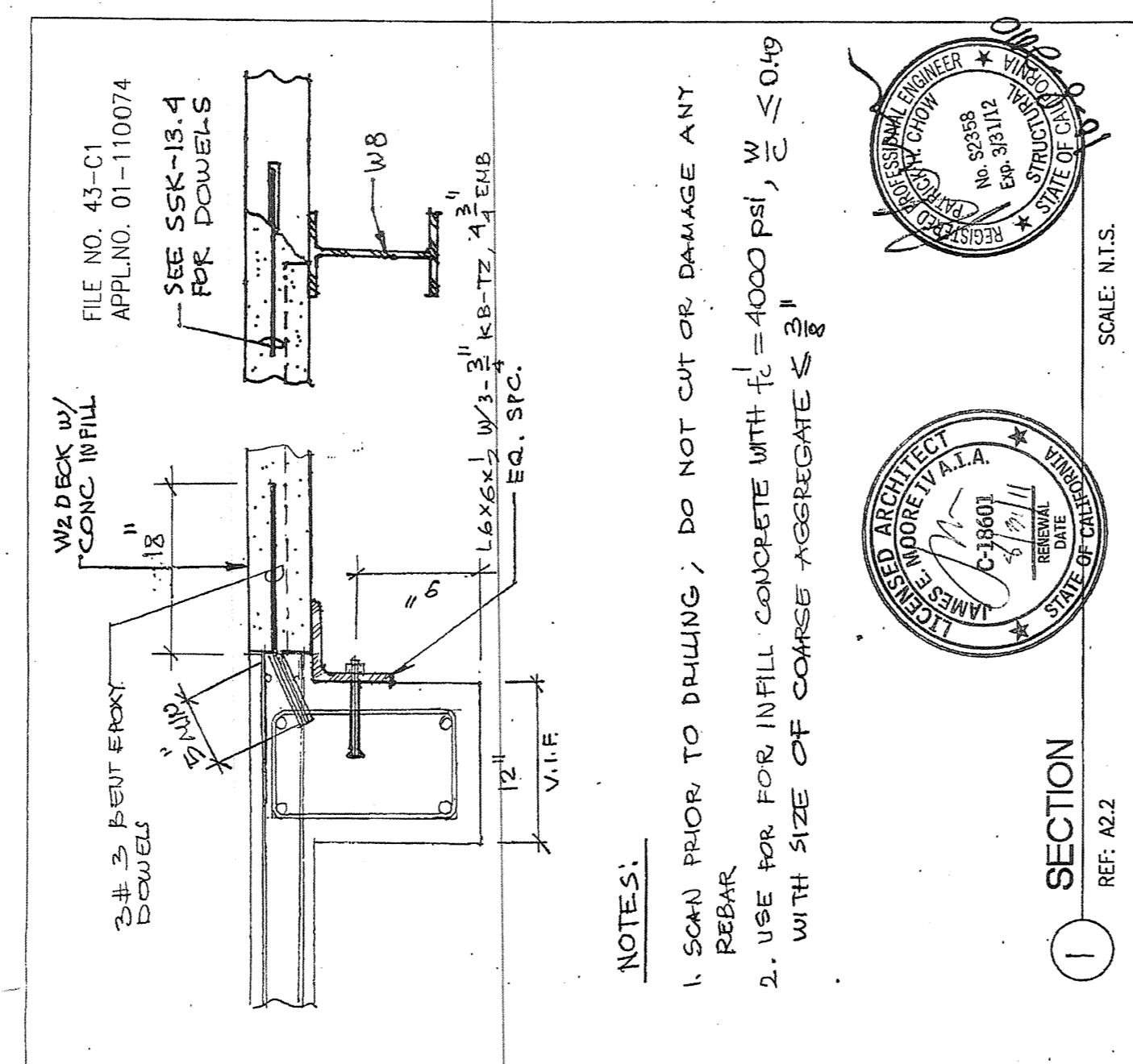


BCA Title: **SLAB REPAIR @ ROOM 5-218** Revision:

Project Name: CANADA COLLEGE - BUILDINGS 5 & 6 RENOVATIONS
SAN MATEO COUNTY COMMUNITY COLLEGE DISTRICT
4200 FARM HILL BOULEVARD

Date: 10/04/10 Drawing Number: SSK-13.1
Scale: AS NOTED

22/15/10

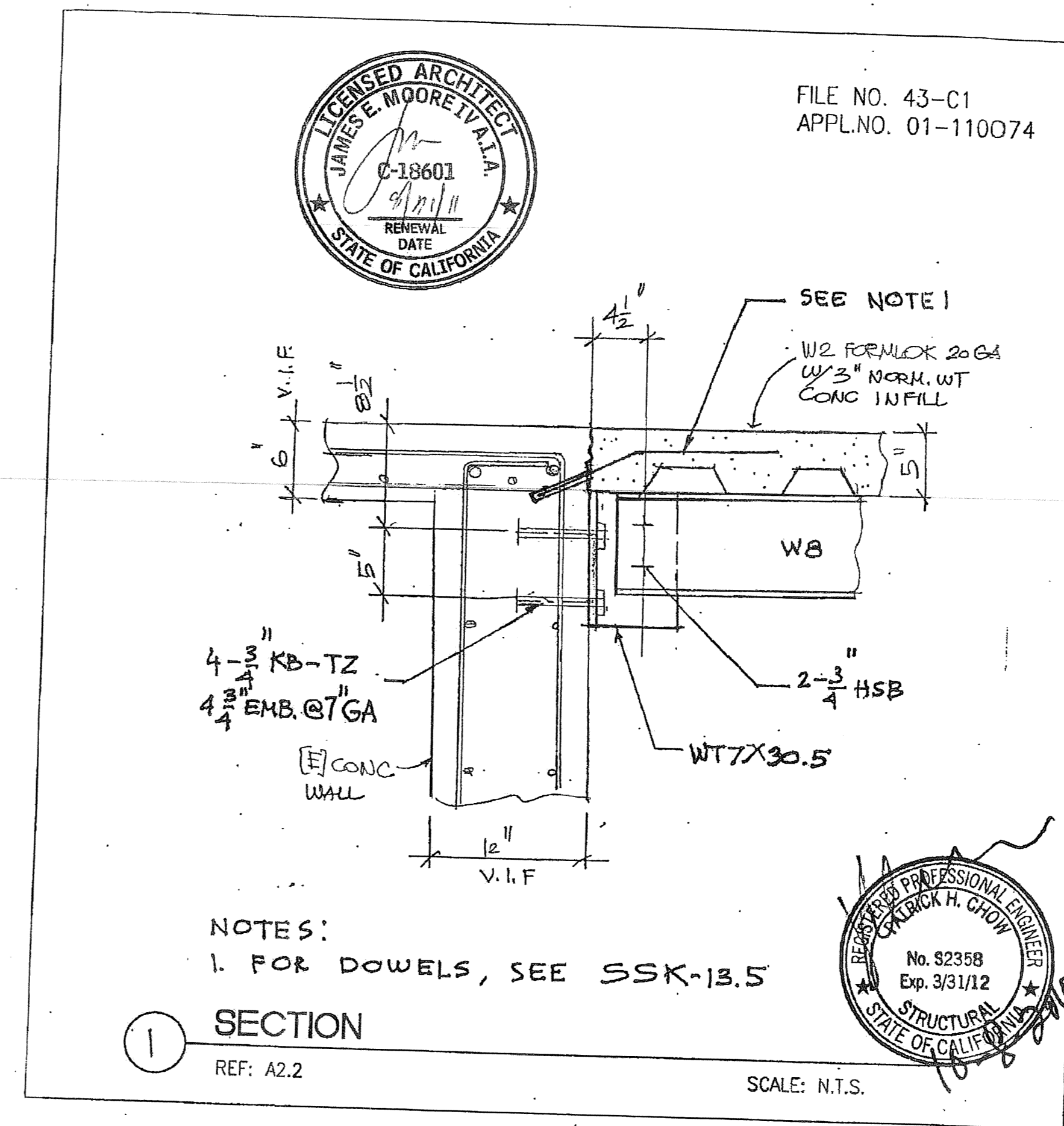


BCA Title: **SLAB REPAIR @ ROOM 5-218** Revision:

Project Name: CANADA COLLEGE - BUILDINGS 5 & 6 RENOVATIONS
SAN MATEO COUNTY COMMUNITY COLLEGE DISTRICT
4200 FARM HILL BOULEVARD

Date: 10/04/10 Drawing Number: SSK-13.5
Scale: AS NOTED

ASI-22

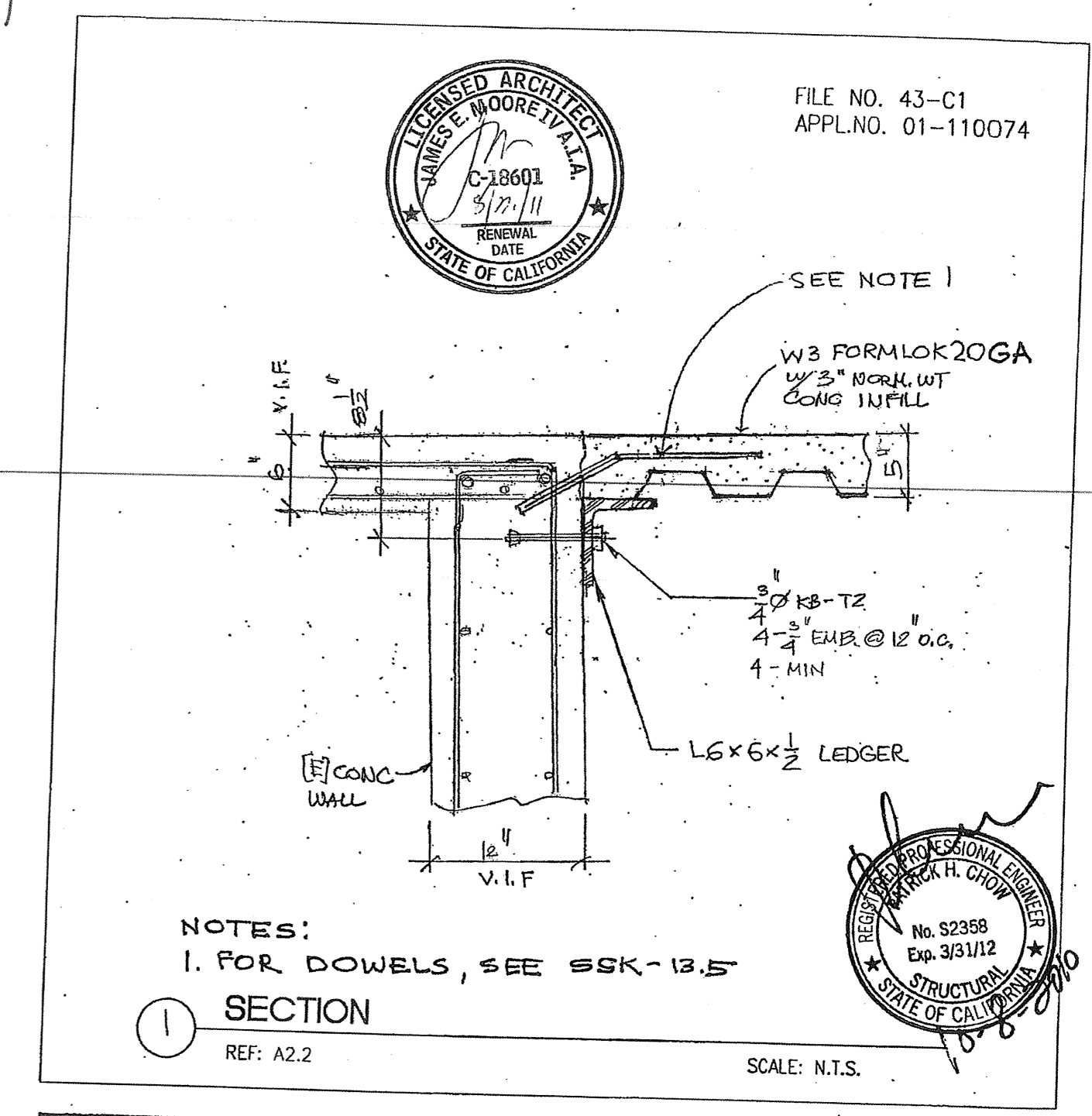


BCA Title: **SLAB REPAIR @ ROOM 5-218** Revision:

Project Name: CANADA COLLEGE - BUILDINGS 5 & 6 RENOVATIONS
SAN MATEO COUNTY COMMUNITY COLLEGE DISTRICT
4200 FARM HILL BOULEVARD

Date: 10/04/10 Drawing Number: SSK-13.2
Scale: AS NOTED

ASI-22

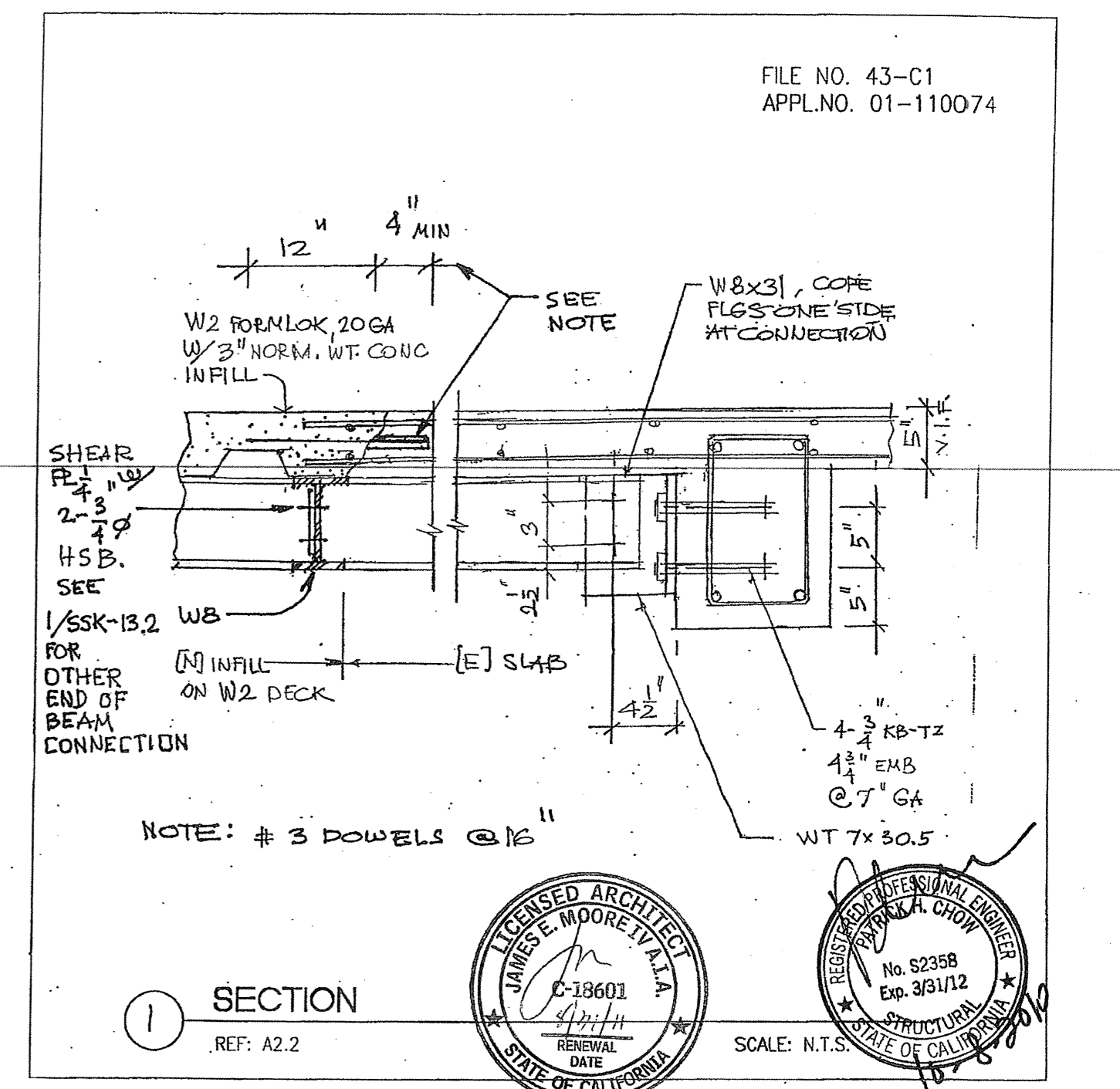


BCA Title: **SLAB REPAIR @ ROOM 5-218** Revision:

Project Name: CANADA COLLEGE - BUILDINGS 5 & 6 RENOVATIONS
SAN MATEO COUNTY COMMUNITY COLLEGE DISTRICT
4200 FARM HILL BOULEVARD

Date: 10/04/10 Drawing Number: SSK-13.3
Scale: AS NOTED

ASI-22



BCA Title: **SLAB REPAIR @ ROOM 5-218** Revision:

Project Name: CANADA COLLEGE - BUILDINGS 5 & 6 RENOVATIONS
SAN MATEO COUNTY COMMUNITY COLLEGE DISTRICT
4200 FARM HILL BOULEVARD

Date: 10/04/10 Drawing Number: SSK-13.4
Scale: AS NOTED