



**Submittal Transmittal**  
 Building 10N Package No: 12 3200-0007-0  
 Date: 06/04/2010

**College of San Mateo - CIP2**

**Project # 006169**

1700 W. Hillsdale Blvd.  
 San Mateo, CA 94402

Tel: 650-638-9370 Fax: 650-638-9377

**Transmitted To:**

**Jim Raver**

LPA Inc

1548 Eureka Rd

Suite 101

Roseville, CA 95661

Phone: (916) 772-4300 Fax: (916) 772-4330

**Status** Submitted

**Date Due** 06/11/2010

**Description**

Bookstore Casework and Samples

**Notes**

Samples are:

Corian - Canyon

Formica - Bleached Concrete

Neveamar - Blossom Cherry

Pionite - Hardrock Maple

Madix - Sahara

Item #	Type	Description	Spec Sec	Sub Sec	Rev	Comments	Status
2220	Shop	Bookstore Casework Shop	12 3200	1.6.C	0		In Review
	Drawings	Drawings and Samples					

**Transmitted By: Mary Chan**

Received By: \_\_\_\_\_ /\_\_\_\_\_/\_\_\_\_\_  
 Signature Print Name Date

**Copies To**

**Company Contact**



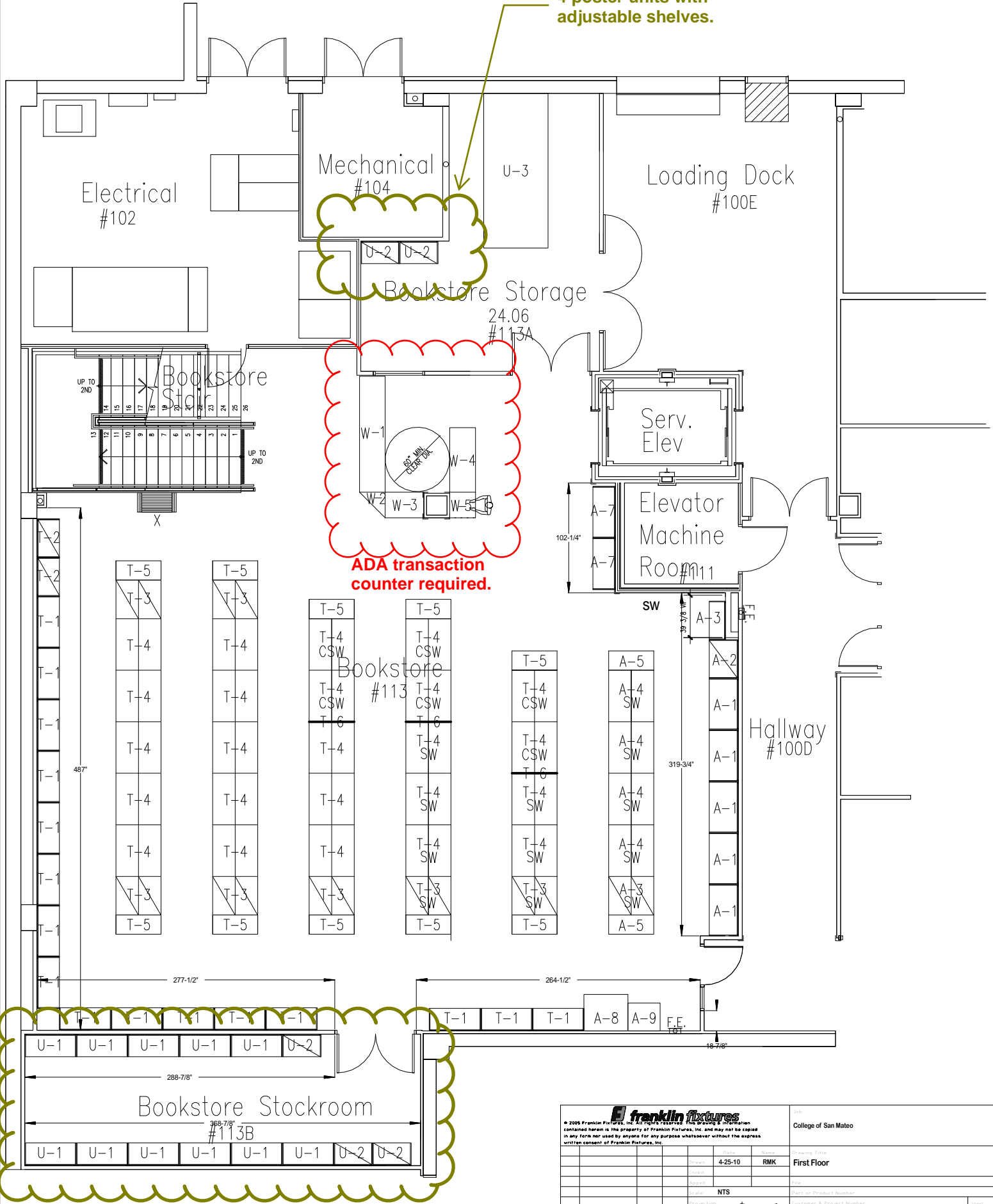
**Submittal Approval Page**  
By Submittal Item

**College of San Mateo - CIP2**  
**Project # 006169**  
 1700 W. Hillsdale Blvd.  
 San Mateo, CA 94402

Tel: 650-638-9370 Fax: 650-638-9377

Preparer Approval	McCarthy Approval																								
<table style="width: 100%; border-collapse: collapse;"> <tr> <th style="text-align: left;">Spec Section</th> <th style="text-align: left;">Sub Section</th> <th style="text-align: left;">Item No</th> <th style="text-align: left;">Revision</th> </tr> <tr> <td>12 3200</td> <td>1.6.C</td> <td>2,220</td> <td>0</td> </tr> <tr> <td colspan="4">Bookstore Casework Shop Drawings and Samples</td> </tr> <tr> <td colspan="4" style="text-align: center;"><b>Approved for Submission</b></td> </tr> <tr> <td colspan="4" style="text-align: center;">By: Ted Baylis</td> </tr> <tr> <td colspan="4" style="text-align: center;">Franklin Fixtures Inc</td> </tr> </table>	Spec Section	Sub Section	Item No	Revision	12 3200	1.6.C	2,220	0	Bookstore Casework Shop Drawings and Samples				<b>Approved for Submission</b>				By: Ted Baylis				Franklin Fixtures Inc				<p>This review is for general conformance with Plans and Specifications only. Any deviations from same not clearly noted by the Preparer have not been reviewed. Review shall not constitute a complete check of detailed dimensions or count or serve to relieve the Preparer of contractual responsibility for any error or deviation from contract requirements.</p> <p>By: <u>Mary Chan</u> Date: <u>06/04/2010</u></p> <p style="text-align: center;">Submittal Package No: 12 3200-0007-0 Bookstore Casework and Samples</p>
Spec Section	Sub Section	Item No	Revision																						
12 3200	1.6.C	2,220	0																						
Bookstore Casework Shop Drawings and Samples																									
<b>Approved for Submission</b>																									
By: Ted Baylis																									
Franklin Fixtures Inc																									
LPA Inc Approval	Engineer Approval																								
<p style="text-align: center;">1548 Eureka Rd Suite 101 Roseville, CA 95661</p> <p>Review and commentary noted below are only for general conformance with (1) the design concept of the project and (2) the information given in the contract documents and for no other purpose. Commentary below is subject to the requirements of the contract documents. The Contractor is not relieved from the responsibility for any deviation from the requirements of the contract documents, errors or omissions in drawings, calculations or samples, confirmation and correlation of dimensions at the job site, fabrication process and techniques of construction, coordination of his work with that of all other trades and satisfactory performance of his work.</p> <p style="text-align: center;">_____ Project No.                      _____ Submittal No.</p> <p><input type="checkbox"/> Reviewed                      <input type="checkbox"/> Submit Specified Item</p> <p><input checked="" type="checkbox"/> Make Corrections Noted    <input type="checkbox"/> Rejected</p> <p><input type="checkbox"/> Revise and Resubmit</p> <p>LPA, Inc. By: _____ Date: <u>06/09/2010</u></p> <p style="font-size: 2em; font-family: cursive; margin-left: 20px;"><i>James Raver</i></p> <p><b>1. Sample of Almond Melamine needs to be submitted for review.</b></p> <p><b>2. TBD Cherry should be Blossom Cherry, to match building laminates.</b></p> <p><b>3. All slotwall and casework in the C-Store to be Hardrock Maple, with solid surface Canyon tops at counters.</b></p> <p><b>4. Units that infill between columns and furring shall be scribed to fit and center unit in opening. Detail not provided for review.</b></p>	<div style="border: 2px dashed green; border-radius: 20px; padding: 10px; margin-top: 20px;"> <p style="color: green; font-weight: bold;">Comments in green were from meeting with Barry Chin, James Peacock, Mary Chan, Katy Barr, Jim Raver</p> <p style="color: green; font-weight: bold;">Revise and resubmit elliptical table, 4 posted shelving, Help desk / table for further review.</p> <p style="color: green; font-weight: bold;">Hardware and slot wall hooks to be coordinated with James Peacock and scope verified.</p> </div>																								

4 poster units with adjustable shelves.



All shelving in this room to be 4 poster units with adjustable shelves no base.

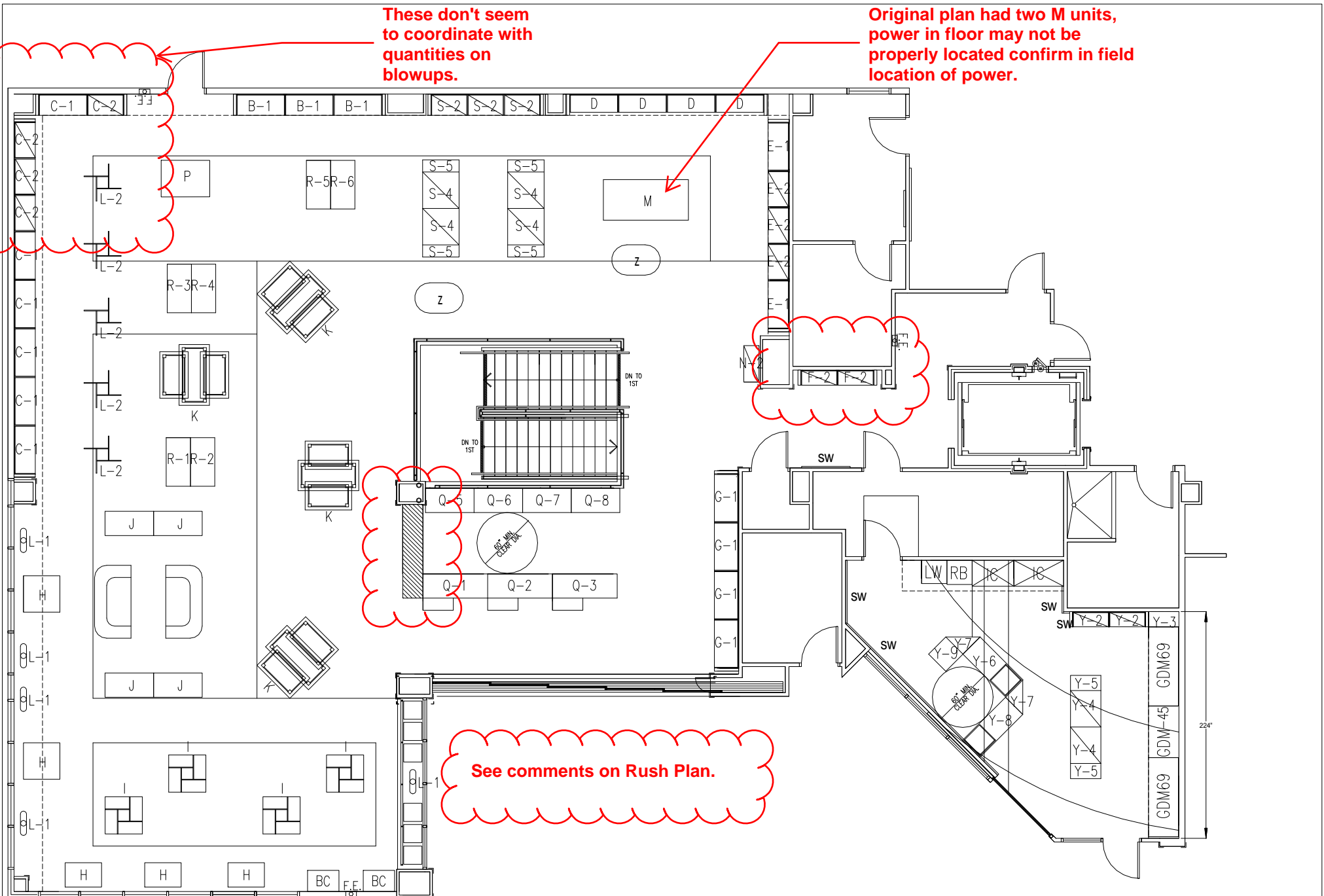
		2009 Franklin Fixtures, Inc. All Rights Reserved. The Drawing & Information contained herein is the property of Franklin Fixtures, Inc. and may not be copied in any form nor used by anyone for any purpose whatsoever without the express written consent of Franklin Fixtures, Inc.	
Client	College of San Mateo	Project Name	First Floor
Drawn	4-25-10	Revised	RMK
Checked		Scale	1/8" = 1'-0"
Project	NTS	Part or Product Number	
Proprietor		Customer & Project Number	
File No.		Sheet	1 of 1
20 Patterson Brook Road, West Wareham, MA 02576-1216 Phone (508) 291-1475 Fax (508) 291-3647			



These don't seem to coordinate with quantities on blowups.

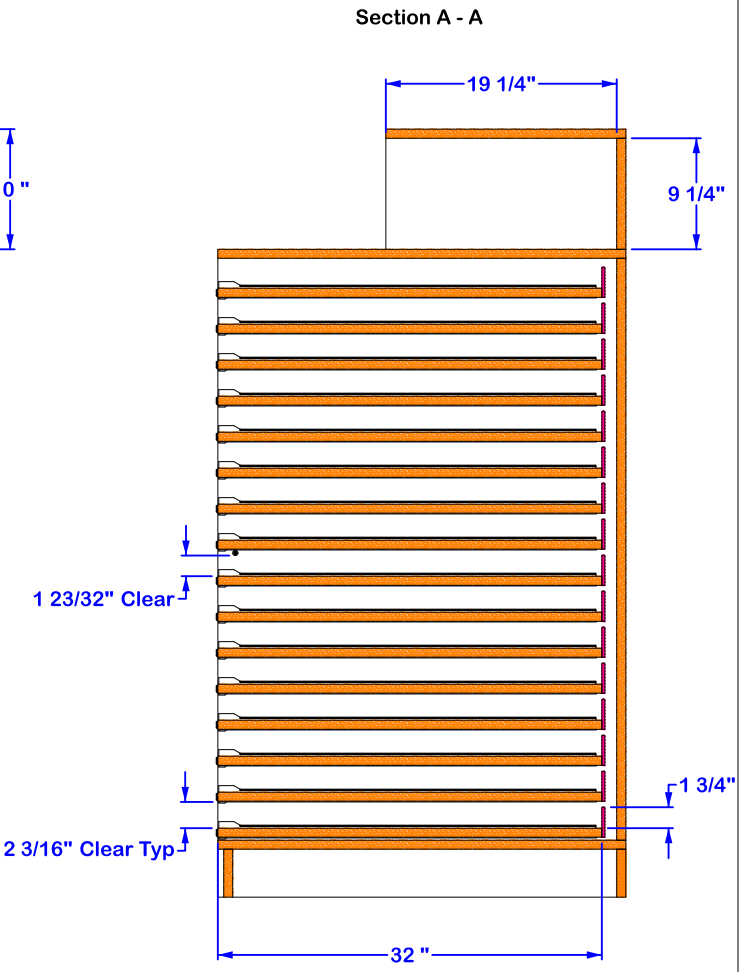
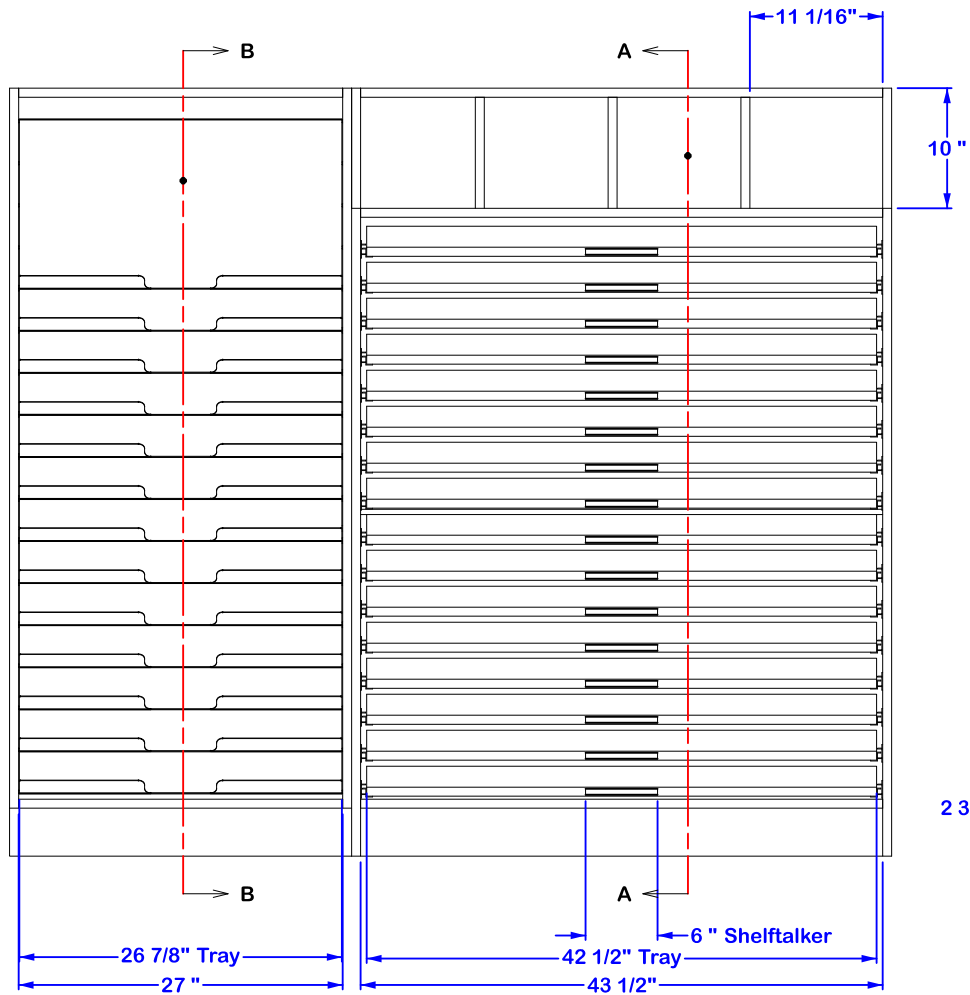
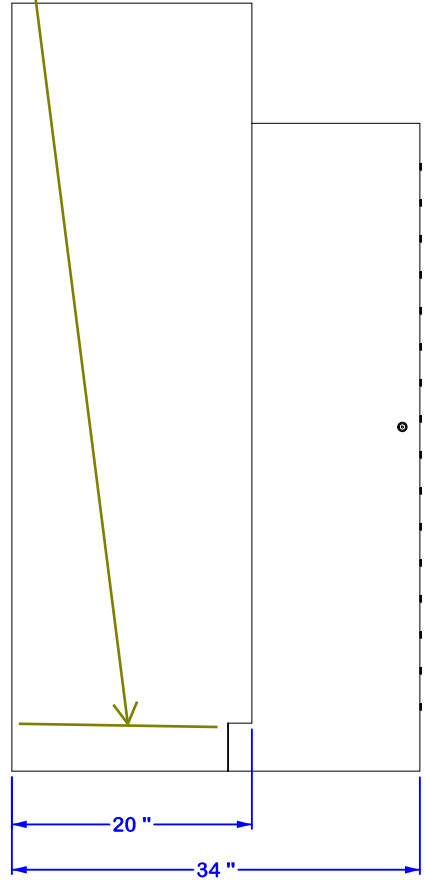
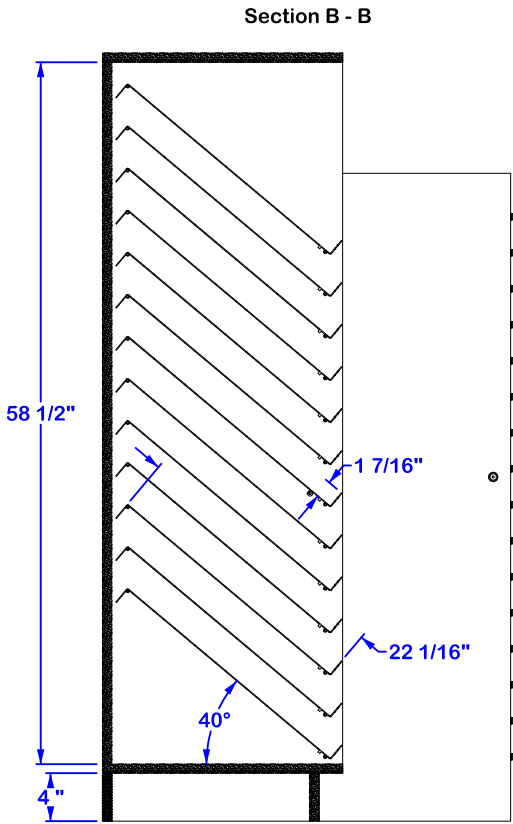
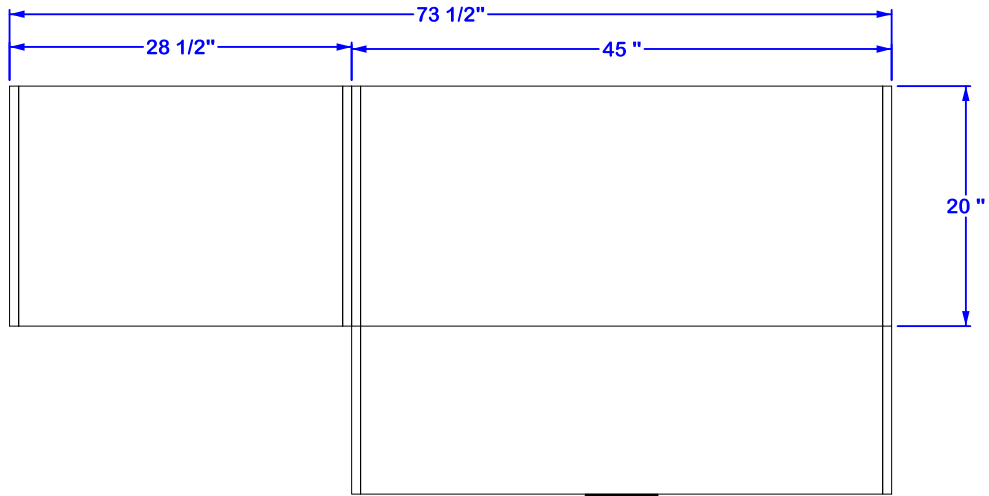
Original plan had two M units, power in floor may not be properly located confirm in field location of power.

See comments on Rush Plan.



		College of San Mateo	
<small>© 2009 Franklin Fixtures, Inc. All rights reserved. This document contains information that is the property of Franklin Fixtures, Inc. and may not be copied in any form nor used for any purpose whatsoever without the express written consent of Franklin Fixtures, Inc.</small>		Drawing Title: Non Rush Second Floor	
Date:	4/26/10	Author:	RMK
Scale:	NTS	Check:	
Project:		Drawn by:	
Client:		Reviewed by:	
Location:		Project Manager:	
Sheet:		Job:	
20 Patterson Brook Road, West Wareham, MA 02576-1216 Phone (508) 291-1475 Fax (508) 291-3647		1 of 1	

Add reveal to carry base line around end of unit. Typical.



**franklin fixtures**  
**Franklin Fixtures, Inc.**  
 20 Patterson Brook Road  
 West Wareham, MA 02576  
 (508) 291-1475 Voice  
 (508) 291-3647 Fax  
 info@franklinfixtures.com  
 www.franklinfixtures.com

PROPRIETARY & CONFIDENTIAL. ©2009 Franklin Fixtures Inc. All Rights Reserved. The information contained in this drawing is the sole property of Franklin Fixtures, Inc. Any reproduction or transmission in whole or in part without the written permission of Franklin Fixtures, Inc. is strictly prohibited.

Material **TBD Cherry UON**

Finish  
 Project **College of San Mateo Project #8320**

Drawn By: DNT 05/20/2010  
 Checked By:  
 Approved:  
 Released:

3rd Angle Projection

Comments

TITLE:  
**Art Paper Installation**  
 8320-91 ART "A8"  
 8320-92 ART "A9"  
 8320-93 BIN

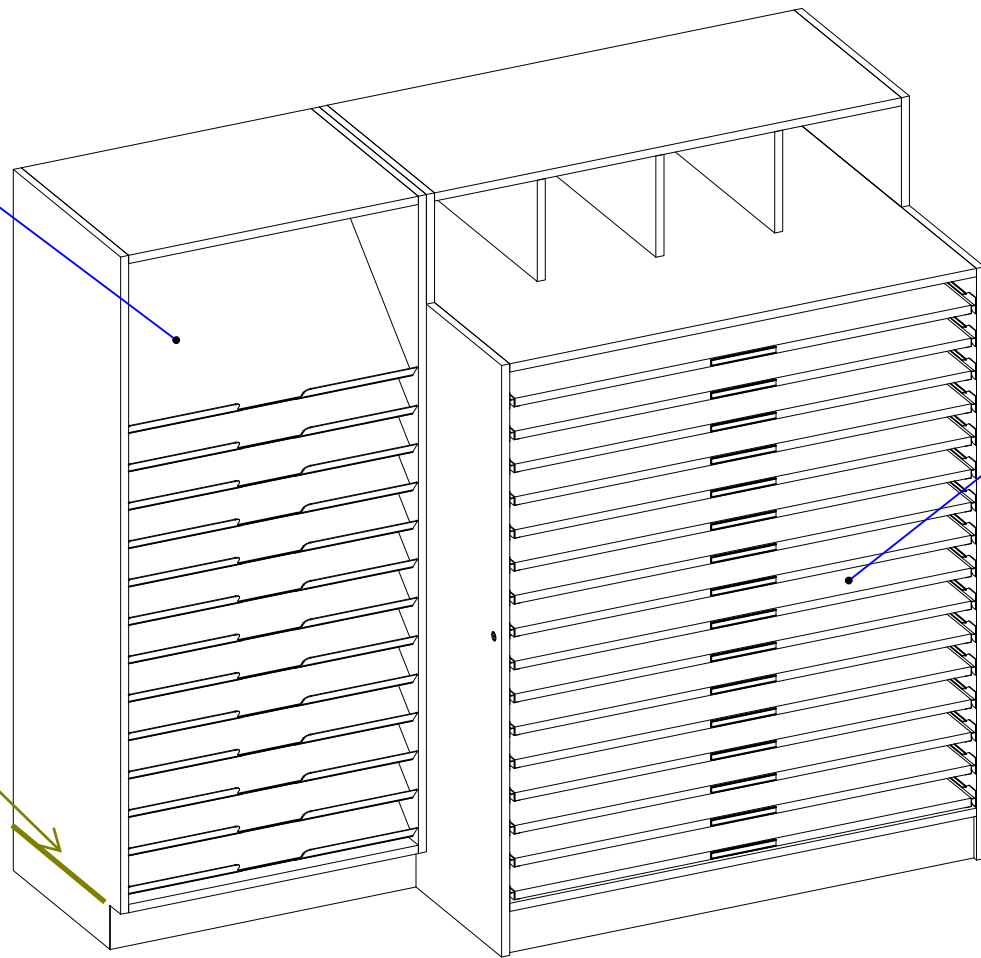
Size **B** Scale: 1:16

Art Paper Installation  
 S:\Projects\Customers Name, Location, Project #San Mateo Community  
 Wt: 950 lbs Sheet 1/2

Add reveal to carry base line around end of unit. Typical.

Steel Shelves Painted to Match Almond Melamine

Almond Melamine Trays w/ Hardboard Shelfbacks



**franklin fixtures**  
**Franklin Fixtures, Inc.**  
 20 Patterson Brook Road  
 West Wareham, MA 02576  
 (508) 291-1475 Voice  
 (508) 291-3647 Fax  
 info@franklinfixtures.com  
 www.franklinfixtures.com

PROPRIETARY & CONFIDENTIAL. ©2009 Franklin Fixtures Inc. All Rights Reserved. The information contained in this drawing is the sole property of Franklin Fixtures, Inc. Any reproduction or transmission in whole or in part without the written permission of Franklin Fixtures, Inc. is strictly prohibited.

Material **TBD Cherry UON**

Finish

Project **College of San Mateo Project #8320**

Drawn By:	DNT	05/20/2010
Checked By:		
Approved:		
Released:		

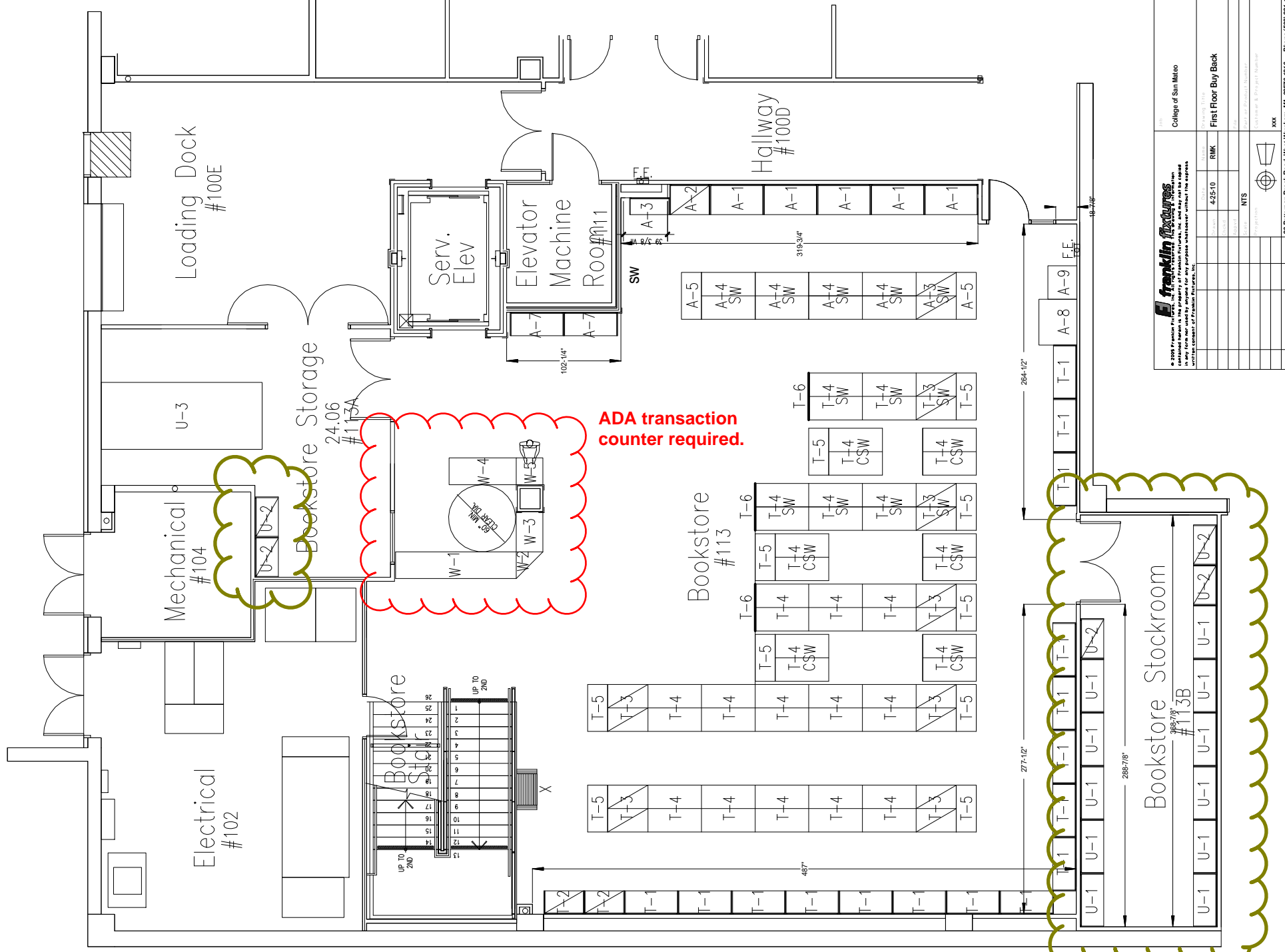
3rd Angle Projection

Comments

TITLE:  
**Art Paper Installation**  
**8320-91 ART "A8"**  
**8320-92 ART "A9"**  
**8320-93 BIN**

Size **B** Scale: 1:16

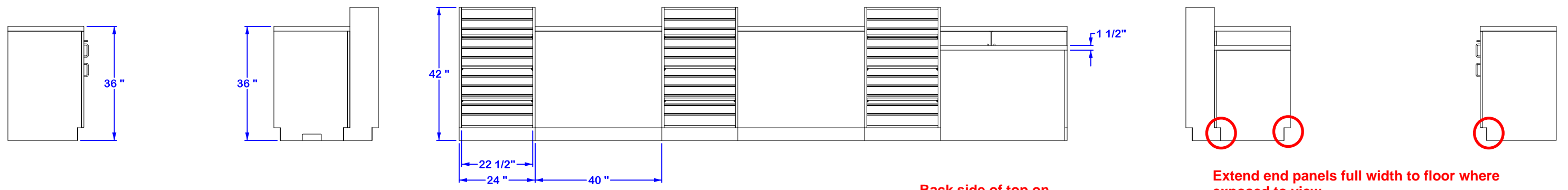
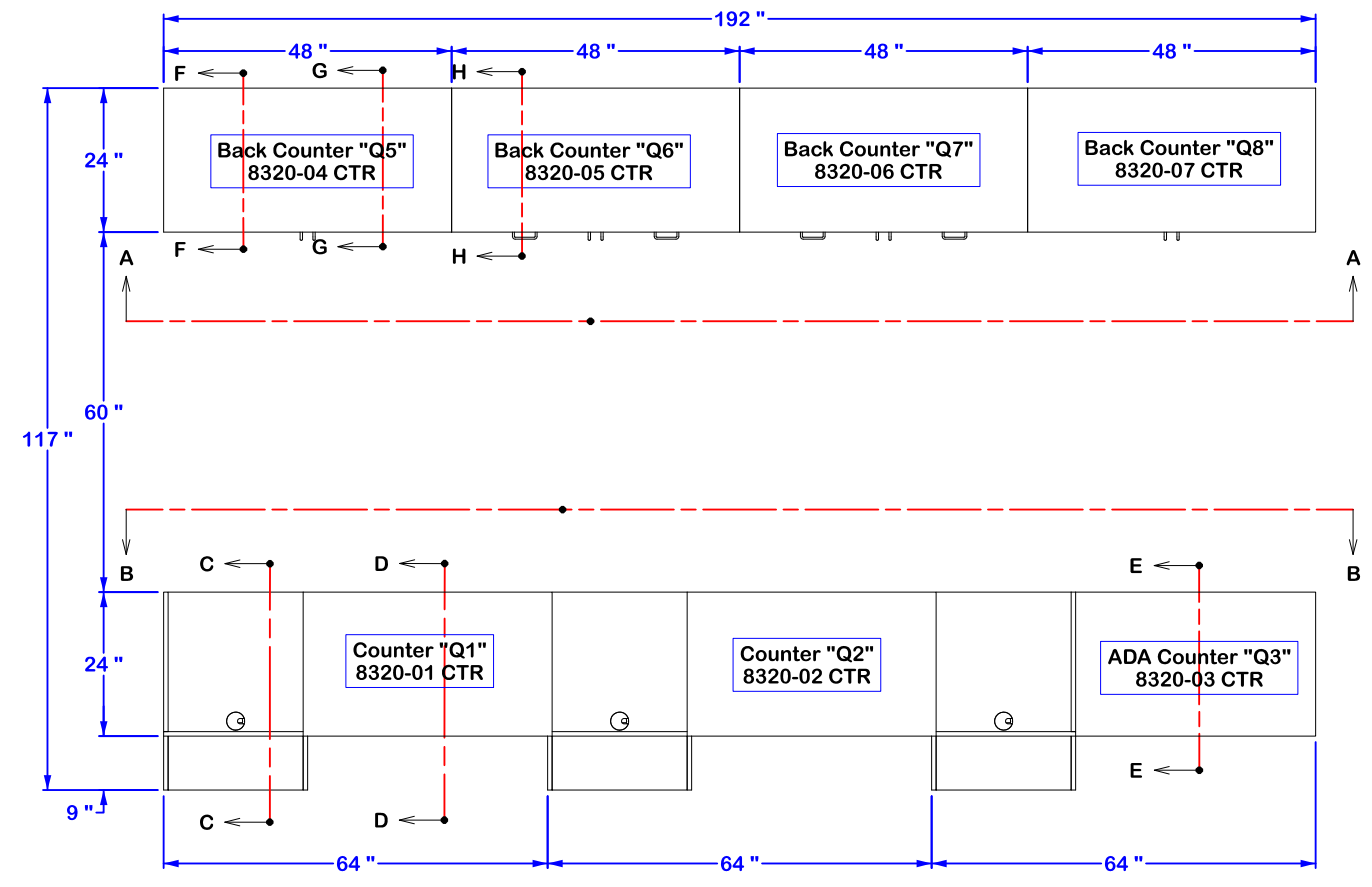
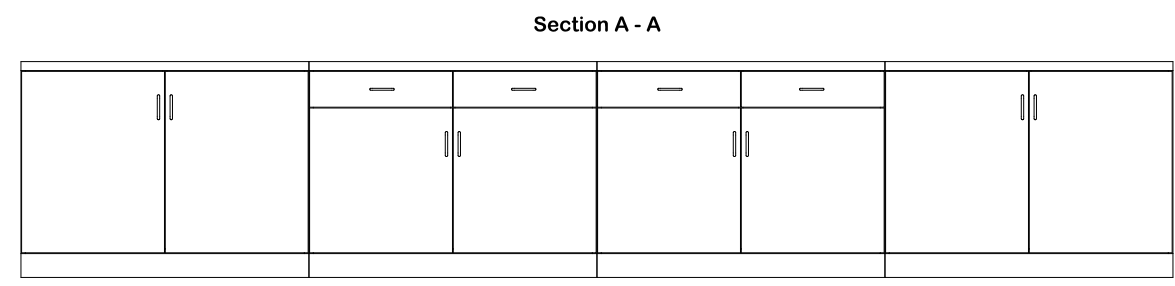
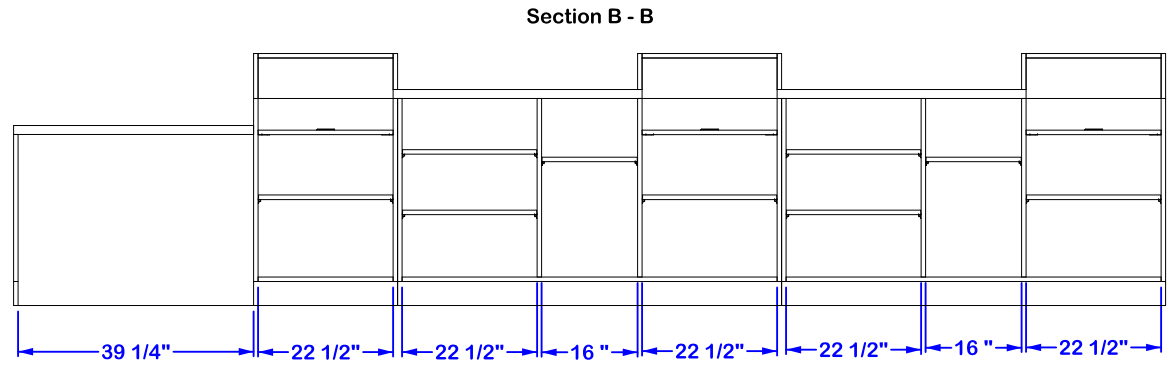
Art Paper Installation  
 S:\Projects\Customers Name, Location, Project #\San Mateo Community  
 Wt: 950 lbs Sheet 2/2



**franklin fixtures**  
 A 2004 Franklin Fixtures, Inc. (FFI) design. All rights reserved. FFI is the property of Franklin Fixtures, Inc. and may not be copied or reproduced in any form without the express written consent of Franklin Fixtures, Inc.

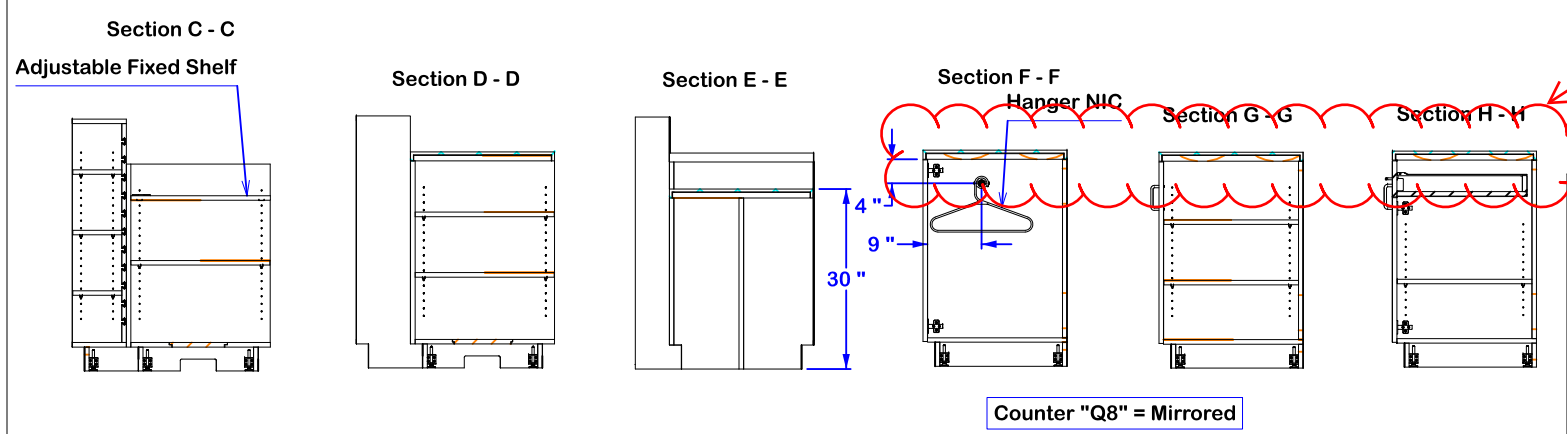
Client	College of San Mateo
Project Name	First Floor Buy Back
Project No.	4-25-10
Revision	NTS
Scale	XXX
Author	XXXXXXXXXXXXXXXXXXXX
Checker	XXXXXXXXXXXXXXXXXXXX
Appr.	XXXXXXXXXXXXXXXXXXXX
Date	XXXXXXXXXX





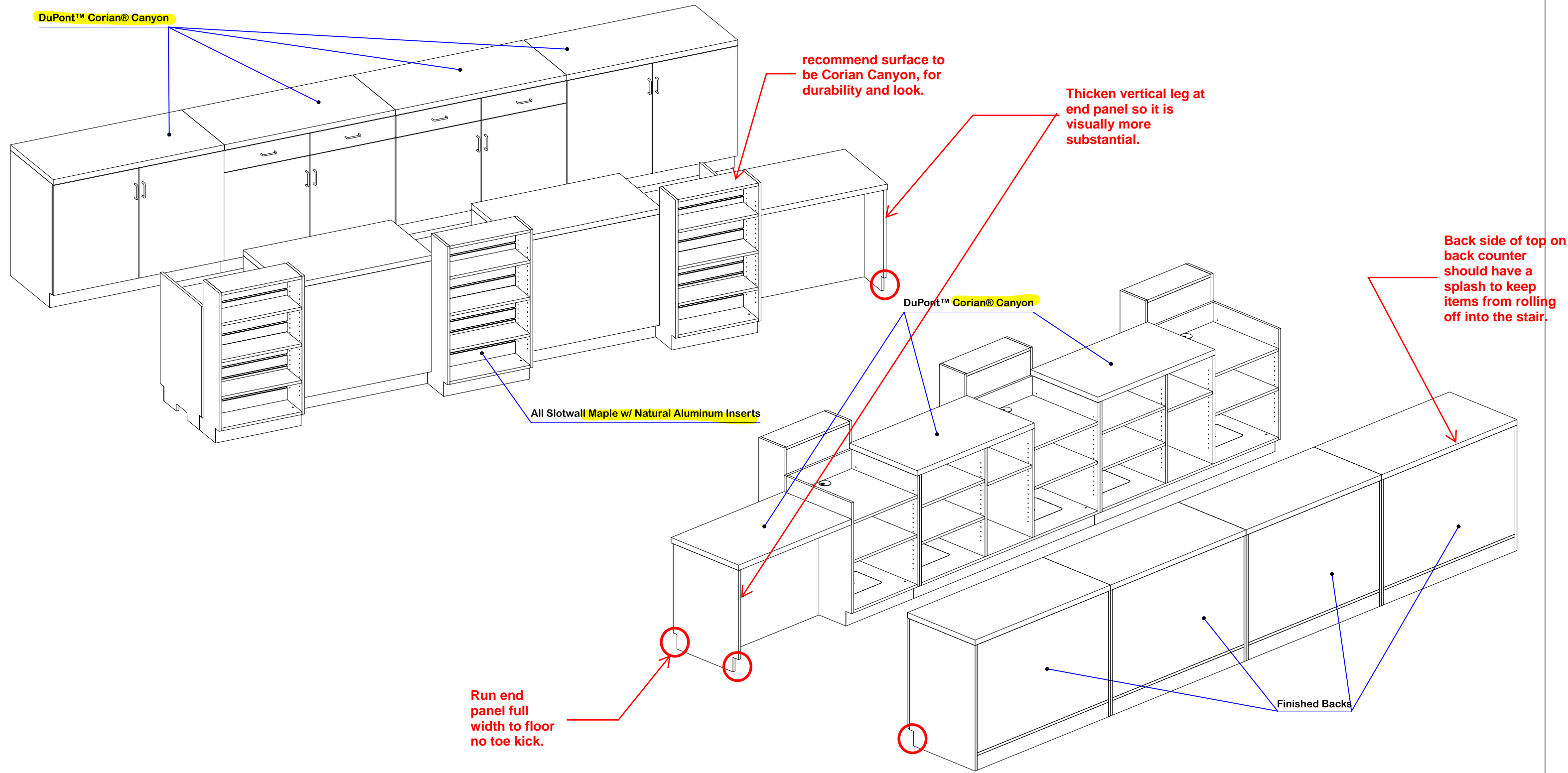
Extend end panels full width to floor where exposed to view.

Back side of top on back counter should have a splash to keep items from rolling off into the stair.



**franklin fixtures**  
Franklin Fixtures, Inc.  
20 Patterson Brook Road  
West Wareham, MA 02576  
(508) 291-1475 Voice  
(508) 291-3647 Fax  
info@franklinfixtures.com  
www.franklinfixtures.com

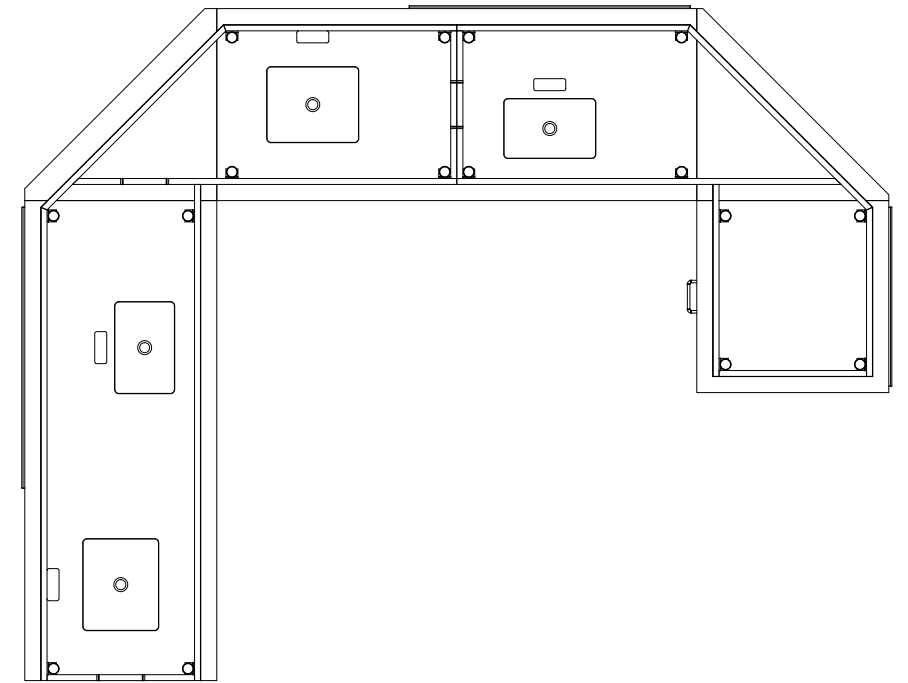
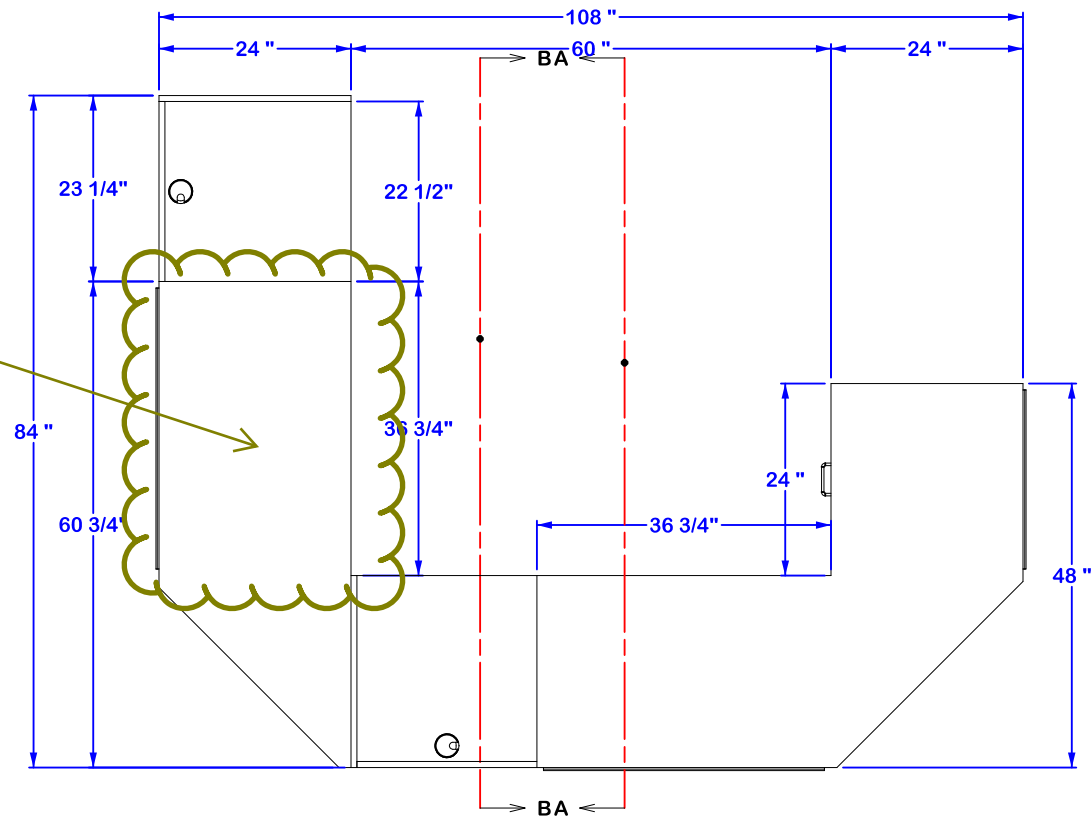
PROPRIETARY & CONFIDENTIAL. ©2009 Franklin Fixtures Inc. All Rights Reserved. The information contained in this drawing is the sole property of Franklin Fixtures, Inc. Any reproduction or transmission in whole or in part without the written permission of Franklin Fixtures, Inc. is strictly prohibited.		Drawn By: DNT Checked By: Approved: Released:	05/19/2010    	<b>TITLE:</b> Checkout Counter Installation
Material: <b>Black Melamine Interior</b> <b>TBD Cherry Exterior UON</b>	Finish:	3rd Angle Projection	Project: <b>College of San Mateo</b> <b>Project #8320</b>	Size <b>B</b> Scale: 1:32 Checkout Counter Installation <small>S:\Projects\Customers Name, Location, Project #\San Mateo Community</small> Wt: 1584 lbs Sheet 1/2



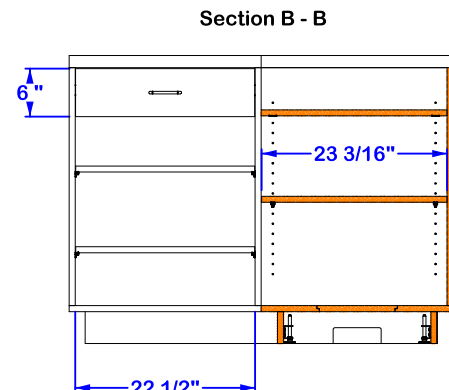
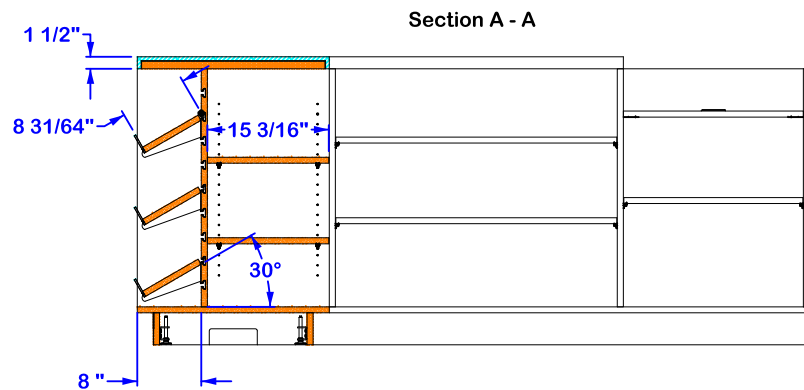
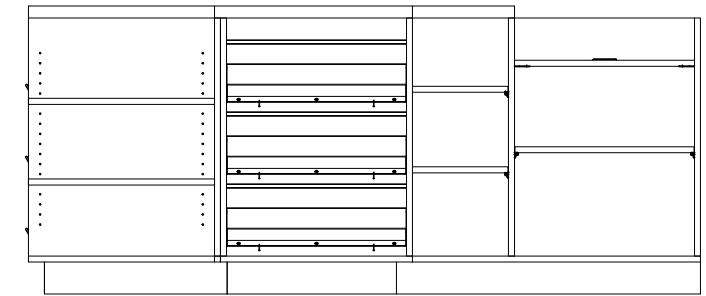
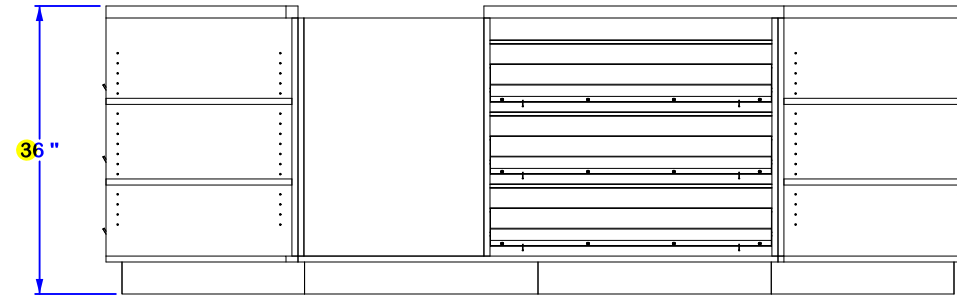
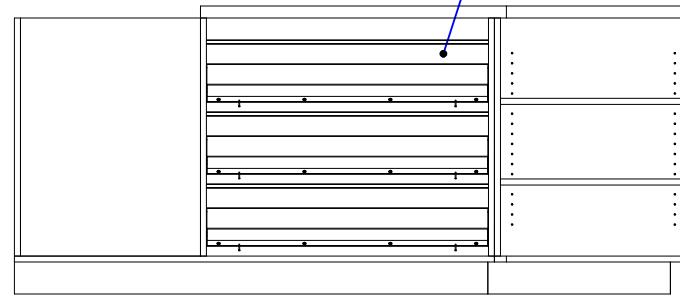
<b>franklin fixtures</b> <b>Franklin Fixtures, Inc.</b> 20 Patterson Brook Road West Wareham, MA 02576 (508) 291-1475 Voice (508) 291-3647 Fax info@franklinfixtures.com www.franklinfixtures.com	PROPRIETARY & CONFIDENTIAL. ©2009 Franklin Fixtures Inc. All Rights Reserved. The information contained in this drawing is the sole property of Franklin Fixtures, Inc. Any reproduction or transmission in whole or in part without the written permission of Franklin Fixtures, Inc. is strictly prohibited.			Drawn By: DNT 05/19/2010	<b>TITLE:</b> <b>Checkout Counter Installation</b>
	Material Black Melamine Interior TBD Cherry Exterior UON	Checked By:	Approved:	Released:	Size <b>B</b>
	Finish	3rd Angle Projection		Scale: 1:24	
	Project College of San Mateo Project #8320	Comments		Checkout Counter Installation S:\Projects\Customers Name, Location, Project #\San Mateo Community Wt: 1584 lbs Sheet 2/2	

ADA accessible station must be provided.

Make this section ADA accessible.



All Slotwall Maple w/ Natural Aluminum Inserts



**franklin fixtures**  
**Franklin Fixtures, Inc.**  
 20 Patterson Brook Road  
 West Wareham, MA 02576  
 (508) 291-1475 Voice  
 (508) 291-3647 Fax  
 info@franklinfixtures.com  
 www.franklinfixtures.com

PROPRIETARY & CONFIDENTIAL. ©2009 Franklin Fixtures Inc. All Rights Reserved. The information contained in this drawing is the sole property of Franklin Fixtures, Inc. Any reproduction or transmission in whole or in part without the written permission of Franklin Fixtures, Inc. is strictly prohibited.

Material: **Almond Melamine Interior**  
**TBD Maple Exterior UON**

Finish:  
 Project: **College of San Mateo**  
**Project #8320**

Drawn By: DNT 05/20/2010  
 Checked By:  
 Approved:  
 Released:

3rd Angle Projection

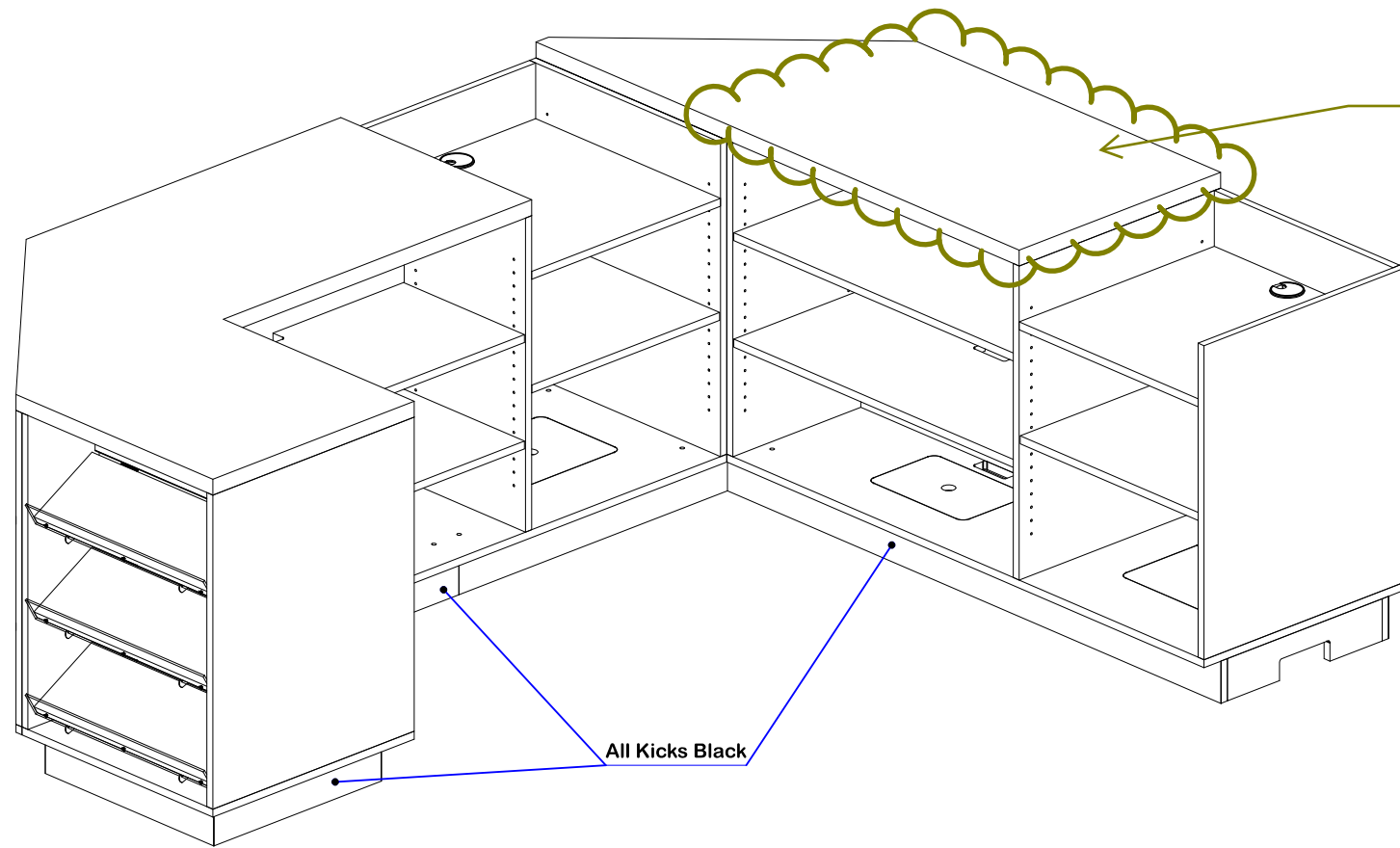
Comments

TITLE:  
**Convenience Area Counter "Y"  
 Installation**

Size **B** Scale: 1:24

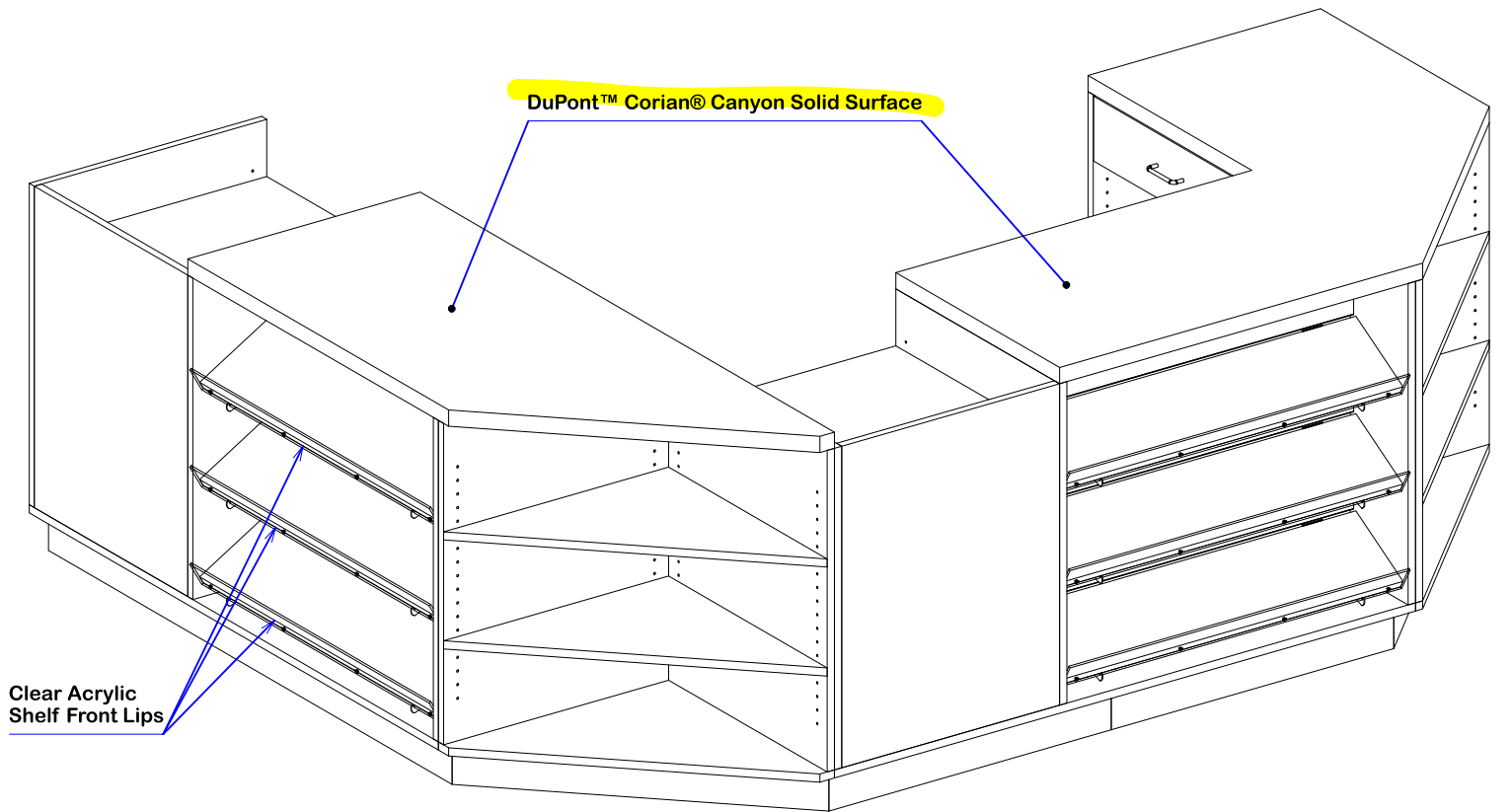
Convenience Counter "Y"  
 S:\Projects\Customers Name, Location, Project #\San Mateo Community

Wt: 653 lbs Sheet 1/2



ADA Accessible section

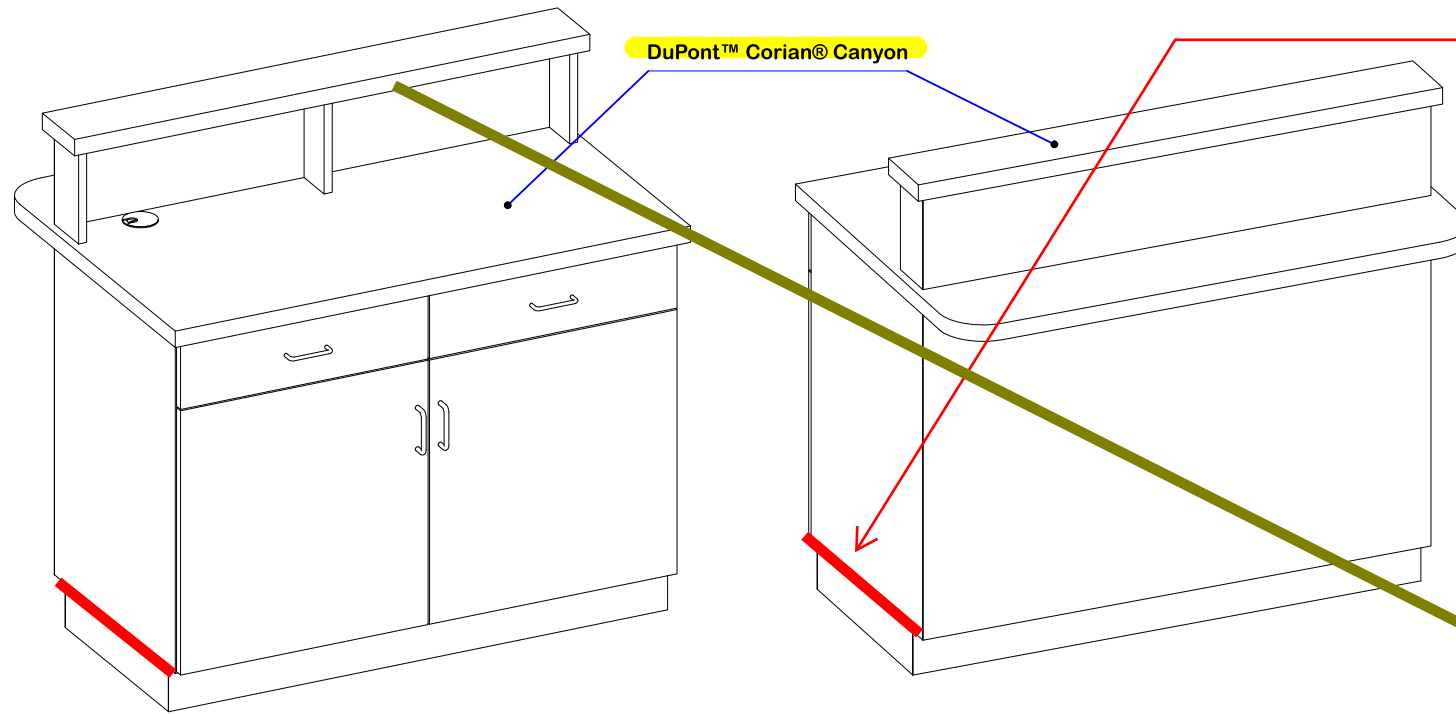
All Kicks Black



DuPont™ Corian® Canyon Solid Surface

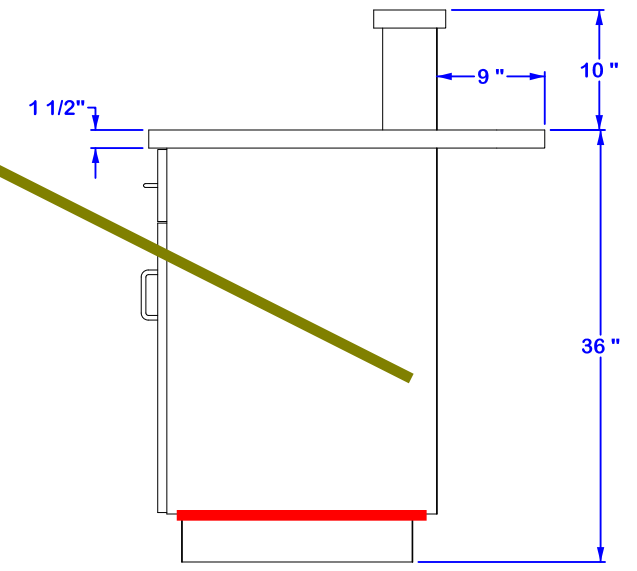
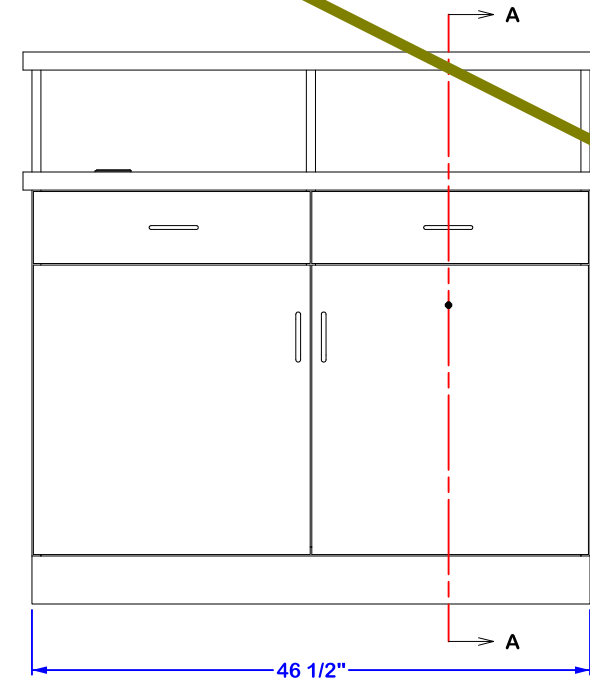
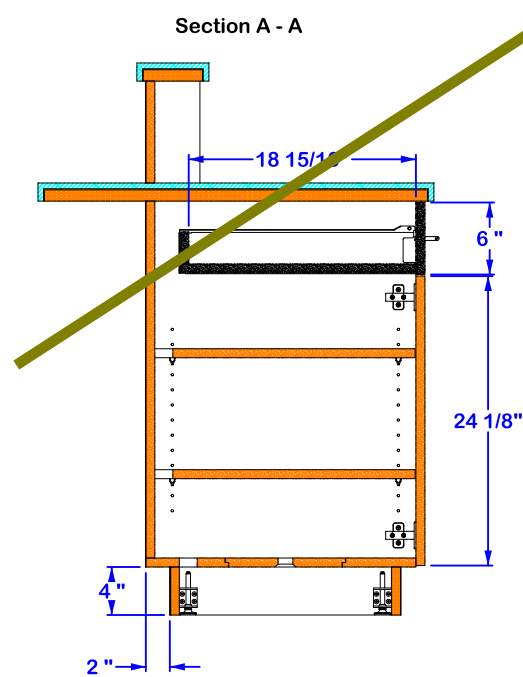
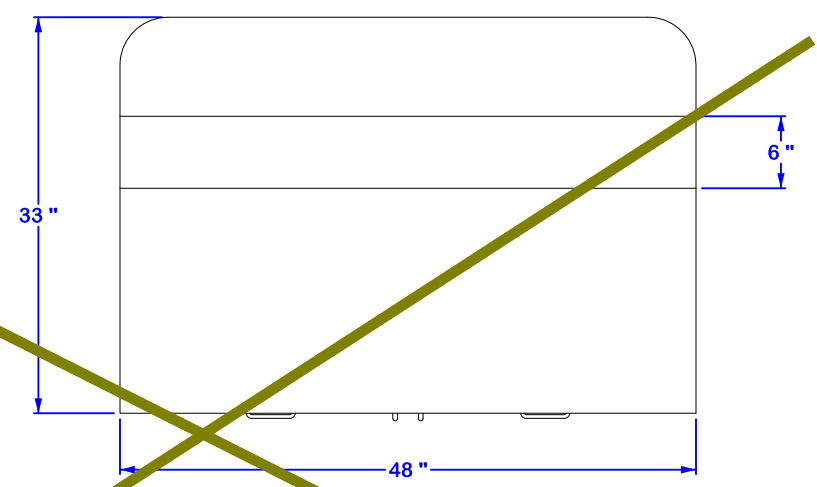
Clear Acrylic Shelf Front Lips

<b>franklin fixtures™</b> <b>Franklin Fixtures, Inc.</b> 20 Patterson Brook Road West Wareham, MA 02576 (508) 291-1475 Voice (508) 291-3647 Fax info@franklinfixtures.com www.franklinfixtures.com	PROPRIETARY & CONFIDENTIAL. ©2009 Franklin Fixtures Inc. All Rights Reserved. The information contained in this drawing is the sole property of Franklin Fixtures, Inc. Any reproduction or transmission in whole or in part without the written permission of Franklin Fixtures, Inc. is strictly prohibited.			Drawn By: DNT 05/20/2010	<b>TITLE:</b> <b>Convenience Area Counter "Y" Installation</b>
	Material: <b>Almond Melamine Interior</b> <b>TBD Maple Exterior UON</b>	Checked By:	Approved:	Released:	
	Finish:	3rd Angle Projection			
	Project: <b>College of San Mateo</b> <b>Project #8320</b>	Comments:			
				Size <b>B</b>	Scale: 1:16
				Wt: 653 lbs	Sheet 2/2



Add reveal in side panel for toe kick base.

Revise this item to a tapered leg table with (1) pencil drawer 48"x 30" x 42"high



Quan	Description	Label	Material	Width	Length	Th	CNC	Index
2	Wire Pull	-	steel	-	-	-	-	-
2	Post-laminate, Kick	8320-08 CTR K PLAM	HPL	4.000	46.500	0.031	-	-
1	Post-laminate, Front	8320-08 CTR FT PLAM	HPL	46.500	30.500	0.031	-	-
1	Post-laminate, Buildup Front	8320-08 CTR BU FT PLAM	HPL	46.500	8.500	0.031	-	-
1	Partition	8320-08 CTR PART	MDF	21.750	29.750	0.750	-	-
2	Metabox	FFI 022-0073	-	-	-	-	-	-
2	cross recessed pan head screw M5-6	-	steel	-	-	-	-	-
1	Wire Pull	FFI 022-0050	steel	-	-	-	-	-
1	Right Fixing Bracket	FFI 022-0031	steel	-	-	-	-	-
1	Right Drawer Member	-	steel	-	-	-	-	-
1	Right Cabinet Member	-	steel	-	-	-	-	-
1	Left Fixing Bracket	FFI 022-0030	steel	-	-	-	-	-
1	Left Drawer Member	-	steel	-	-	-	-	-
1	Left Cabinet Member	-	steel	-	-	-	-	-
1	Drawer Front	-	MDF	23.063	6.000	0.750	-	-
1	Drawer Bottom	-	MDF	19.606	20.905	0.750	-	-
1	Drawer Back	-	MDF	2.677	20.905	0.750	-	-
6	Blum M5 x 13.0	-	steel	-	-	-	-	-
3	O6x.625	-	steel	-	-	-	-	-
4	Leveller	FFI 028-0050	-	-	-	-	-	-
1	Kick, Front	8320-08 CTR FK	Particleboard	4.000	45.000	0.750	-	-
1	Kick, Back	8320-08 CTR BK	Particleboard	4.000	45.000	0.750	-	-
1	Hinged Door, Right	8320-08 CTR RHDOOR	MDF	23.063	24.125	0.750	-	-
1	Hinged Door, Left	8320-08 CTR LHDOOR	MDF	23.063	24.125	0.750	-	-
4	Hinge	-	steel	-	-	-	-	-
1	Mounting Plate	-	steel	-	-	-	-	-
1	Hinge	-	steel	-	-	-	-	-
1	Grommet	FFI 028-0003	Nylon	-	-	-	-	-
1	Front, Buildup	8320-08 CTR BU FT	MDF	45.000	8.500	0.750	-	-
1	Front	8320-08 CTR FT	MDF	45.000	29.750	0.750	-	-
4	Flat Shelf	-	-	-	-	-	-	-
4	Shelf Pin	-	-	-	-	-	-	-
1	Flat Shelf	-	MDF	21.688	22.000	0.750	-	-
1	End Panel, Right	8320-08 CTR REP	MDF	22.500	34.500	0.750	-	-
1	End Panel, Left	8320-08 CTR LEP	MDF	22.500	34.500	0.750	-	-
1	Countertop Substrate	8320-08 CTR TOP	Particleboard	31.930	46.930	0.938	-	-
1	Countertop	8320-08 CTR TOP	Corian	33.000	48.000	1.500	-	-
1	Buildup Substrate	8320-08 CTR BU TOP	Particleboard	4.930	46.930	0.938	-	-
1	Buildup Partition	8320-08 CTR BU PART	MDF	3.750	8.500	0.750	-	-
1	Buildup End Panel, Right	8320-08 CTR BU REP	MDF	4.500	8.500	0.750	-	-
1	Buildup End Panel, Left	8320-08 CTR BU LEP	MDF	4.500	8.500	0.750	-	-
1	Buildup Countertop	8320-08 CTR BU TOP	Corian	6.000	48.000	1.500	-	-
1	Bottom	8320-08 CTR BT	MDF	22.500	45.000	0.750	-	-
2	Access Panel	-	MDF	10.000	12.000	0.750	P00425.CNO	-

**franklin fixtures**  
**Franklin Fixtures, Inc.**  
 20 Patterson Brook Road  
 West Wareham, MA 02576  
 (508) 291-1475 Voice  
 (508) 291-3647 Fax  
 info@franklinfixtures.com  
 www.franklinfixtures.com

PROPRIETARY & CONFIDENTIAL. ©2009 Franklin Fixtures Inc. All Rights Reserved. The information contained in this drawing is the sole property of Franklin Fixtures, Inc. Any reproduction or transmission in whole or in part without the written permission of Franklin Fixtures, Inc. is strictly prohibited.

Material: **Black Melamine Interior**  
**TBD Cherry Exterior UON**

Finish: [Blank]

Project: **College of San Mateo**  
**Project #8320**

Drawn By: DNT 05/19/2010  
 Checked By: [Blank]  
 Approved: [Blank]  
 Released: [Blank]

3rd Angle Projection [Symbol]

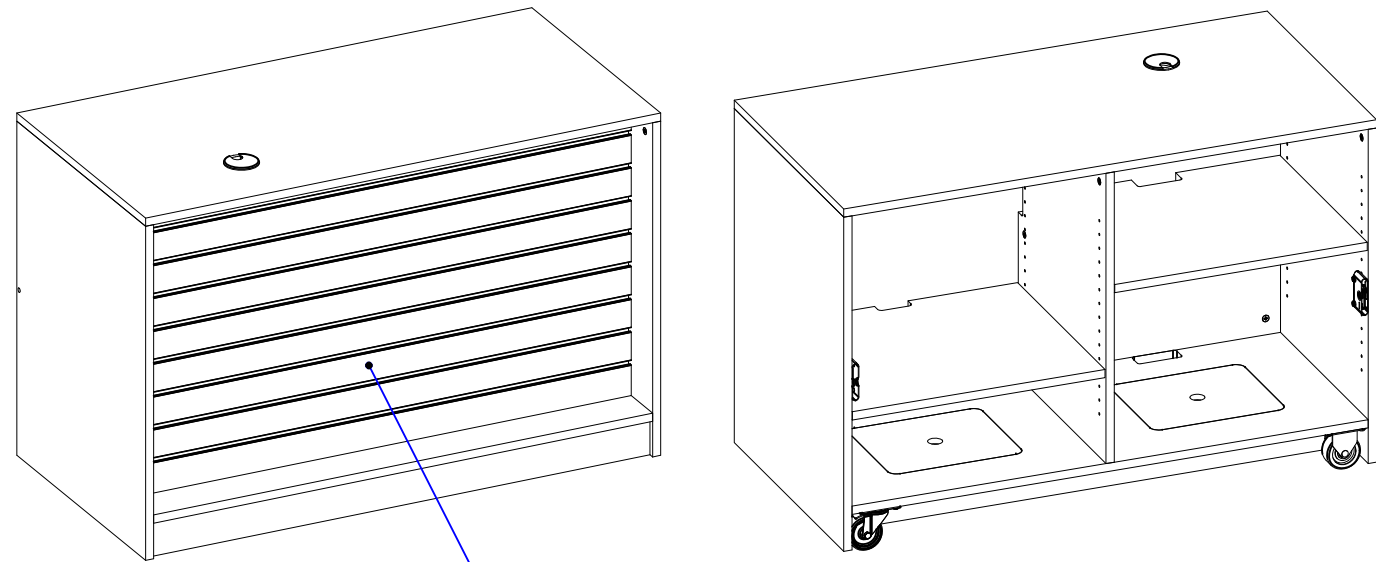
Comments: [Blank]

TITLE:  
**Clothing Info Counter "P"**  
**8320-08 CTR**

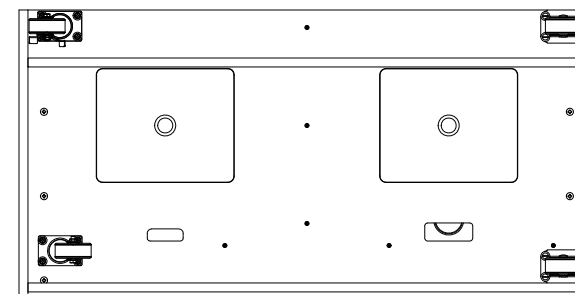
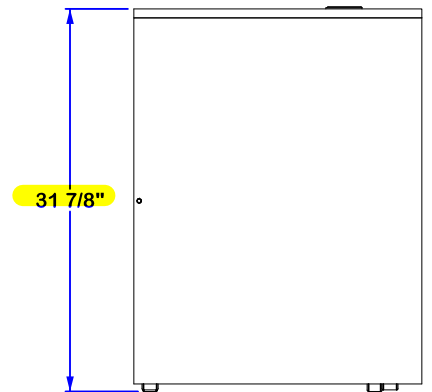
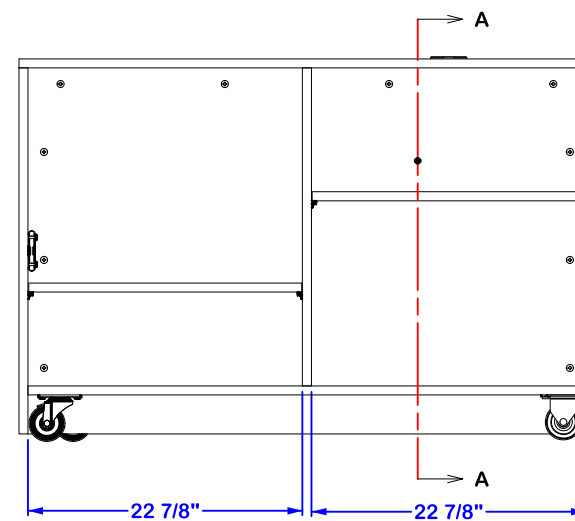
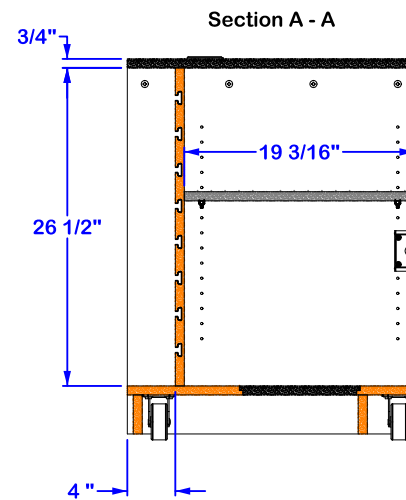
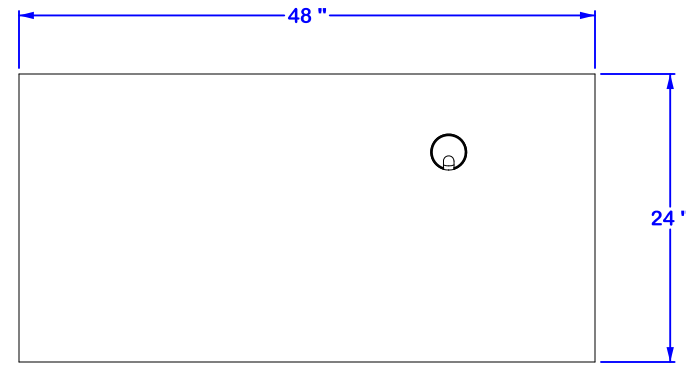
Size **B** Scale: 1:16

Line 08, CTR 'P'  
 S:\Projects\Customers Name, Location, Project#\San Mateo Community

Wt: 272 lbs Sheet 1/1



All Slotwall Maple w/ Natural Aluminum Inserts



7	wood screw cruciform nozzle Ø4 L40	-	steel	-	-	-	-	-
8	smooth pin 35x8	-	fagus	-	-	-	-	-
17	smooth pin 35x8	-	beech	-	-	-	-	-
1	Top	-	melamine	24.000	48.000	0.750	-	-
8	Slotwall Insert	FFI 026-0500	Particleboard	1.064	46.500	0.534	-	-
1	Right End Panel	-	melamine	24.000	30.500	0.750	-	-
1	R2 Receiver - Flush	-	Steel	-	-	-	-	-
1	R2 Latch - Flush	-	Steel	-	-	-	-	-
12	Pocket Screw	FFI 032-0112	steel	-	-	-	-	-
1	Partition	-	melamine	19.250	26.500	0.750	-	-
32	Minifix, Wood Thread	-	-	-	-	-	-	-
1	Minifix Pin	FFI 025-0052	steel	0.276	1.685	0.276	-	-
1	Minifix Cam	FFI 025-0035	zinc	0.591	0.591	0.551	-	-
1	Left End Panel	-	melamine	24.000	30.500	0.750	-	-
1	Kick	-	melamine	46.500	3.250	0.750	-	-
1	Grommet	FFI 028-0003	Particleboard	-	-	-	-	-
1	Front	-	melamine	46.500	26.500	0.750	-	-
1	Flat Shelf w/ Notch	-	-	-	-	-	-	-
4	Shelf Pin	-	-	-	-	-	-	-
1	Shelf	-	MDF	19.183	22.750	0.750	-	-
1	Flat Shelf	-	Particleboard	-	-	-	-	-
4	Shelf Pin	-	Particleboard	-	-	-	-	-
1	Flat Shelf	-	Particleboard	19.188	22.750	0.750	-	-
1	Caster, Swivel	045-0015	steel	-	-	-	-	-
2	Caster, Rigid	045-0016	steel	-	-	-	-	-
1	Brake	-	steel	-	-	-	-	-
1	Bottom	-	oak	24.000	46.500	0.750	-	-
1	Back Kick	-	melamine	46.500	3.250	0.750	-	-
2	Access Panel	-	MDF	10.000	12.000	0.750	P00425.CNO	-
Quan	Description	Label	Material	Width	Length	Th	CNC	Index

**franklin fixtures**  
**Franklin Fixtures, Inc.**  
 20 Patterson Brook Road  
 West Wareham, MA 02576  
 (508) 291-1475 Voice  
 (508) 291-3647 Fax  
 info@franklinfixtures.com  
 www.franklinfixtures.com

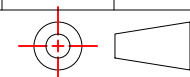
PROPRIETARY & CONFIDENTIAL. ©2009 Franklin Fixtures Inc. All Rights Reserved. The information contained in this drawing is the sole property of Franklin Fixtures, Inc. Any reproduction or transmission in whole or in part without the written permission of Franklin Fixtures, Inc. is strictly prohibited.

Material  
**TBD Cherry UON**

Finish  
 Project  
**College of San Mateo  
 Project #8320**

Drawn By: DNT 05/21/2010  
 Checked By:  
 Approved:  
 Released:

3rd Angle Projection



Comments

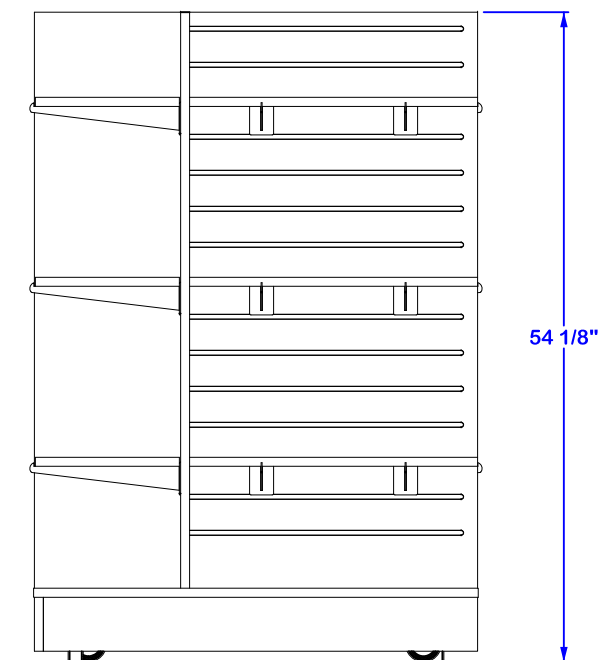
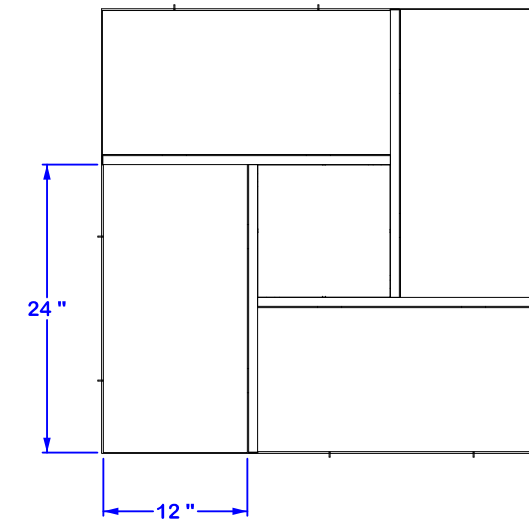
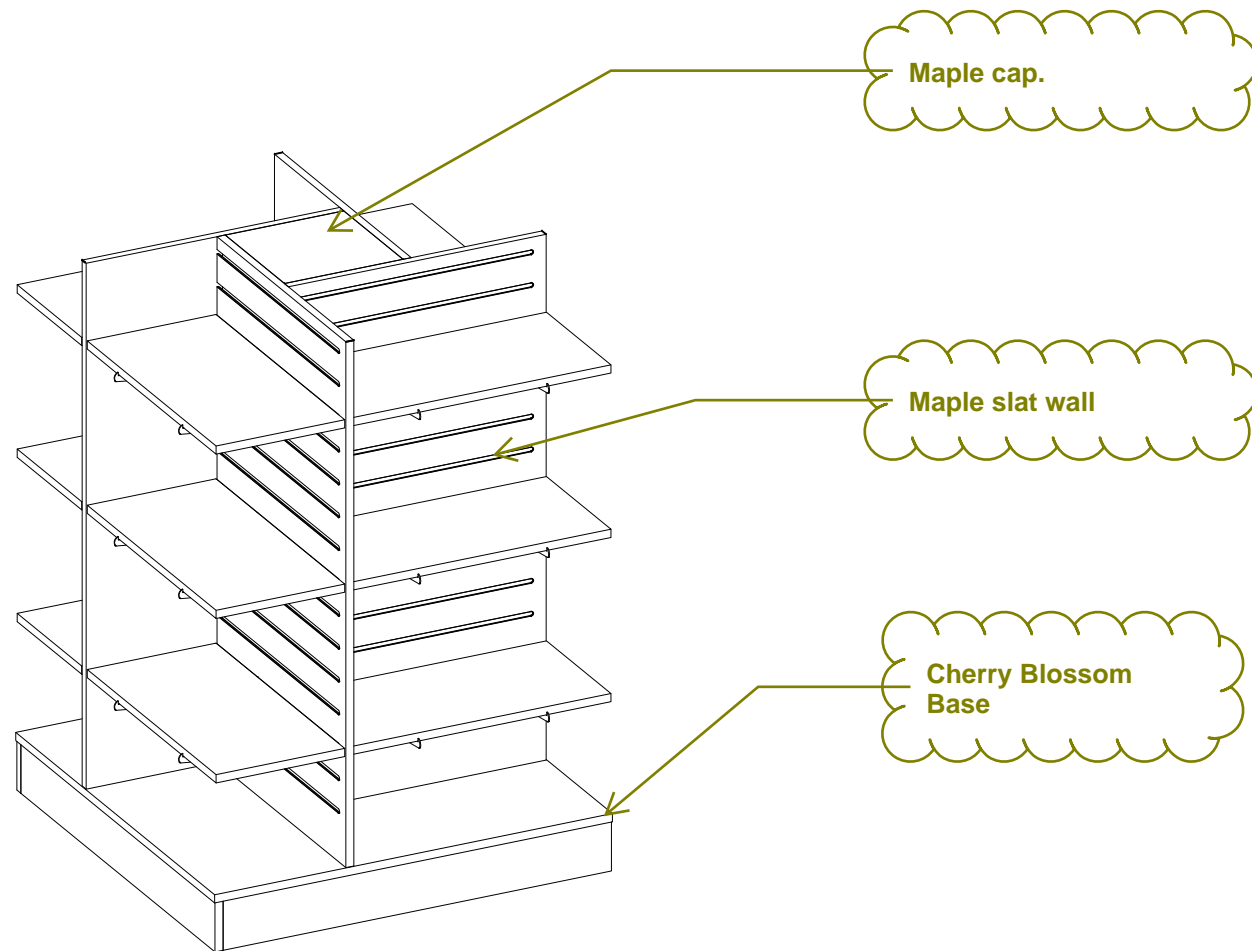
TITLE:  
**Rush Counter "R1-R6"**  
 8320-09 CTR

Size **B** Scale: 1:16

Line 09, CTR 'R1-R6'

S:\Projects\Customers Name, Location, Project #\San Mateo Community

Wt: 136 lbs Sheet 1/1



Quan	Description	Label	Material	Width	Length	Th	CNC	Index
1	Top	-	MDF	11.031	11.031	0.750	-	-
4	Slotwall Panel	-	MDF	24.000	48.000	0.750	-	-
12	Shelf w/ Brackets	-	-	-	-	-	-	-
2	Slotwall 12'' Lg Lg=12in	-	steel	-	-	-	-	-
1	Shelf	-	MDF	12.000	24.000	0.750	-	-
12	Screw, PBD, Bugle Head Phillips	FFI 032-	Steel	1.625	0.363	0.363	-	-
16	Screw, PBD, Bugle Head Phillips	FFI 032-	Steel	2.000	0.363	0.363	-	-
24	Rafix Fitting	-	-	-	-	-	-	-
1	Screw	FFI 025-0012	Steel	-	-	-	-	-
1	Housing	FFI 025-0020	Nylon	-	-	-	-	-
4	Kick	-	MDF	36.188	4.500	0.750	-	-
4	Caster, Swivel	045-0015	steel	-	-	-	-	-
4	Caster Spacer	-	Particleboard	5.000	5.000	1.500	-	-
1	Bottom	-	MDF	37.063	37.063	0.750	-	-

**franklin fixtures**  
**Franklin Fixtures, Inc.**  
 20 Patterson Brook Road  
 West Wareham, MA 02576  
 (508) 291-1475 Voice  
 (508) 291-3647 Fax  
 info@franklinfixtures.com  
 www.franklinfixtures.com

PROPRIETARY & CONFIDENTIAL. ©2009 Franklin Fixtures Inc. All Rights Reserved. The information contained in this drawing is the sole property of Franklin Fixtures, Inc. Any reproduction or transmission in whole or in part without the written permission of Franklin Fixtures, Inc. is strictly prohibited.

Material TBD **Cherry Blossom**

Finish

Project College of San Mateo Project #8320

Drawn By: DNT 05/21/2010  
 Checked By:  
 Approved:  
 Released:

3rd Angle Projection

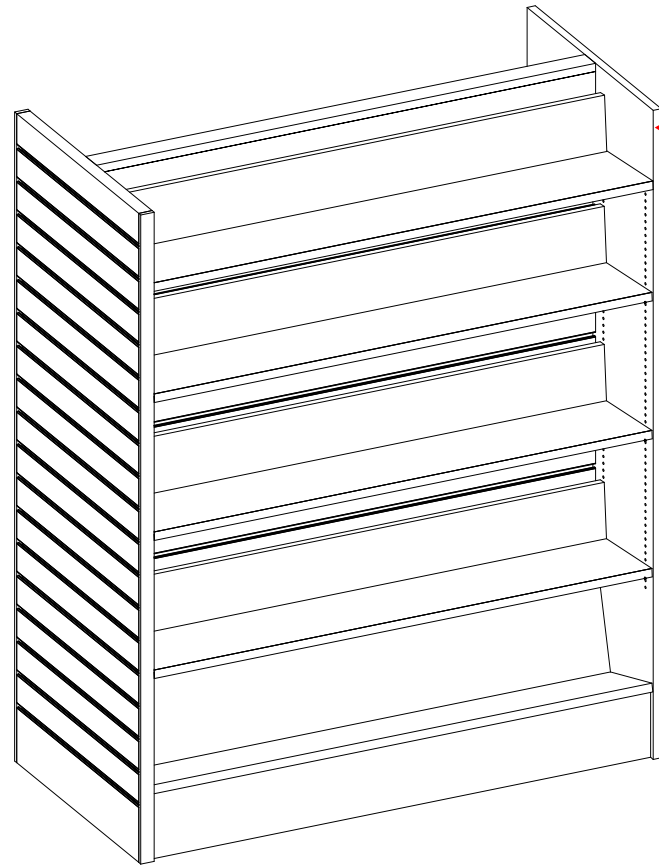
Comments

TITLE:  
**Slotwall 4-Way "I"**  
**8320-10 4WAY**

Size **B** Scale: 1:16

Line 10, 4WAY 'I'  
 S:\Projects\Customers Name, Location, Project #\San Mateo Community

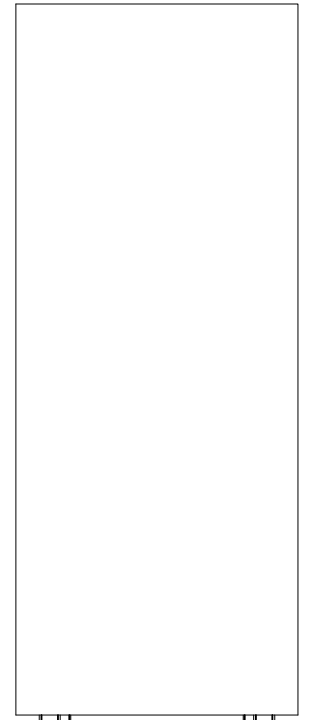
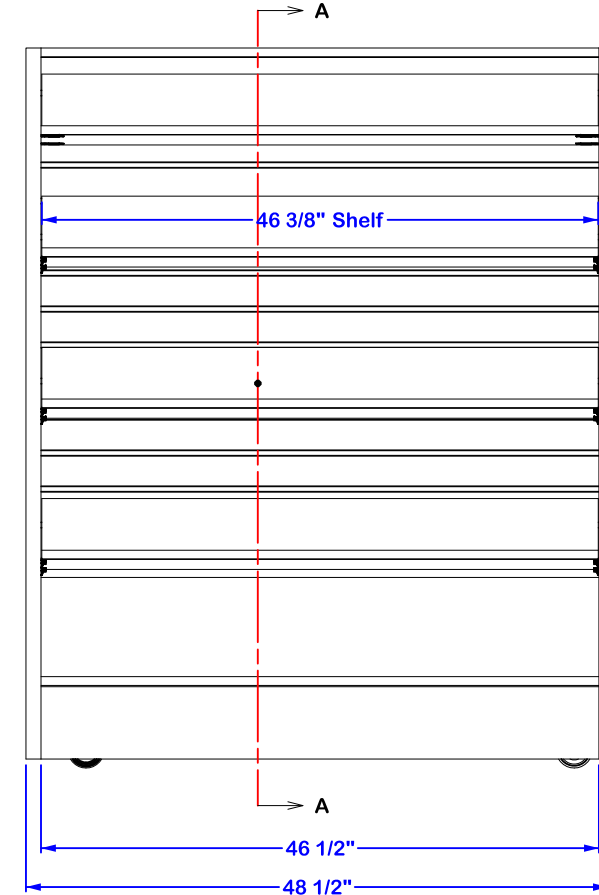
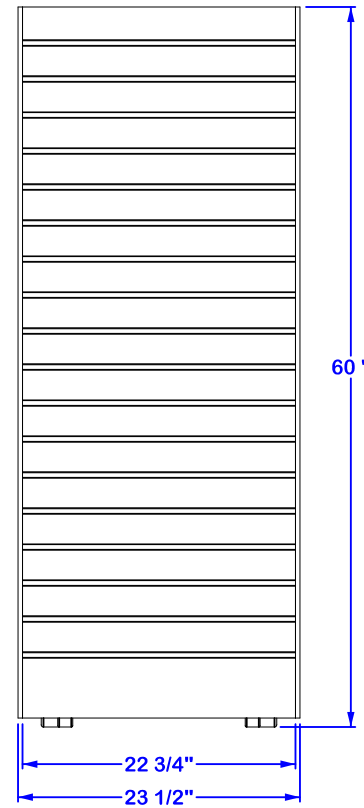
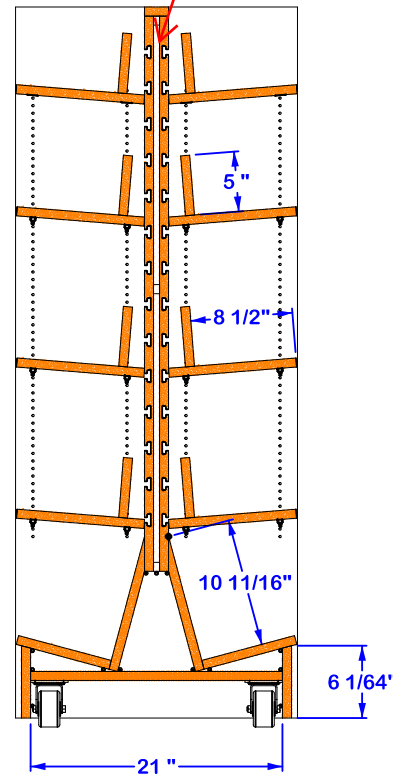
Wt: 206 lbs Sheet 1/1



Cherry Blossom End panels, Top Cap, and base.

Backing slot wall to be Hardrock Maple.

Section A - A



Quan	Description	Label	Material	Width	Length	Th
1	Topcap Cleat	-	Particleboard	0.500	45.000	0.750
1	Top Cap	SDSC TC	MDF	2.000	46.500	0.750
2	Top Back Cleat	SDSC TBC	Particleboard	0.500	46.273	0.750
2	Top Back	SDSC TB	Plywood	46.500	46.273	0.750
2	Spreader	SDSC SP	Particleboard	0.500	45.000	0.750
18	Slotwall Insert	FFI 026-0500	Aluminum	1.064	22.750	0.534
28	Slotwall Insert	FFI 026-0500	Aluminum	1.064	46.500	0.534
6	Shelfback	SDSC SB	MDF	46.375	5.000	0.750
18	Shelf Pin	-	-	-	-	-
1	Right End Panel	SDSC REP	MDF	23.500	59.250	0.750
8	Rafix Fitting	-	-	-	-	-
1	Screw	FFI 025-0012	Steel	-	-	-
1	Housing	FFI 025-0020	Nylon	-	-	-
2	Left End Panel	SDSC LEP	MDF	0.375	59.250	1.250
1	Left End Panel	SDSC LEP	MDF	22.750	59.250	1.250
2	Kick	SDSC K	MDF	46.500	6.022	0.750
6	Edgebanding	-	PVC	0.750	46.375	0.018
2	Edgebanding	-	PVC	0.750	46.500	0.018
26	Dowel, Wood	-	Maple	-	-	-
2	Caster, Swivel	045-0015	steel	-	-	-
2	Caster, Rigid, 3" Ø, HD	-	-	-	-	-
1	Caster Bottom	SDSC CSTR BT	Particleboard	21.000	46.500	0.750
2	Bottom Shelf	SDSC BS	MDF	8.000	46.500	0.750
2	Bottom Back	SDSC BB	MDF	46.500	11.445	0.750
2	AFT Shelfback	SDSC AFT SB	MDF	46.375	5.000	0.750
6	"T" Shelf	SDSC T	MDF	10.644	46.375	0.750
2	"AFT" Shelf	SDSC AFT	MDF	10.706	46.500	0.750

**franklin fixtures**  
**Franklin Fixtures, Inc.**  
 20 Patterson Brook Road  
 West Wareham, MA 02576  
 (508) 291-1475 Voice  
 (508) 291-3647 Fax  
 info@franklinfixtures.com  
 www.franklinfixtures.com

PROPRIETARY & CONFIDENTIAL. ©2009 Franklin Fixtures Inc. All Rights Reserved. The information contained in this drawing is the sole property of Franklin Fixtures, Inc. Any reproduction or transmission in whole or in part without the written permission of Franklin Fixtures, Inc. is strictly prohibited.

Material TBD **Cherry Blossom**

Finish  
 Project **College of San Mateo Project #8320**

Drawn By: DNT 05/21/2010  
 Checked By:  
 Approved:  
 Released:

3rd Angle Projection

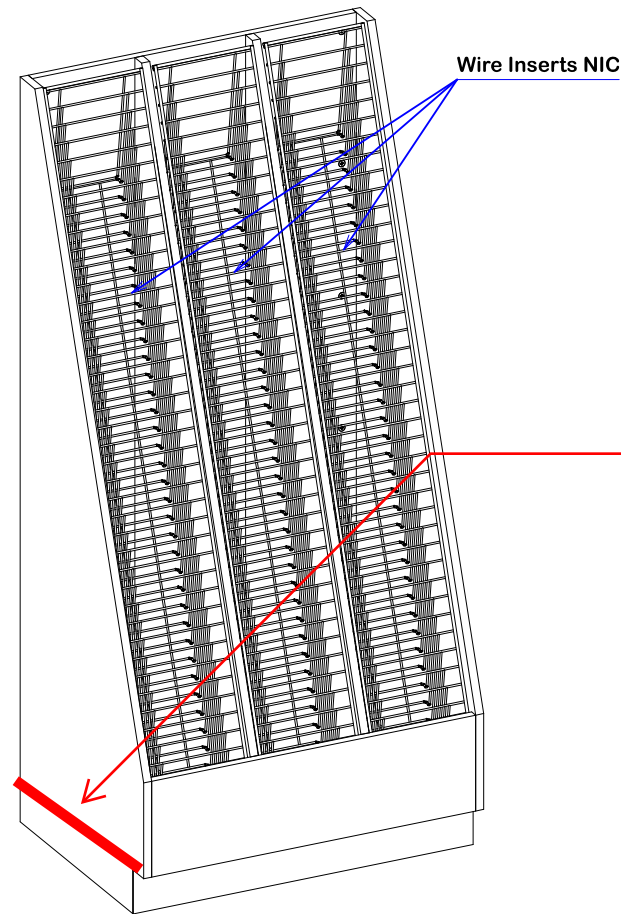
Comments

TITLE:  
**Straight Double-sided Case "J"**  
**8320-11 SDSC**

Size **B** Scale: 1:16

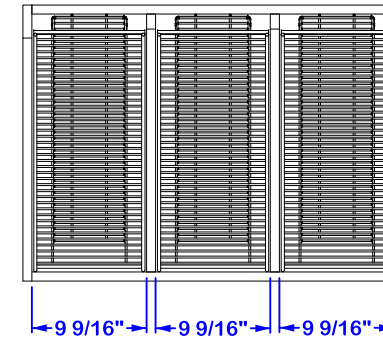
Line 11, SDSC 'J'  
 S:\Projects\Customers Name, Location, Project #\San Mateo Community  
 Wt: 326 lbs Sheet 1/1



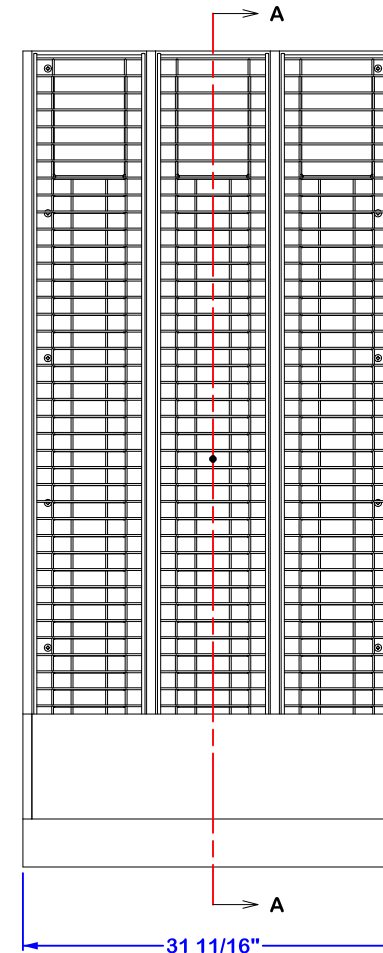
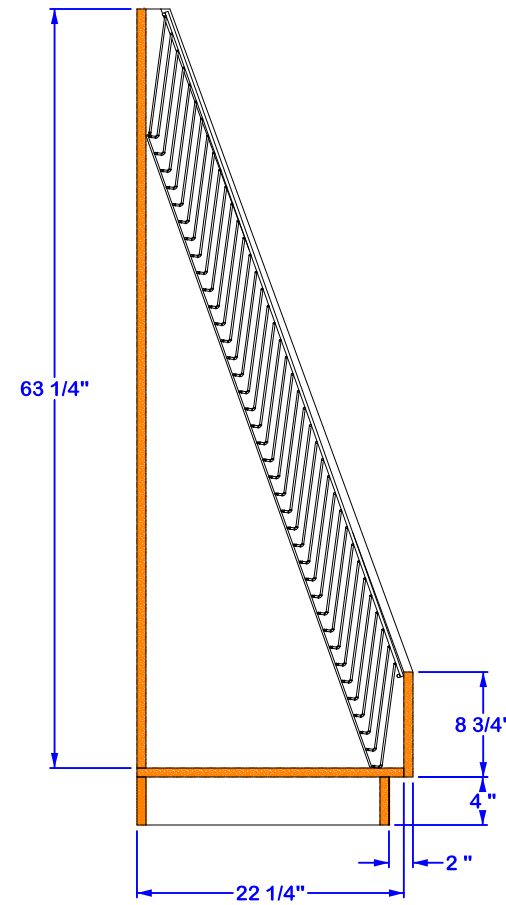


Reveal both sides at toe kick.

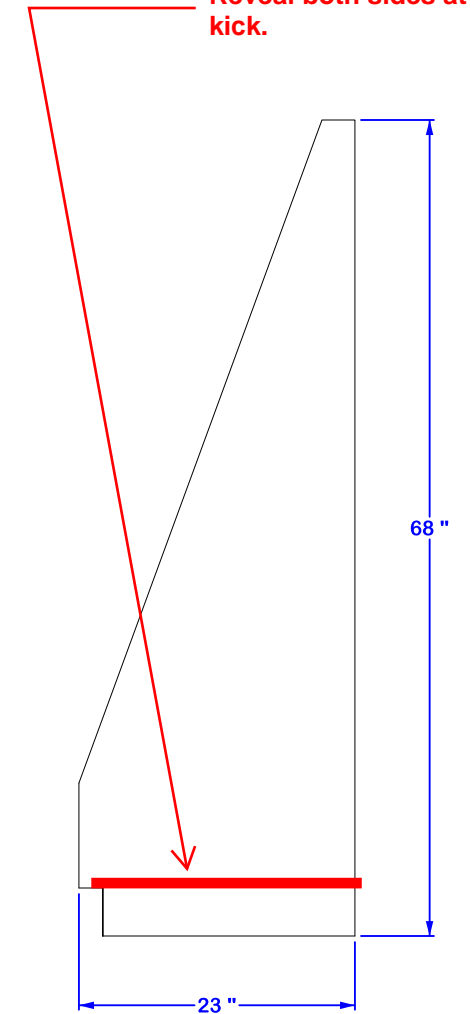
Wire Inserts NIC



Section A - A



Reveal both sides at toe kick.



Quan	Description	Label	Material	Width	Length	Th	CNC	Index
3	Wire Insert	-	Steel	-	-	-	-	-
18	Screw, PBD, Bugle Head Phillips	FFI 032-0224	Steel	1.625	0.363	0.363	-	-
1	Post-laminate, Kick	8350-60 CHART K PLAM	Walnut	31.688	4.000	0.031	-	-
2	Partition	8350-60 CHART PART	MDF	21.500	63.250	0.750	-	-
20	Minifix, Wood Thread	-	-	-	-	-	-	-
1	Minifix Pin	FFI 025-0052	steel	0.276	1.685	0.276	-	-
1	Minifix Cam	FFI 025-0035	zinc	0.591	0.591	0.551	-	-
1	Kick, Front	8350-60 CHART FK	MDF	30.188	4.000	0.750	-	-
1	Kick, Back	8350-60 CHART BK	Particleboard	4.000	30.188	0.750	-	-
1	Front	8350-60 CHART FT	MDF	30.188	8.750	0.750	-	-
1	End Panel, Right	8350-60 CHART REP	MDF	23.000	68.000	0.750	-	-
1	End Panel, Left	8350-60 CHART LEP	MDF	23.000	68.000	0.750	-	-
1	Bottom	8350-60 CHART BT	MDF	22.250	30.188	0.750	-	-
1	Back	8350-60 CHART B	MDF	30.188	63.250	0.750	-	-

**franklin fixtures**  
**Franklin Fixtures, Inc.**  
 20 Patterson Brook Road  
 West Wareham, MA 02576  
 (508) 291-1475 Voice  
 (508) 291-3647 Fax  
 info@franklinfixtures.com  
 www.franklinfixtures.com

PROPRIETARY & CONFIDENTIAL. ©2009 Franklin Fixtures Inc. All Rights Reserved. The information contained in this drawing is the sole property of Franklin Fixtures, Inc. Any reproduction or transmission in whole or in part without the written permission of Franklin Fixtures, Inc. is strictly prohibited.

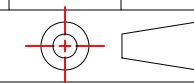
Material **TBD Cherry**

Project

College of San Mateo  
 Project #8320

Drawn By: DNT 05/18/2010  
 Checked By:  
 Approved:  
 Released:

3rd Angle Projection



Comments

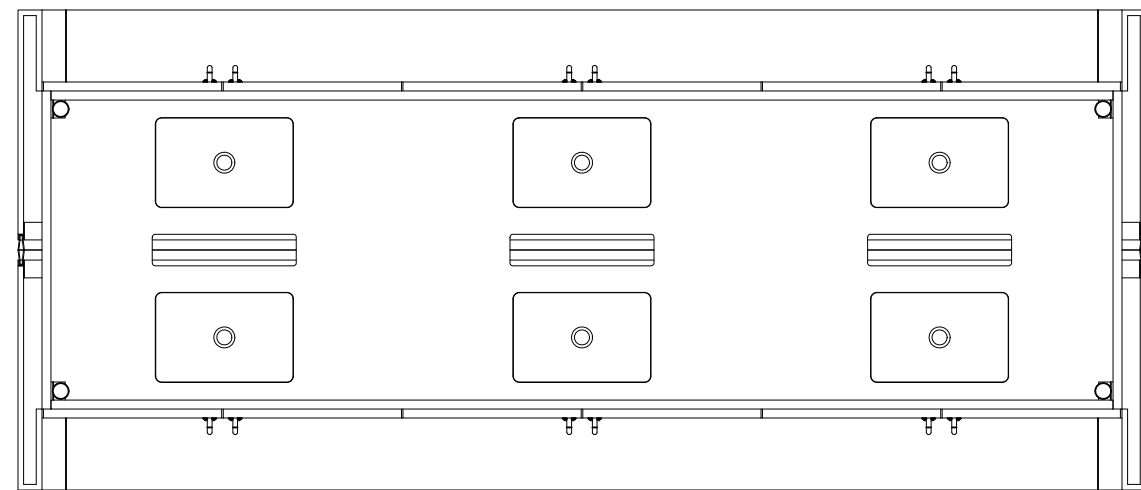
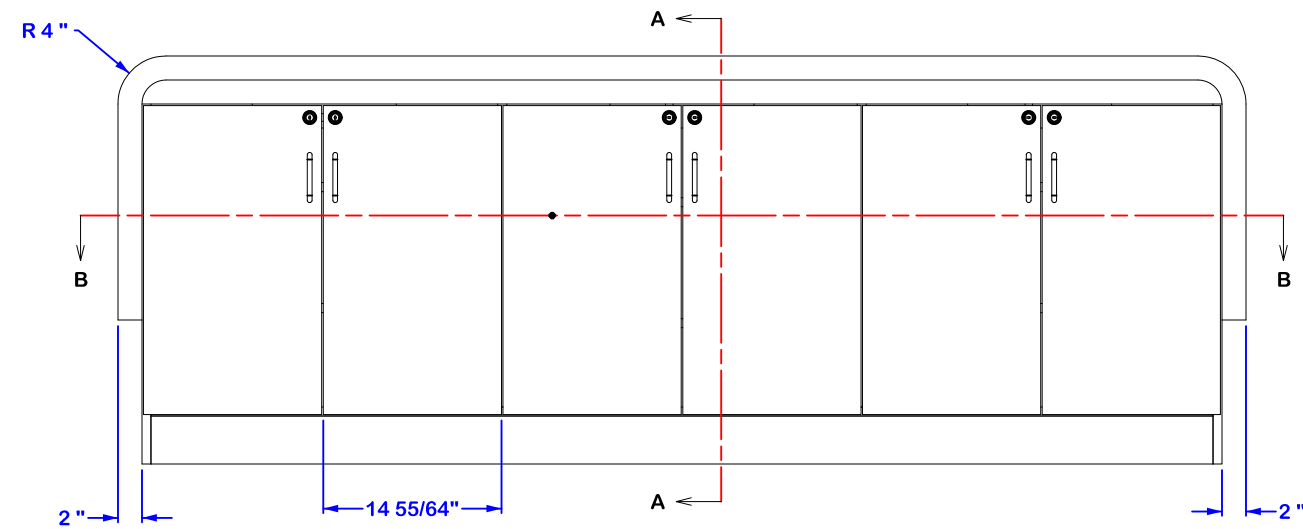
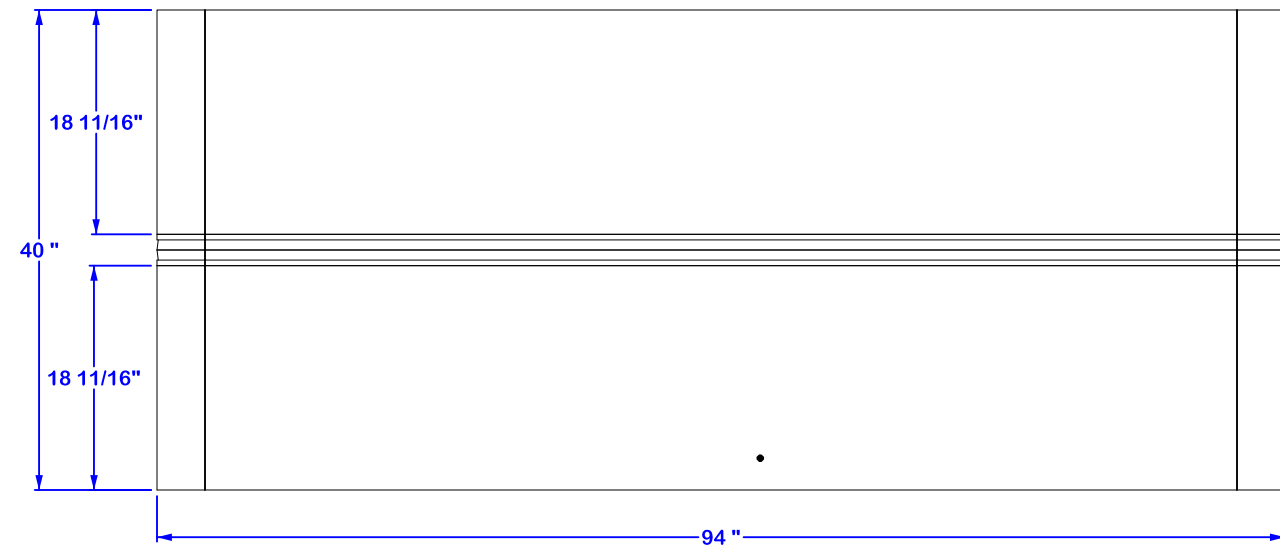
TITLE:  
**Bar Charts Unit "BC"**  
**8320-12 CHART**

Size **B** Scale: 1:16

Line 12, CHART 'BC'

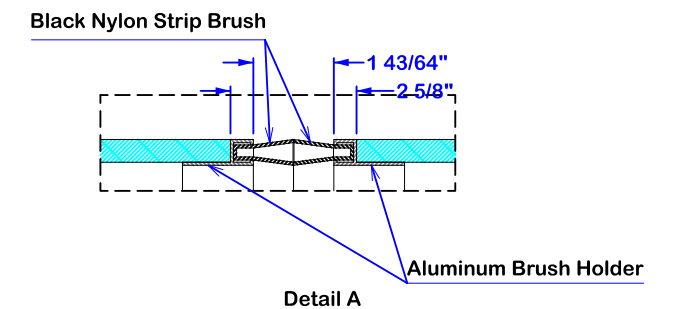
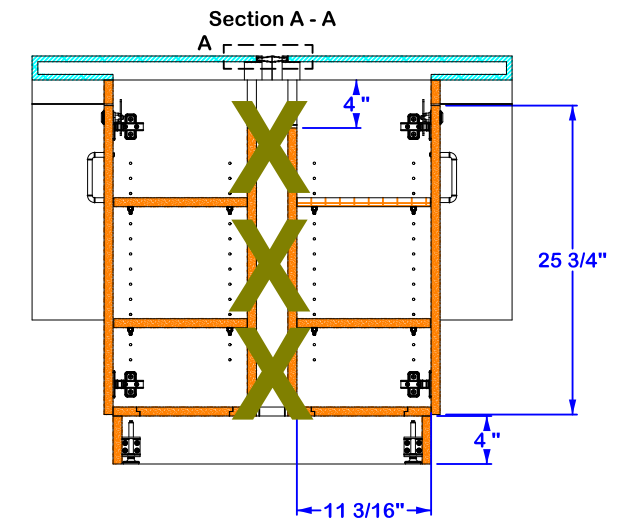
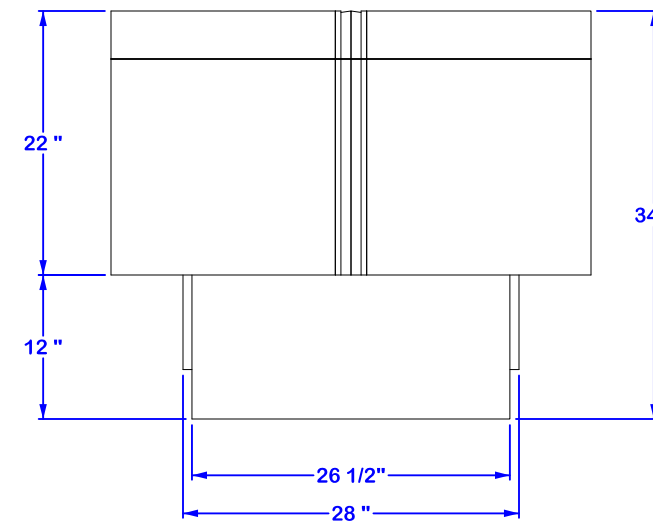
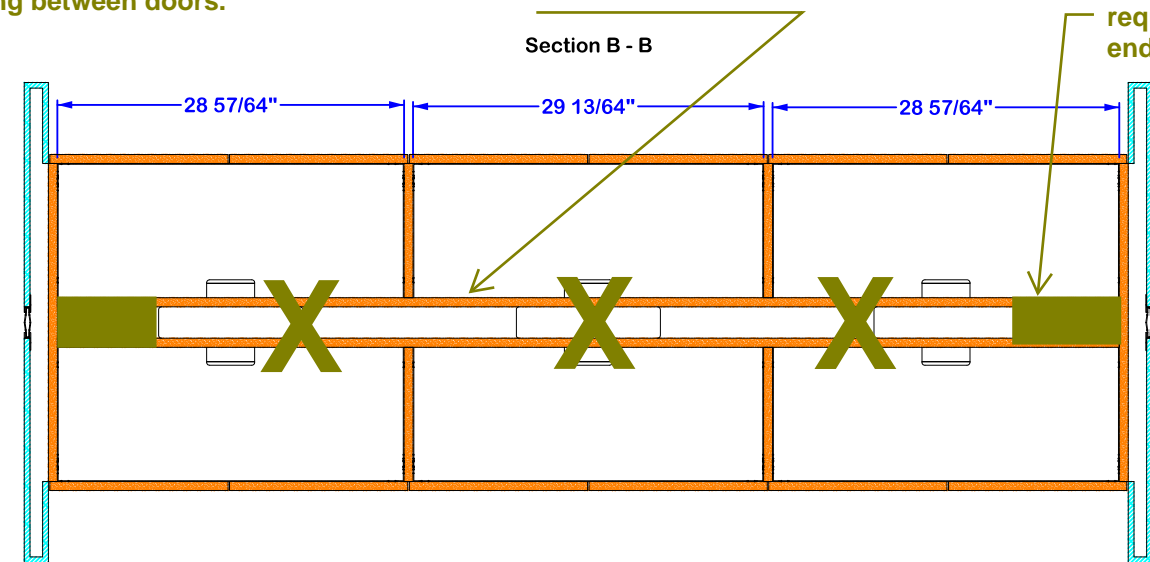
S:\Projects\Customers Name, Location, Project #San Mateo Community

Wt: 157 lbs Sheet 1/1



Remove center chase to allow for continuous shelving between doors.

Provide chase as required for support at ends.



**franklin fixtures**  
**Franklin Fixtures, Inc.**  
 20 Patterson Brook Road  
 West Wareham, MA 02576  
 (508) 291-1475 Voice  
 (508) 291-3647 Fax  
 info@franklinfixtures.com  
 www.franklinfixtures.com

PROPRIETARY & CONFIDENTIAL. ©2009 Franklin Fixtures Inc. All Rights Reserved. The information contained in this drawing is the sole property of Franklin Fixtures, Inc. Any reproduction or transmission in whole or in part without the written permission of Franklin Fixtures, Inc. is strictly prohibited.

Material: **Almond Melamine Interior**  
**TBD Maple Exterior UON**

Finish:

Project: **College of San Mateo**  
**Project #8320**

Drawn By: DNT 05/19/2010  
 Checked By:  
 Approved:  
 Released:

3rd Angle Projection

Comments

TITLE:  
**Genius Counter "M"**  
**8320-21 CTR**

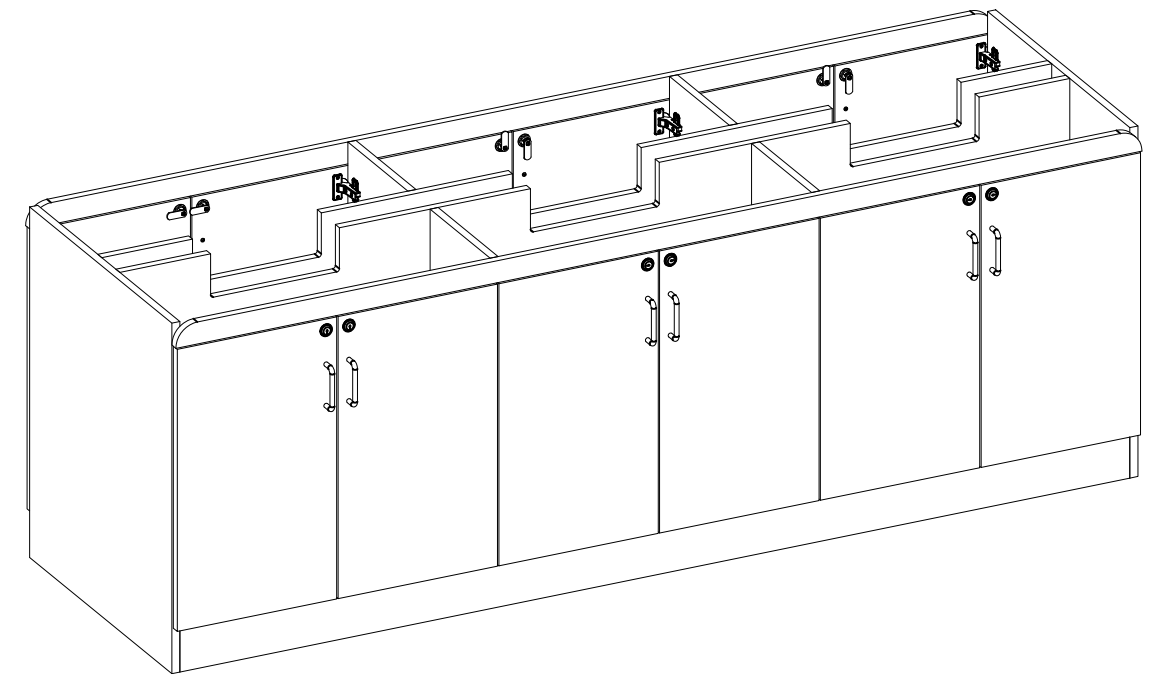
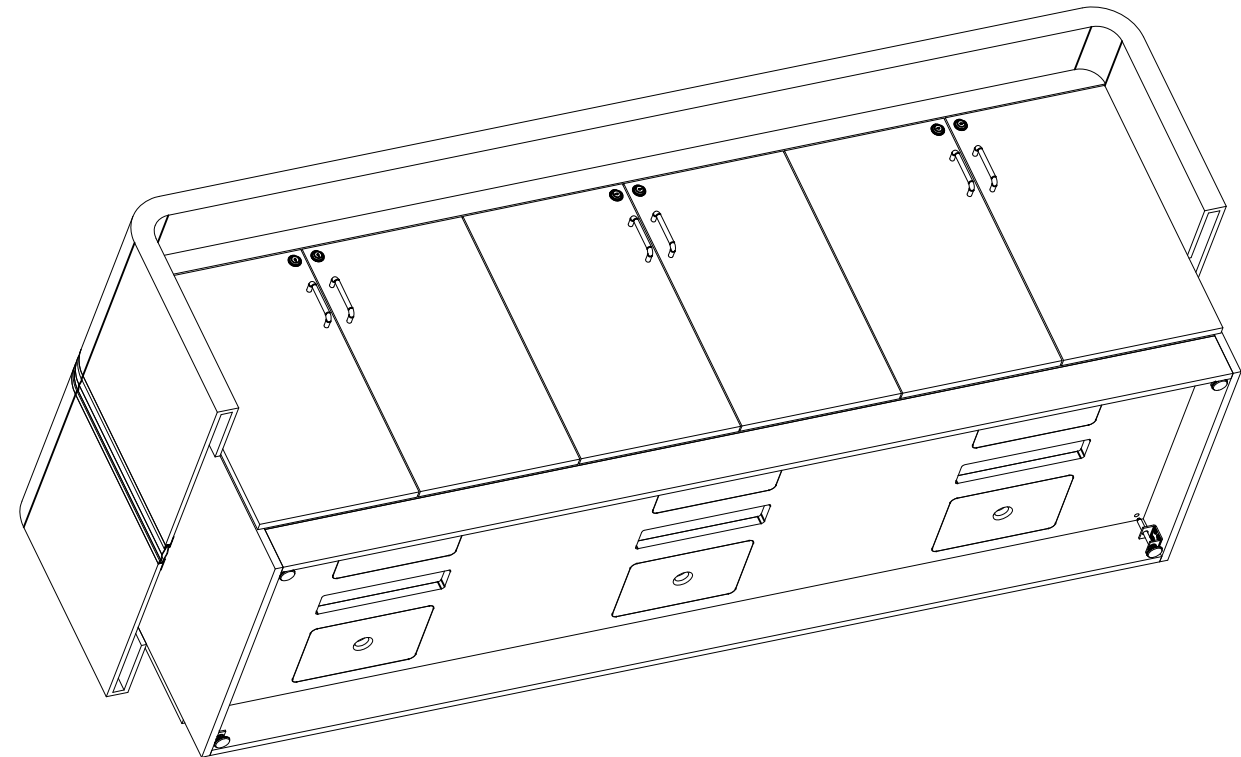
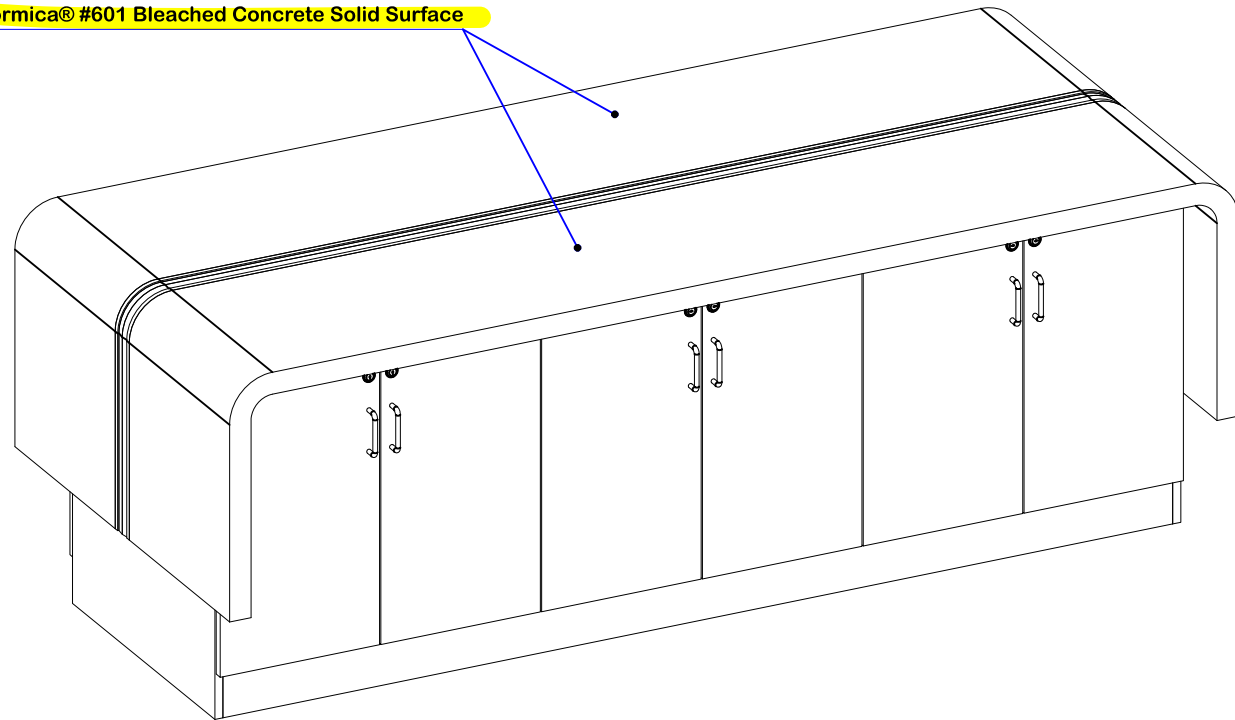
Size **B** Scale: 1:16

Line 21, CTR 'M'

S:\Projects\Customers Name, Location, Project #\San Mateo Community

Wt: 526 lbs Sheet 1/2

Formica® #601 Bleached Concrete Solid Surface

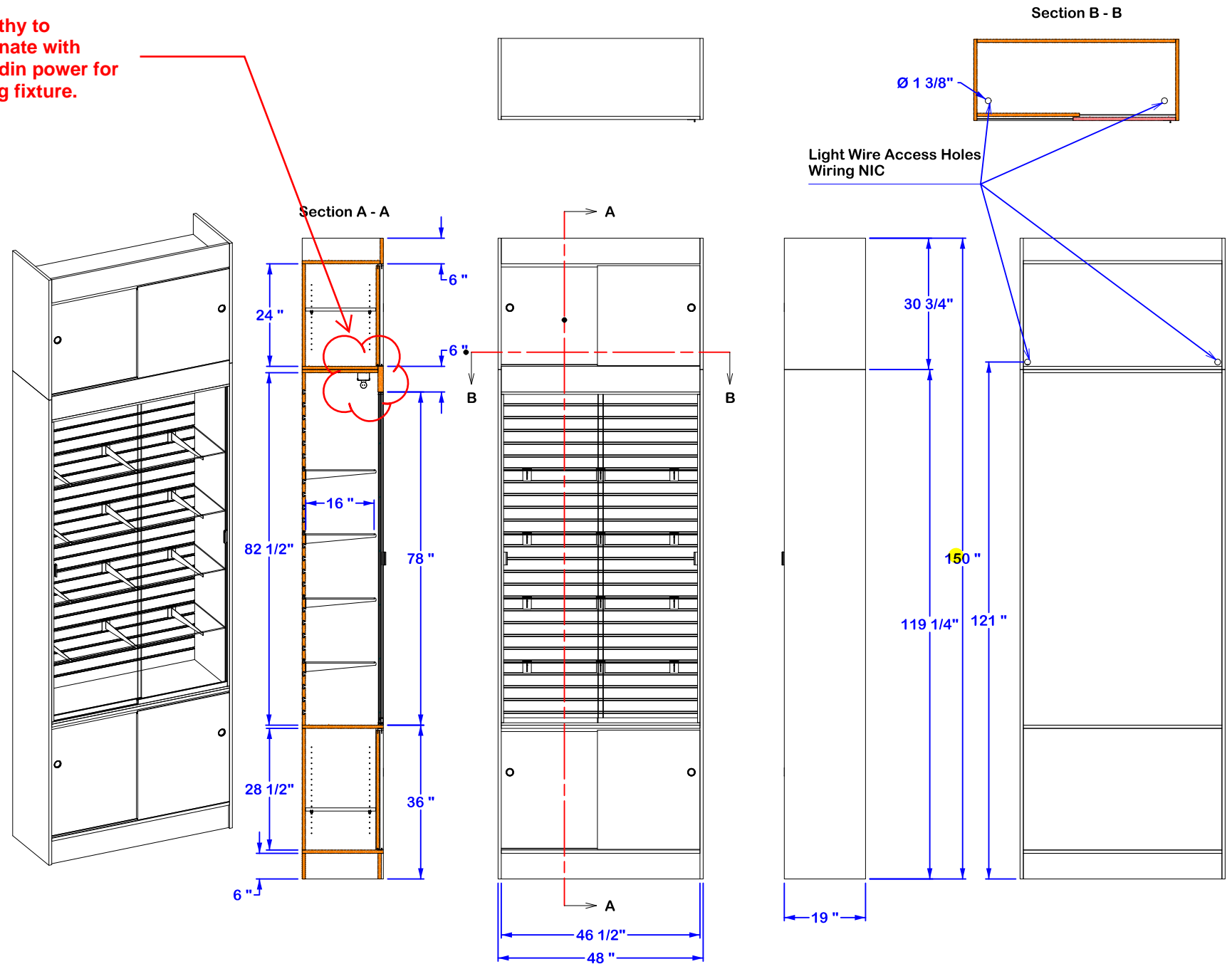


12	Wire Pull	-	steel	-	-	-	-	-
1	Pull	-	steel	-	-	-	-	-
2	8 x 1½" Pan Hd PH	-	steel	-	-	-	-	-
2	Valance	8320-21 CTR VAL	MDF	2.000	90.000	0.750	-	-
4	Partition	8320-21 CTR PART	MDF	11.188	27.250	0.750	-	-
4	Leveller	FFI 028-0050	-	-	-	-	-	-
2	Kick	8320-21 CTR K	MDF	88.500	4.000	0.750	-	-
2	Hinged Door, Right-left	8320-21 CTR RLHDOOR	MDF	14.854	25.750	0.750	-	-
2	Hinged Door, Right	8320-21 CTR RHDOOR	MDF	14.854	25.750	0.750	-	-
2	Hinged Door, Left-right	8320-21 CTR LRHDOOR	MDF	14.854	25.750	0.750	-	-
2	Hinged Door, Left	8320-21 CTR LHDOOR	MDF	14.854	25.750	0.750	-	-
2	Hinged Door, Center-right	8320-21 CTR CRHDOOR	MDF	14.854	25.750	0.750	-	-
2	Hinged Door, Center-left	8320-21 CTR CLHDOOR	MDF	14.854	25.750	0.750	-	-
24	Hinge	-	steel	-	-	-	-	-
1	Mounting Plate	-	steel	-	-	-	-	-
1	Hinge	-	steel	-	-	-	-	-
8	Flat Shelf	-	-	-	-	-	-	-
4	Shelf Pin	-	-	-	-	-	-	-
1	Flat Shelf	-	MDF	11.125	28.771	0.750	-	-
4	Flat Shelf	-	-	-	-	-	-	-
4	Shelf Pin	-	-	-	-	-	-	-
1	Flat Shelf	-	MDF	11.125	29.083	0.750	-	-
1	End Panel, Right	8320-21 CTR REP	MDF	26.500	32.000	0.750	-	-
1	End Panel, Left	8320-21 CTR LEP	MDF	26.500	32.000	0.750	-	-
2	Countertop	8320-21 CTR TOP	Bleached Concrete	22.000	94.000	18.688	-	-
2	Brush Holder	8320-21 CTR BRUSH HOLDER	Aluminum	22.000	94.000	1.474	-	-
2	Brush	8320-21 CTR BRUSH	Nylon	22.000	94.000	1.258	-	-
1	Bottom	8320-21 CTR BT	MDF	26.500	88.500	0.750	-	-
2	Back	8320-21 CTR B	MDF	27.250	88.500	0.750	-	-
6	Access Panel	-	MDF	8.000	12.000	0.750	P00425.CNO	-
12	028-0017	-	steel	-	-	-	-	-
Quan	Description	Label	Material	Width	Length	Th	CNC	Index

<b>franklin fixtures</b> <b>Franklin Fixtures, Inc.</b> 20 Patterson Brook Road West Wareham, MA 02576 (508) 291-1475 Voice (508) 291-3647 Fax info@franklinfixtures.com www.franklinfixtures.com	PROPRIETARY & CONFIDENTIAL. ©2009 Franklin Fixtures Inc. All Rights Reserved. The information contained in this drawing is the sole property of Franklin Fixtures, Inc. Any reproduction or transmission in whole or in part without the written permission of Franklin Fixtures, Inc. is strictly prohibited.			Drawn By: DNT 05/19/2010	<b>TITLE:</b> <b>Genius Counter "M"</b> <b>8320-21 CTR</b>
	Material <b>Almond Melamine Interior</b> <b>TBD Maple Exterior UON</b>	Checked By:	Approved:	Released:	Size <b>B</b> Scale: 1:16
	Finish 3rd Angle Projection			Comments <b>College of San Mateo</b> <b>Project #8320</b>	Line 21, CTR 'M' S:\Projects\Customers Name, Location, Project #\San Mateo Community
	Project	Wt: 526 lbs      Sheet 2/2			

1	Valance	8320-23 OS VAL	Melamine	6.000	46.500	0.750	-	-
1	Valance	8320-22 SSSC VAL	Melamine	6.000	46.500	1.250	-	-
1	Top	8320-23 OS TP	Melamine	18.250	46.500	0.750	-	-
1	Top	8320-22 SSSC TP	Melamine	17.750	46.500	0.750	-	-
26	Slotwall Insert	FFI 026-0500	Aluminum	1.064	46.500	0.534	-	-
12	Slotwall 16" Lg	-	steel	-	-	-	-	-
1	Sliding Door	-	-	-	-	-	-	-
4	Wheel	FFI 023-0200	steel	-	-	-	-	-
1	Track, Upper	FFI 023-0214	Aluminum	1.000	46.500	0.750	-	-
1	Track, Lower	FFI 023-0213	Aluminum	1.063	46.500	0.438	-	-
2	Pull, Flush	FFI 023-0056	steel	-	-	-	-	-
1	Door, Right	-	MDF	24.000	23.375	0.750	-	-
1	Door, Left	-	MDF	24.000	23.375	0.750	-	-
1	Sliding Door	-	-	-	-	-	-	-
4	Wheel	FFI 023-0200	steel	-	-	-	-	-
1	Track, Upper	FFI 023-0214	Aluminum	1.000	46.500	0.750	-	-
1	Track, Lower	FFI 023-0213	Aluminum	1.063	46.500	0.438	-	-
2	Pull, Flush	FFI 023-0056	steel	-	-	-	-	-
1	Door, Right	-	MDF	24.000	27.875	0.750	-	-
1	Door, Left	-	MDF	24.000	27.875	0.750	-	-
1	Partition	8320-22 SSSC PART	Melamine	16.500	28.500	0.750	-	-
1	Kick, Front	8320-22 SSSC FK	Melamine	46.500	6.000	0.750	-	-
1	Kick, Back	8320-22 SSSC BK	Particleboard	6.000	46.500	0.750	-	-
1	Glass Sliding Door	-	-	-	-	-	-	-
2	Pull	640	Aluminum	1.393	3.000	0.675	-	-
2	Glass	-	Glass	23.438	76.188	0.250	-	-
4	Glass	-	Glass	16.000	46.375	0.250	-	-
1	Fluorescent Fixture	FFI 041-0000	-	-	-	-	-	-
2	Flat Shelf	-	-	-	-	-	-	-
1	Flat Shelf	-	-	-	-	-	-	-
1	Fixed Shelf	8320-2 SSSC FS	Melamine	19.000	46.500	0.750	-	-
1	End Panel, Right	8320-23 OS REP	Melamine	19.000	30.750	0.750	-	-
1	End Panel, Left	8320-23 OS LEP	Melamine	19.000	30.750	0.750	-	-
1	End Panel, Left	8320-22 SSSC LEP	Melamine	19.000	119.250	0.750	-	-
1	Bottom Shelf	8320-22 SSSC BS	Melamine	19.000	46.500	0.750	-	-
1	Bottom	8320-23 OS BT	Melamine	17.750	46.500	0.750	-	-
1	Back, Top	8320-22 SSSC TB	Melamine	46.500	82.500	0.750	-	-
1	Back, Bottom	8320-22 SSSC BB	Melamine	28.500	46.500	0.750	-	-
1	Back	8320-23 OS B	Melamine	24.000	46.500	0.750	-	-
Quan	Description	Label	Material	Width	Length	Th	CNC	Index

McCarthy to coordinate with Rosendin power for lighting fixture.



**franklin fixtures**  
**Franklin Fixtures, Inc.**  
 20 Patterson Brook Road  
 West Wareham, MA 02576  
 (508) 291-1475 Voice  
 (508) 291-3647 Fax  
 info@franklinfixtures.com  
 www.franklinfixtures.com

PROPRIETARY & CONFIDENTIAL. ©2009 Franklin Fixtures Inc. All Rights Reserved. The information contained in this drawing is the sole property of Franklin Fixtures, Inc. Any reproduction or transmission in whole or in part without the written permission of Franklin Fixtures, Inc. is strictly prohibited.

Material TBD Cherry UON

Finish  
 Project College of San Mateo  
 Project #8320

Drawn By: DNT 05/18/2010  
 Checked By:  
 Approved:  
 Released:

3rd Angle Projection

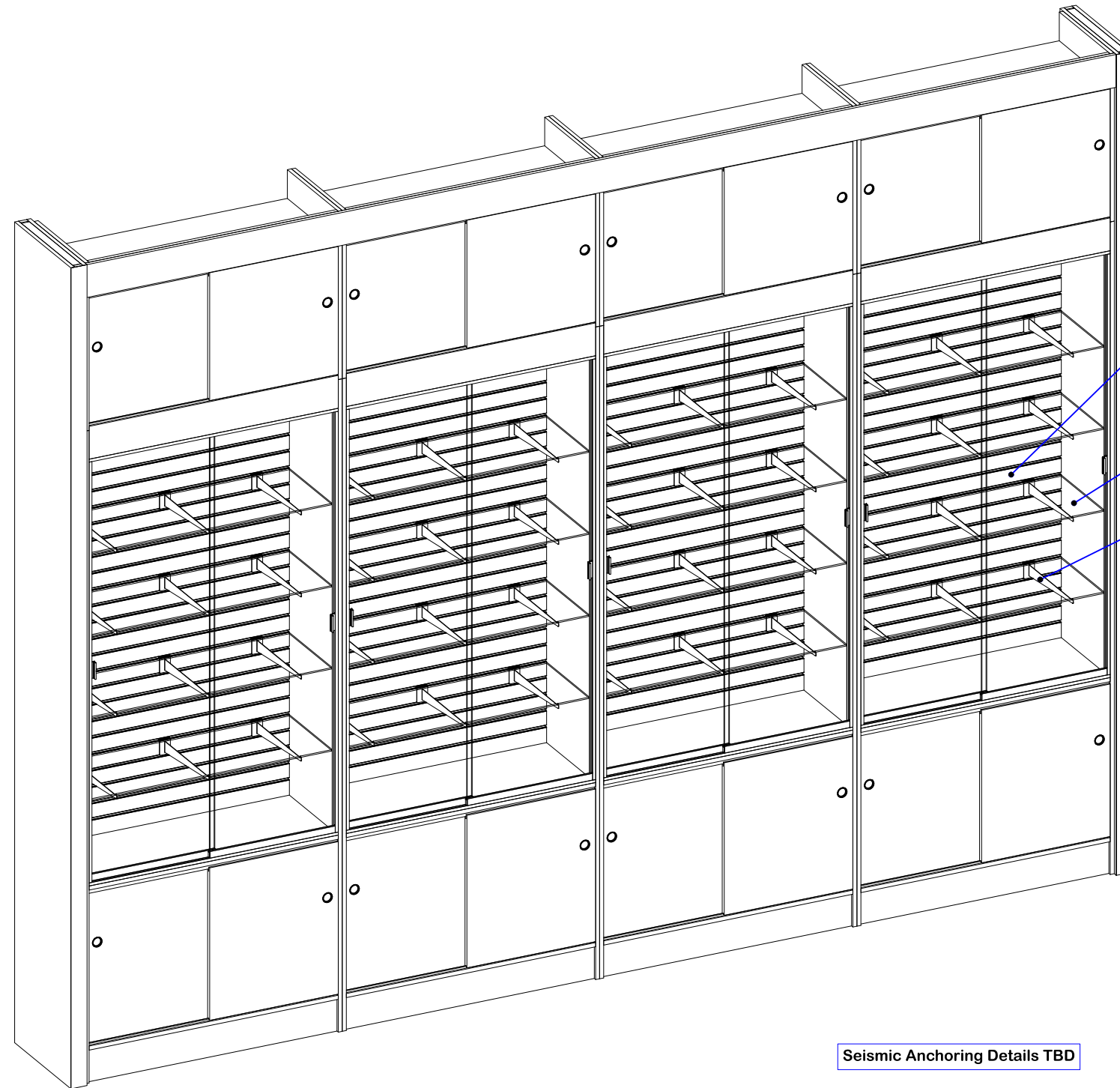
Comments

TITLE:  
**Technology Wall Case "D"**  
**8320-22 SSSC**  
**8320-23 OS**

Size B Scale: 1:32

Line 22 SSSC & Line 23 OS, 'D'

Wt: 2702 lbs Sheet 1/2



All Slotwall Maple w/ Natural Aluminum Inserts

Tempered Glass Shelves All edges to be polished.

Chrome Brackets

Seismic Anchoring Details TBD

**franklin fixtures**  
**Franklin Fixtures, Inc.**  
 20 Patterson Brook Road  
 West Wareham, MA 02576  
 (508) 291-1475 Voice  
 (508) 291-3647 Fax  
 info@franklinfixtures.com  
 www.franklinfixtures.com

PROPRIETARY & CONFIDENTIAL. ©2009 Franklin Fixtures Inc. All Rights Reserved. The information contained in this drawing is the sole property of Franklin Fixtures, Inc. Any reproduction or transmission in whole or in part without the written permission of Franklin Fixtures, Inc. is strictly prohibited.

Material

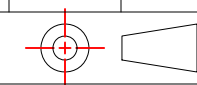
Finish

Project

College of San Mateo  
 Project #8320

Drawn By: DNT 05/18/2010  
 Checked By:  
 Approved:  
 Released:

3rd Angle Projection



Comments

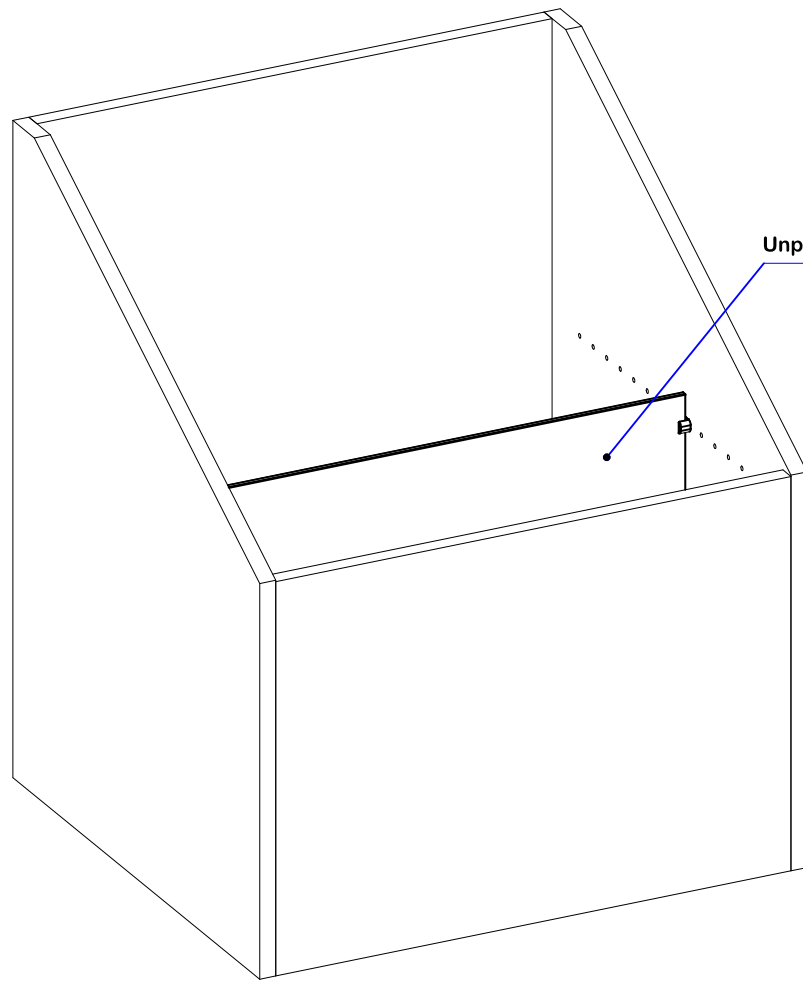
TITLE:  
**Technology Wall Case "D"**  
 8320-22 SSSC  
 8320-23 OS

Size B Scale: 1:24

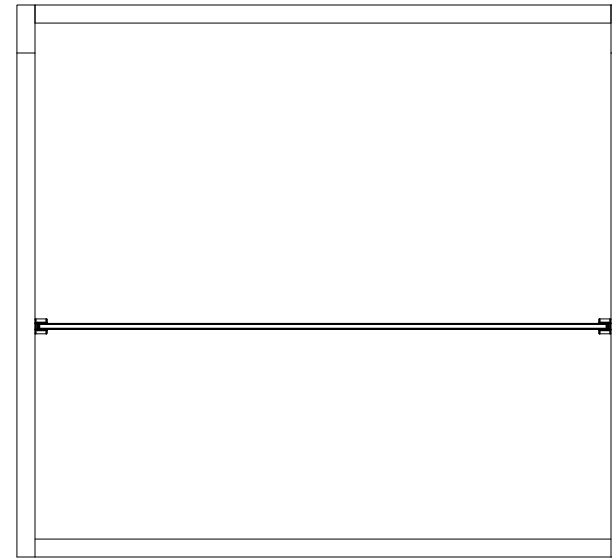
Line 22 SSSC & Line 23 OS, 'D'

Wt: 2702 lbs Sheet 2/2

S:\Projects\Customers Name, Location, Project #\San Mateo Community



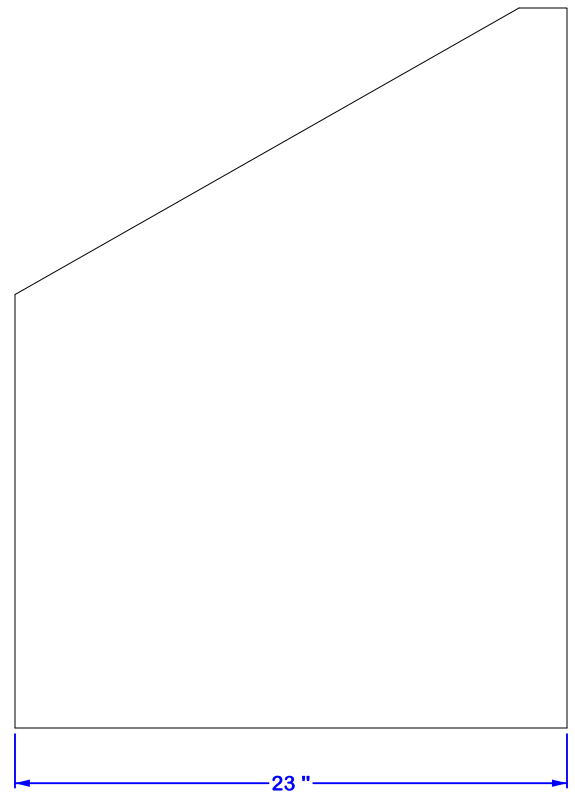
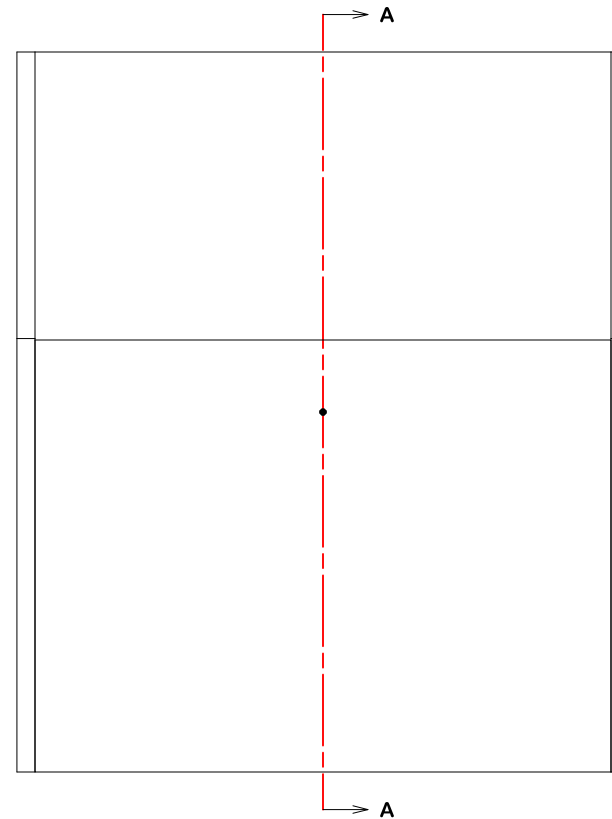
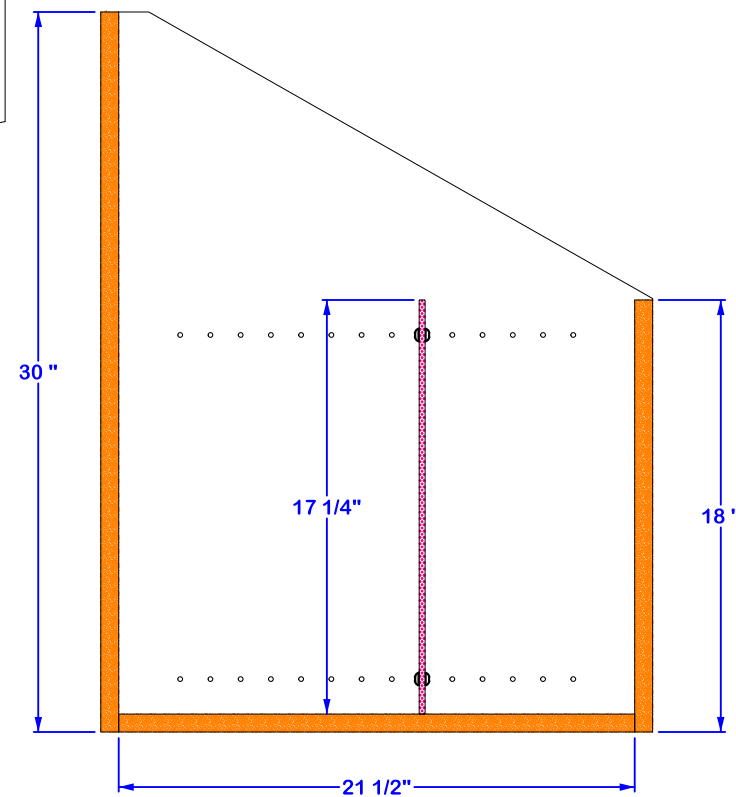
Unpainted Hardboard Divider



Location not indicated on plans, this should not be in view of public space.  
If backing is required in wall to hang, advise location for coordination with North Bay.

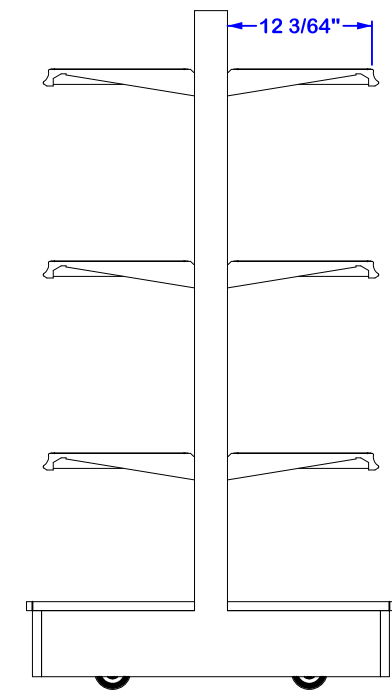
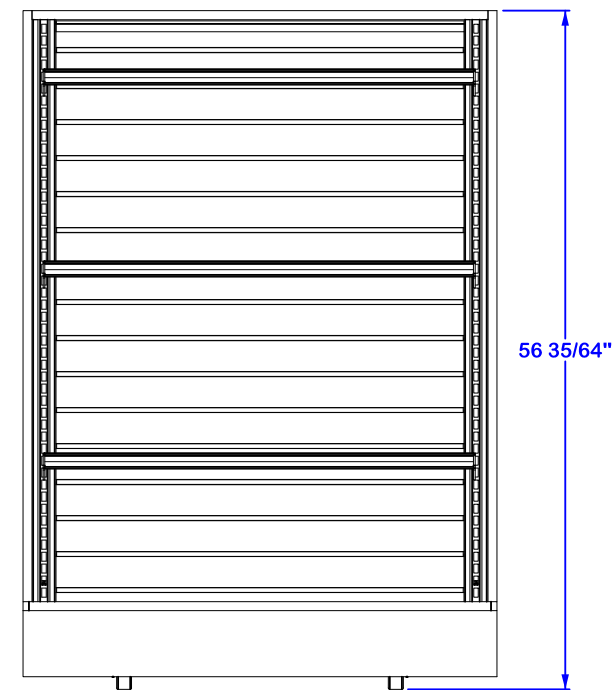
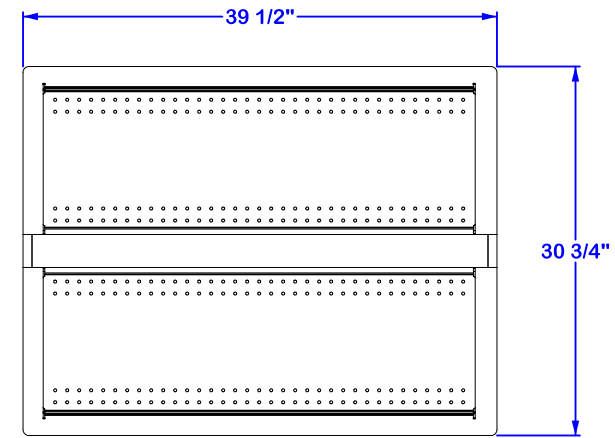
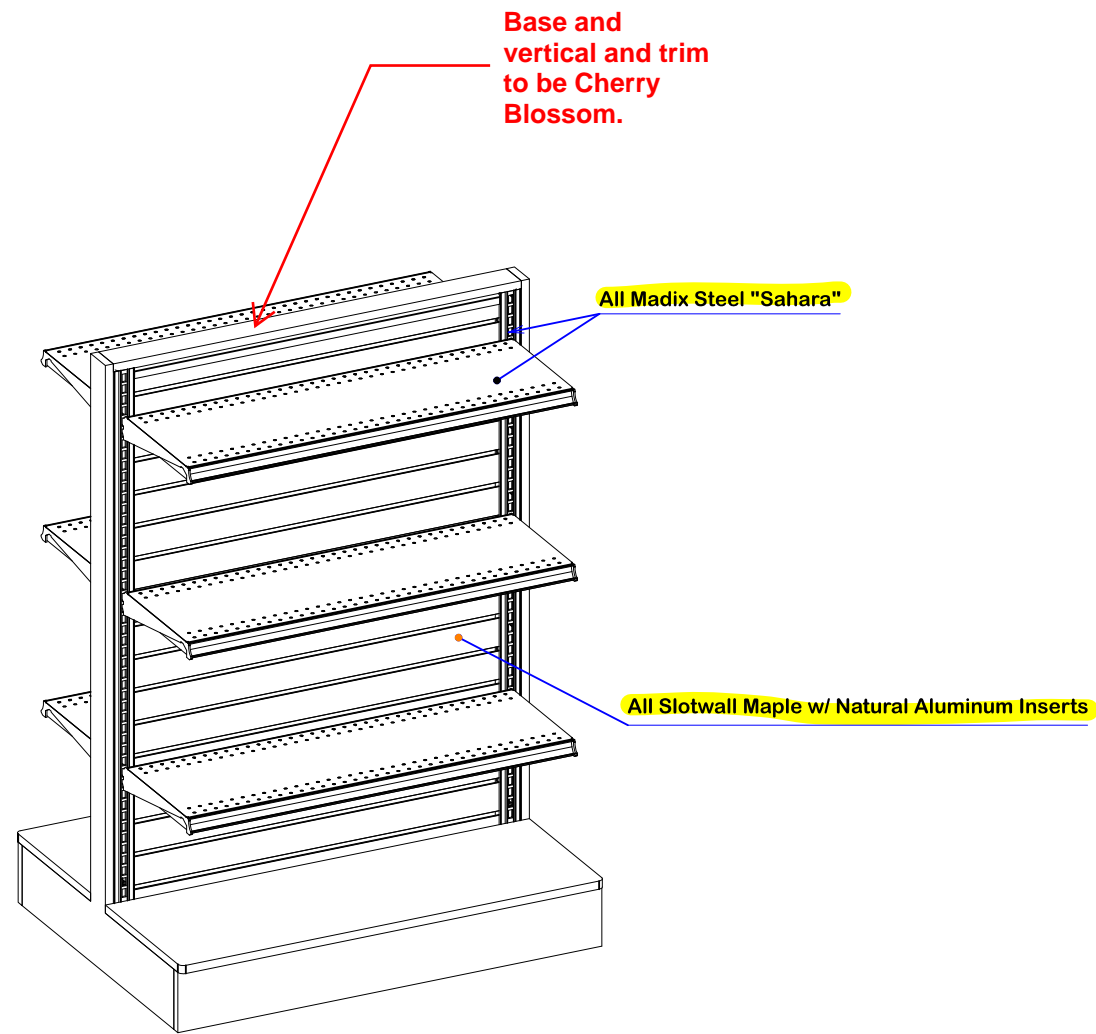
Item sits on shelf and should look like part of the casework. Finish to be Blossom Cherry.

Section A - A



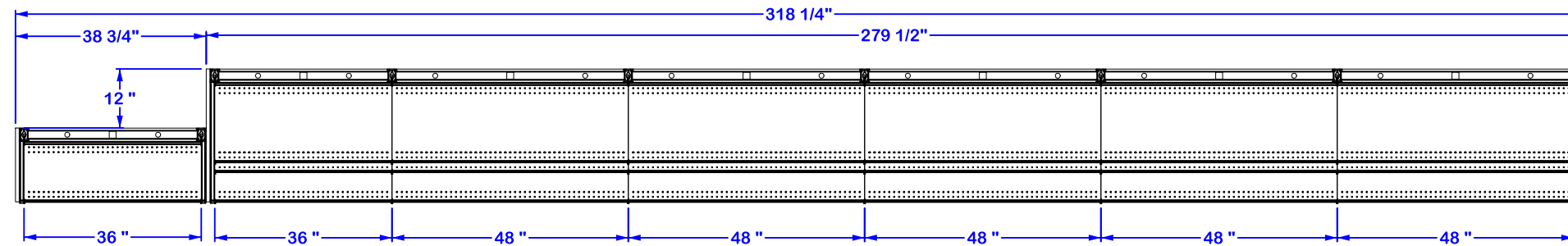
Quan	Description	Label	Material	Width	Length	Th	CNC	Index
1	Front	8320-94 BIN FT	MDF	24.000	18.000	0.750	-	-
1	End Panel, Right	8320-94 BIN REP	MDF	23.000	30.000	0.750	-	-
1	End Panel, Left	8320-94 BIN LEP	MDF	23.000	30.000	0.750	-	-
1	Divider	8320-94 BIN DIV	Hardboard	17.250	23.696	0.250	-	-
1	Bottom	8320-94 BIN BT	MDF	21.500	24.000	0.750	-	-
1	Back	8320-94 BIN B	MDF	24.000	30.000	0.750	-	-
4	Acrylic Pin	021-0018	Acrylic	-	-	-	-	-

<b>franklin fixtures</b> <b>Franklin Fixtures, Inc.</b> 20 Patterson Brook Road West Wareham, MA 02576 (508) 291-1475 Voice (508) 291-3647 Fax info@franklinfixtures.com www.franklinfixtures.com	PROPRIETARY & CONFIDENTIAL. ©2009 Franklin Fixtures Inc. All Rights Reserved. The information contained in this drawing is the sole property of Franklin Fixtures, Inc. Any reproduction or transmission in whole or in part without the written permission of Franklin Fixtures, Inc. is strictly prohibited.			Drawn By: DNT 05/20/2010	<b>TITLE:</b> <b>Clipboard Bin</b> <b>8320-94 BIN</b>
	Material: Almond Melamine UON	Checked By:	Approved:		
	Finish:	Released:	3rd Angle Projection		
	Project: College of San Mateo Project #8320	Comments:			
		Size <b>B</b>	Scale: 1:8	Line 94, BIN S:\Projects\Customers Name, Location, Project #\San Mateo Community	
		Wt: 56 lbs	Sheet 1/1		

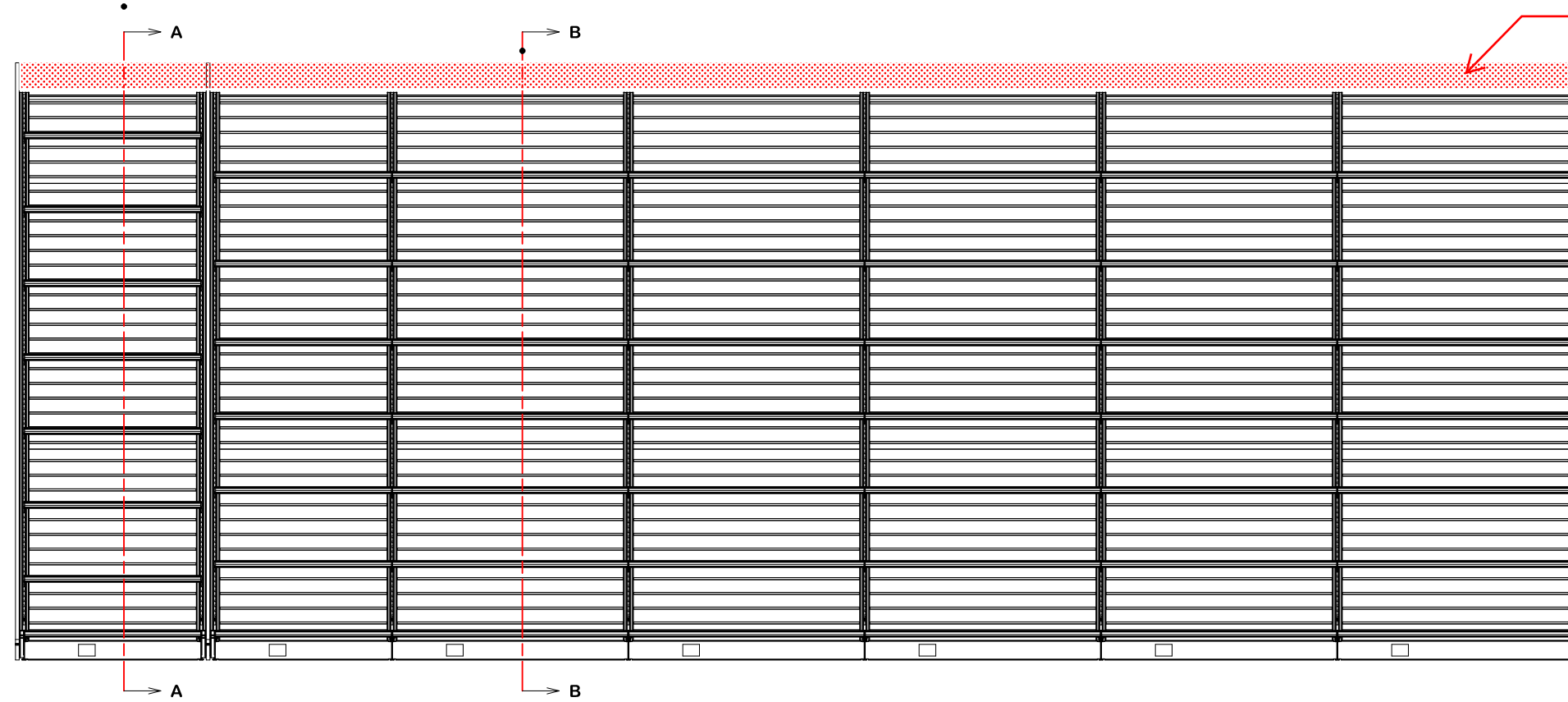
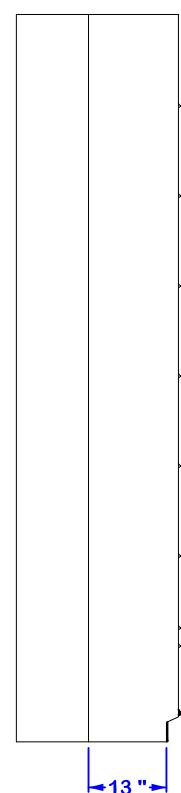
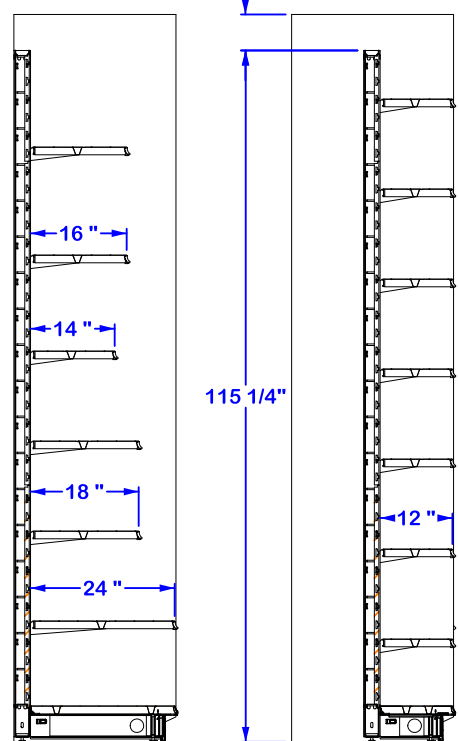


Quan	Description	Label	Material	Width	Length	Th	CNC	Index
2	Upright	-	Steel	-	-	-	-	-
1	Topcap	8250-132 TC	MDF	2.750	38.000	0.750	-	-
1	Top Spanner	STL	Steel	2.697	34.571	1.070	-	-
1	Slotwall Back OAH=54in	-	oak	34.500	49.188	0.750	-	-
1	Slotwall Back OAH=54in	-	oak	34.500	49.188	0.750	-	-
6	Shelf, Madix Standard	-	Steel	-	-	-	-	-
1	SLCB Lower Spanner	-	-	-	-	-	-	-
2	Kickplate, Standard OAW=36in	KP	Steel	4.000	36.000	1.330	-	-
2	End Panel	8250-132 EP	MDF	28.250	55.500	0.750	-	-
1	Caster Runner	MGPC	-	-	-	-	-	-
1	Caster Runner	MGPC	-	-	-	-	-	-
4	Base Shoe	BS	-	-	-	-	-	-
2	Base Shelf	SBS	Steel	13.341	36.000	1.472	-	-
4	Base End Cover, Left	SB	-	-	-	-	-	-
2	ASSEMBLY OAD=12.5in OAW=39.5in KRvl=0.5in OAH=5.5in	-	MDF	-	-	-	-	-

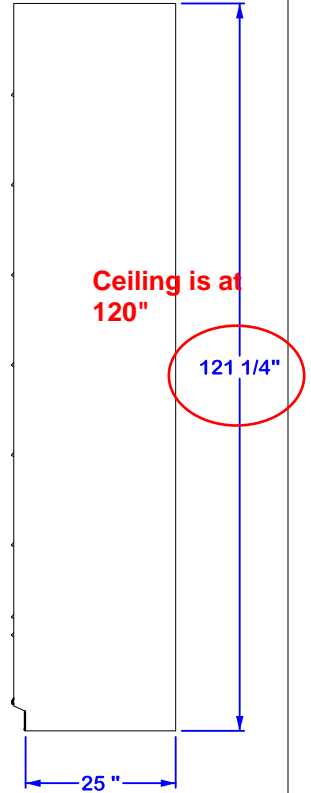
<b>franklin fixtures</b> <b>Franklin Fixtures, Inc.</b> 20 Patterson Brook Road West Wareham, MA 02576 (508) 291-1475 Voice (508) 291-3647 Fax info@franklinfixtures.com www.franklinfixtures.com	PROPRIETARY & CONFIDENTIAL. ©2009 Franklin Fixtures Inc. All Rights Reserved. The information contained in this drawing is the sole property of Franklin Fixtures, Inc. Any reproduction or transmission in whole or in part without the written permission of Franklin Fixtures, Inc. is strictly prohibited.			Drawn By: DNT 05/21/2010	<b>TITLE:</b> <b>Madix 2-Way Gondola "H"</b> <b>8320-113 2WAY</b>
	Material <b>TBD Cherry UON</b>	Checked By:	Approved:		
	Finish	Released:	3rd Angle Projection		
	Project <b>College of San Mateo</b> <b>Project #8320</b>	Comments			
Size <b>B</b>		Scale: 1:16		<b>Madix Gondola 'H'</b> S:\Projects\Customers Name, Location, Project #San Mateo Community	
Wt: 239 lbs		Sheet 1/1			



Section B - B      Section A - A

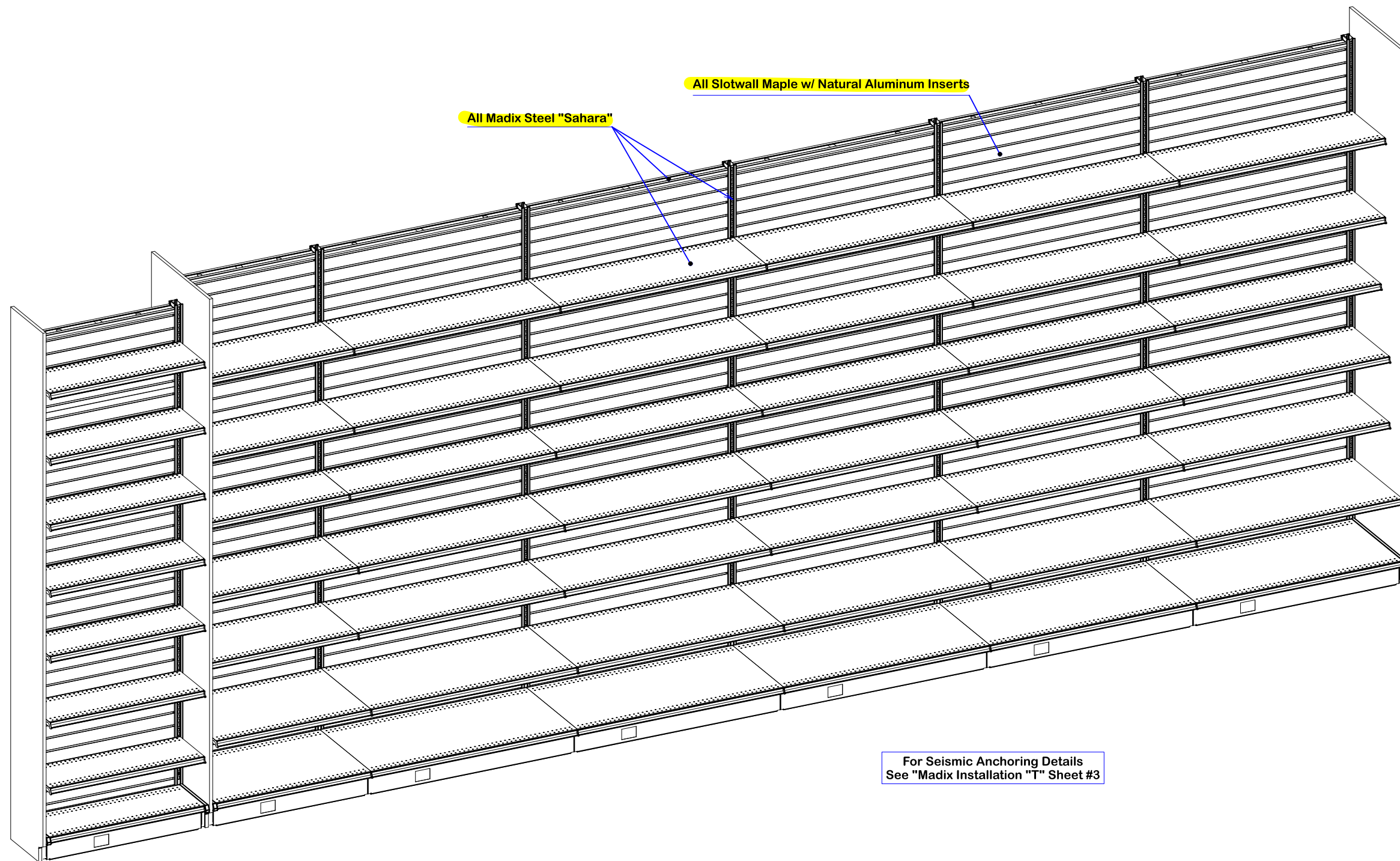


Exposed top of wall, extend slat wall to finish all exposed surfaces.

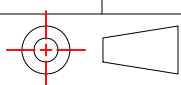


<b>franklin fixtures</b> <b>Franklin Fixtures, Inc.</b> 20 Patterson Brook Road West Wareham, MA 02576 (508) 291-1475 Voice (508) 291-3647 Fax info@franklinfixtures.com www.franklinfixtures.com	PROPRIETARY & CONFIDENTIAL. ©2009 Franklin Fixtures Inc. All Rights Reserved. The information contained in this drawing is the sole property of Franklin Fixtures, Inc. Any reproduction or transmission in whole or in part without the written permission of Franklin Fixtures, Inc. is strictly prohibited.			Drawn By: DNT 05/21/2010	<b>TITLE:</b> <b>Madix Installation "A"</b>
	Material: TBD Cherry UON	Checked By:	Approved:	Released:	
	Finish:	3rd Angle Projection			
	Project: College of San Mateo Project #8320	Comments:		Size B      Scale: 1:32	
				Wt: 1619 lbs	Sheet 1/2

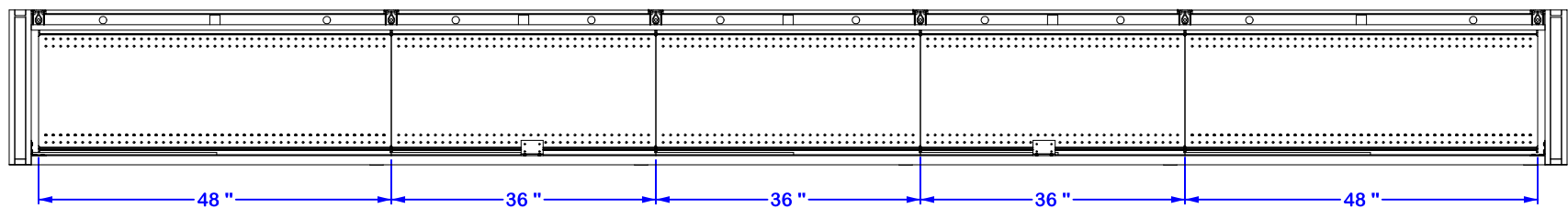




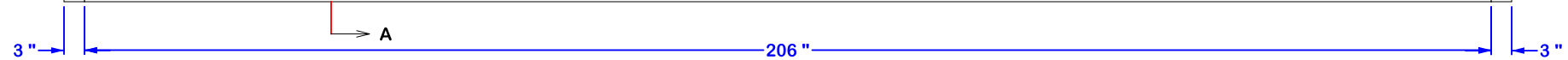
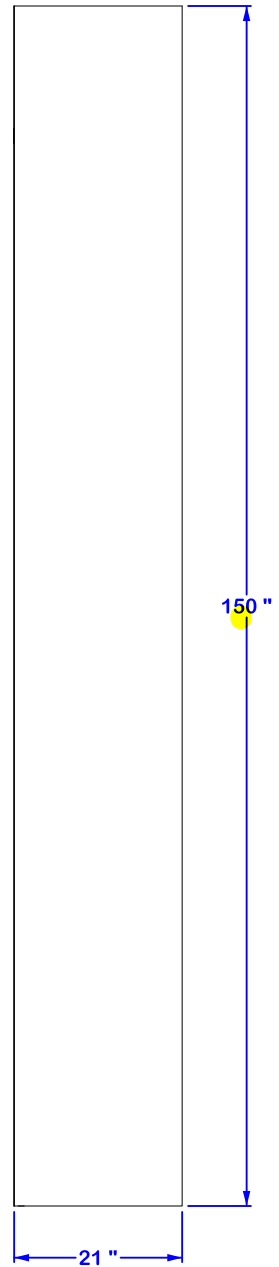
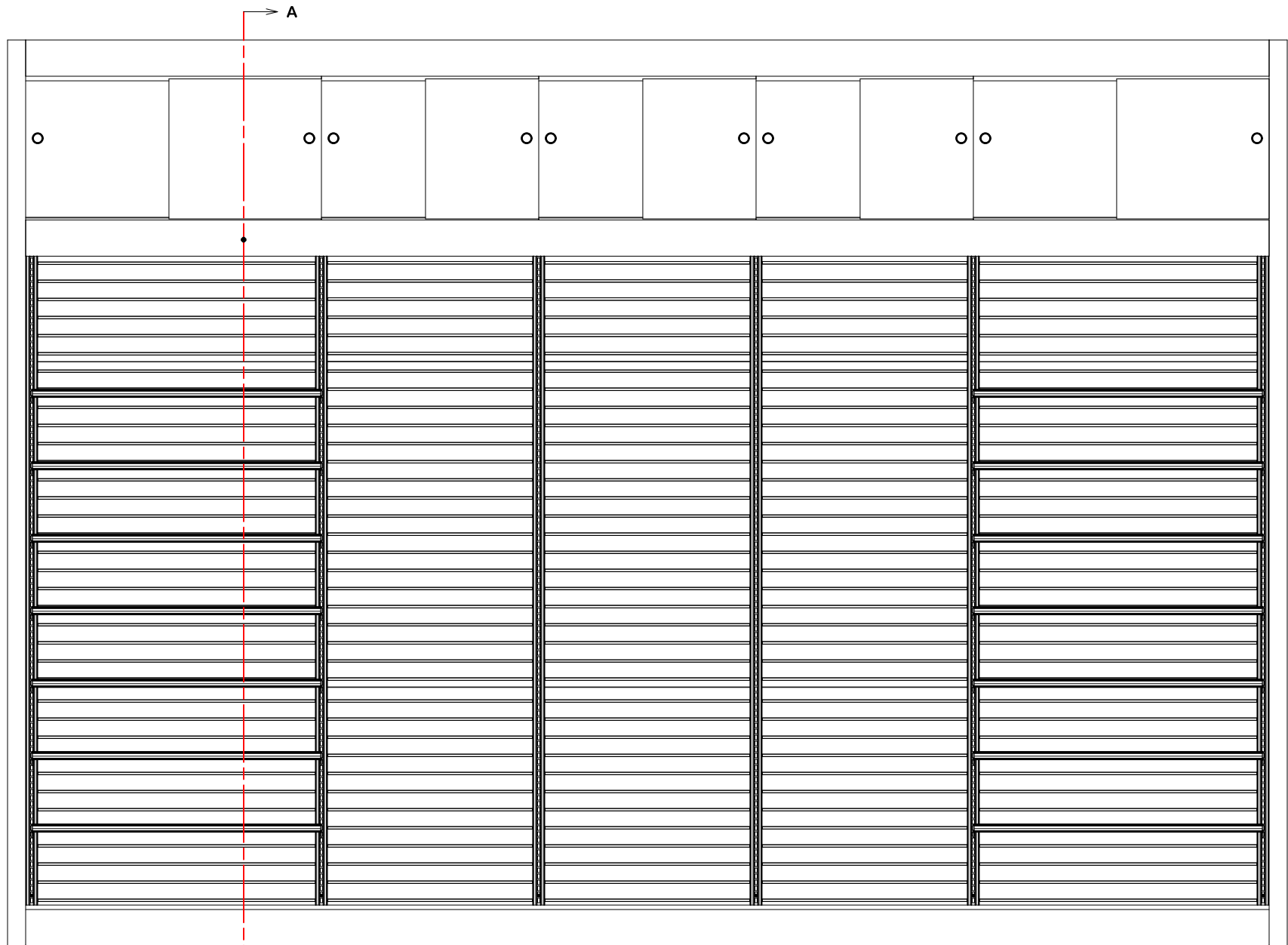
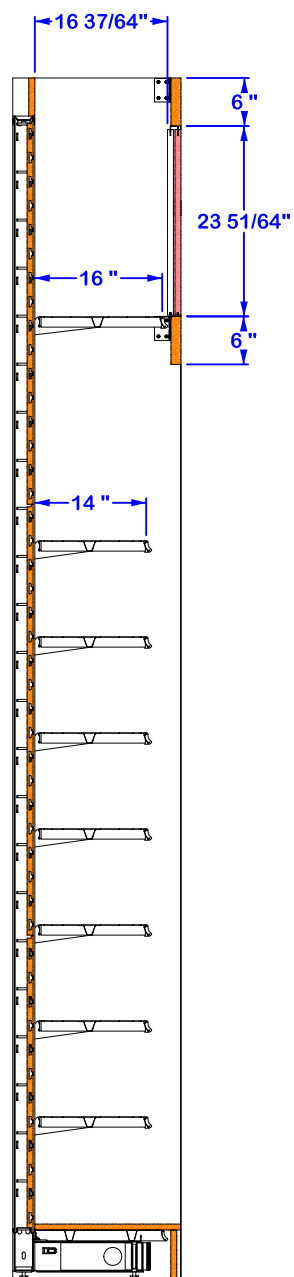
For Seismic Anchoring Details  
See "Madix Installation "T" Sheet #3

<b>franklin fixtures™</b> <b>Franklin Fixtures, Inc.</b> 20 Patterson Brook Road West Wareham, MA 02576 (508) 291-1475 Voice (508) 291-3647 Fax info@franklinfixtures.com www.franklinfixtures.com	PROPRIETARY & CONFIDENTIAL. ©2009 Franklin Fixtures Inc. All Rights Reserved. The information contained in this drawing is the sole property of Franklin Fixtures, Inc. Any reproduction or transmission in whole or in part without the written permission of Franklin Fixtures, Inc. is strictly prohibited.			Drawn By: DNT 05/21/2010	<b>TITLE:</b>  <b>Madix Installation "A"</b>  Size <b>B</b> Scale: 1:24 Madix Installation 'A' <small>S:\Projects\Customers Name, Location, Project #\San Mateo Community</small>
	Material: <b>TBD Cherry UON</b>	Checked By:	Approved:		
	Finish:	Released:	3rd Angle Projection 		
	Project: <b>College of San Mateo Project #8320</b>	Comments:		Wt: 1619 lbs      Sheet 2/2	

End panels to be scribed to fit alcove and center casework in space.



Section A - A



**franklin fixtures**  
**Franklin Fixtures, Inc.**  
 20 Patterson Brook Road  
 West Wareham, MA 02576  
 (508) 291-1475 Voice  
 (508) 291-3647 Fax  
 info@franklinfixtures.com  
 www.franklinfixtures.com

PROPRIETARY & CONFIDENTIAL. ©2009 Franklin Fixtures Inc. All Rights Reserved. The information contained in this drawing is the sole property of Franklin Fixtures, Inc. Any reproduction or transmission in whole or in part without the written permission of Franklin Fixtures, Inc. is strictly prohibited.

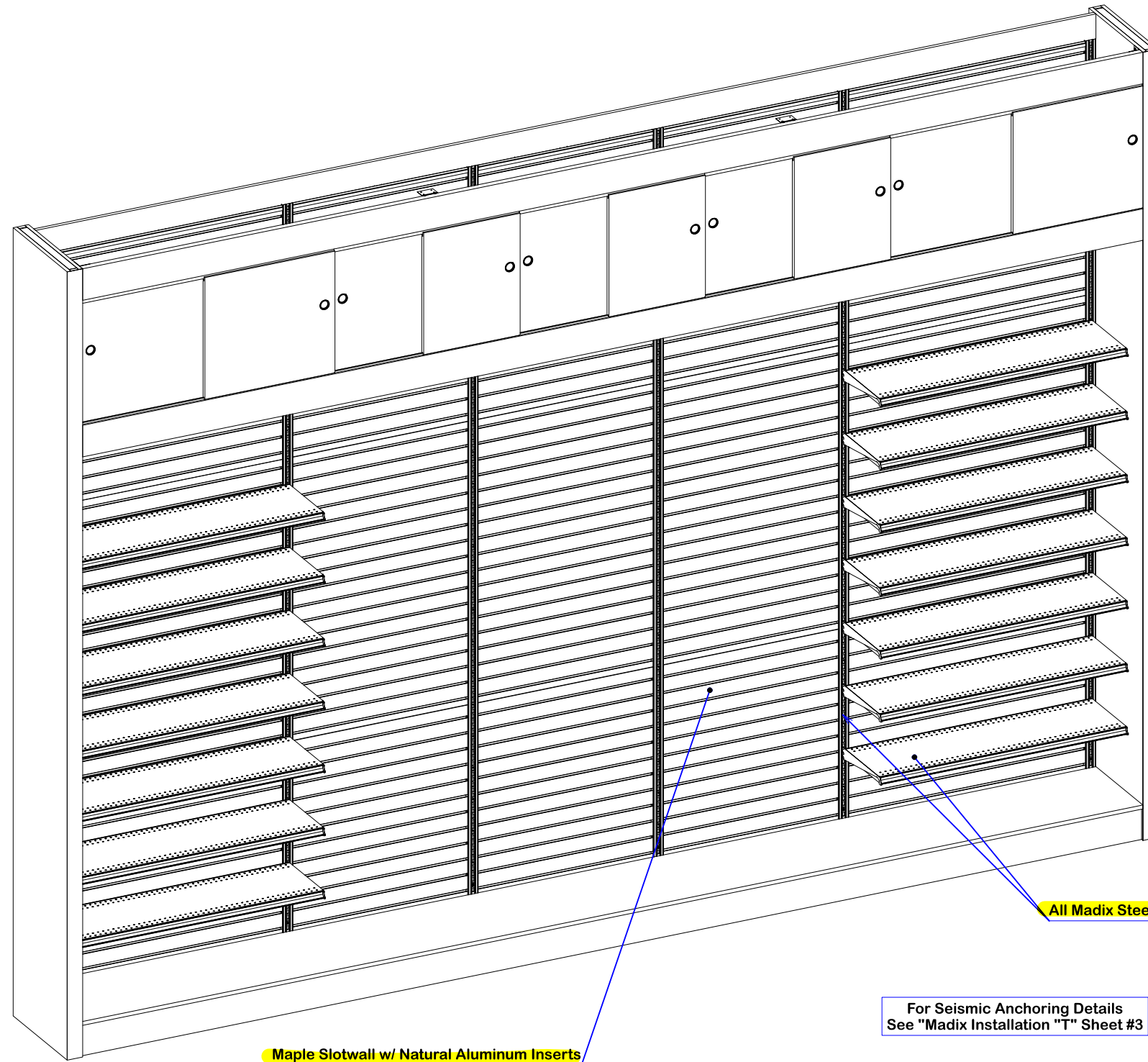
Material: **TBD Cherry UON**

Finish: **3rd Angle Projection**

Project: **College of San Mateo Project #8320**

Drawn By:	DNT	05/21/2010
Checked By:		
Approved:		
Released:		

TITLE: <b>Madix Installation Wall "E"</b>	
Size <b>B</b>	Scale: 1:24
Madix Installation 'E' S:\Projects\Customers Name, Location, Project #San Mateo Community	
Wt: 1490 lbs	Sheet 1/2



**franklin fixtures**  
**Franklin Fixtures, Inc.**  
 20 Patterson Brook Road  
 West Wareham, MA 02576  
 (508) 291-1475 Voice  
 (508) 291-3647 Fax  
 info@franklinfixtures.com  
 www.franklinfixtures.com

PROPRIETARY & CONFIDENTIAL. ©2009 Franklin Fixtures Inc. All Rights Reserved. The information contained in this drawing is the sole property of Franklin Fixtures, Inc. Any reproduction or transmission in whole or in part without the written permission of Franklin Fixtures, Inc. is strictly prohibited.

Material **TBD Cherry UON**

Finish

Project **College of San Mateo Project #8320**

Drawn By:	DNT	05/21/2010
Checked By:		
Approved:		
Released:		

3rd Angle Projection

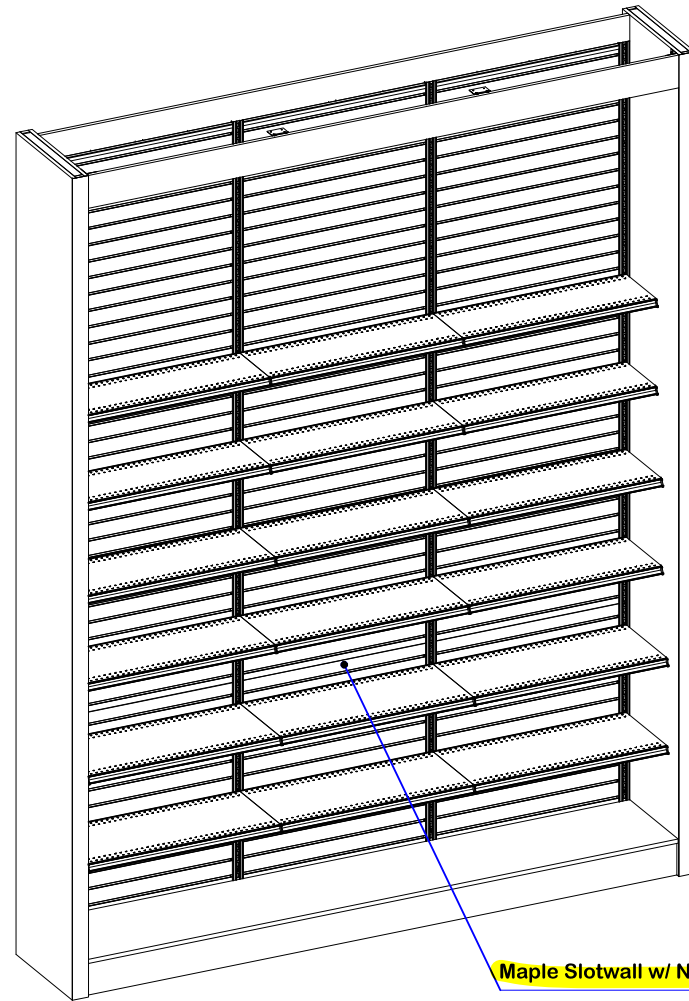
Comments

TITLE:  
**Madix Installation Wall "E"**

Size **B** Scale: 1:24

Madix Installation 'E'  
 S:\Projects\Customers Name, Location, Project #\San Mateo Community

Wt: 1490 lbs Sheet 2/2

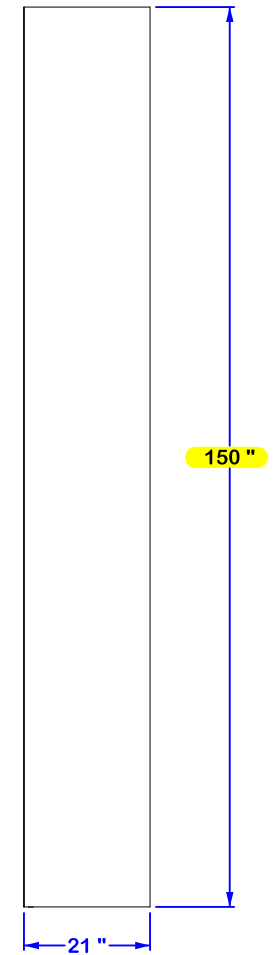
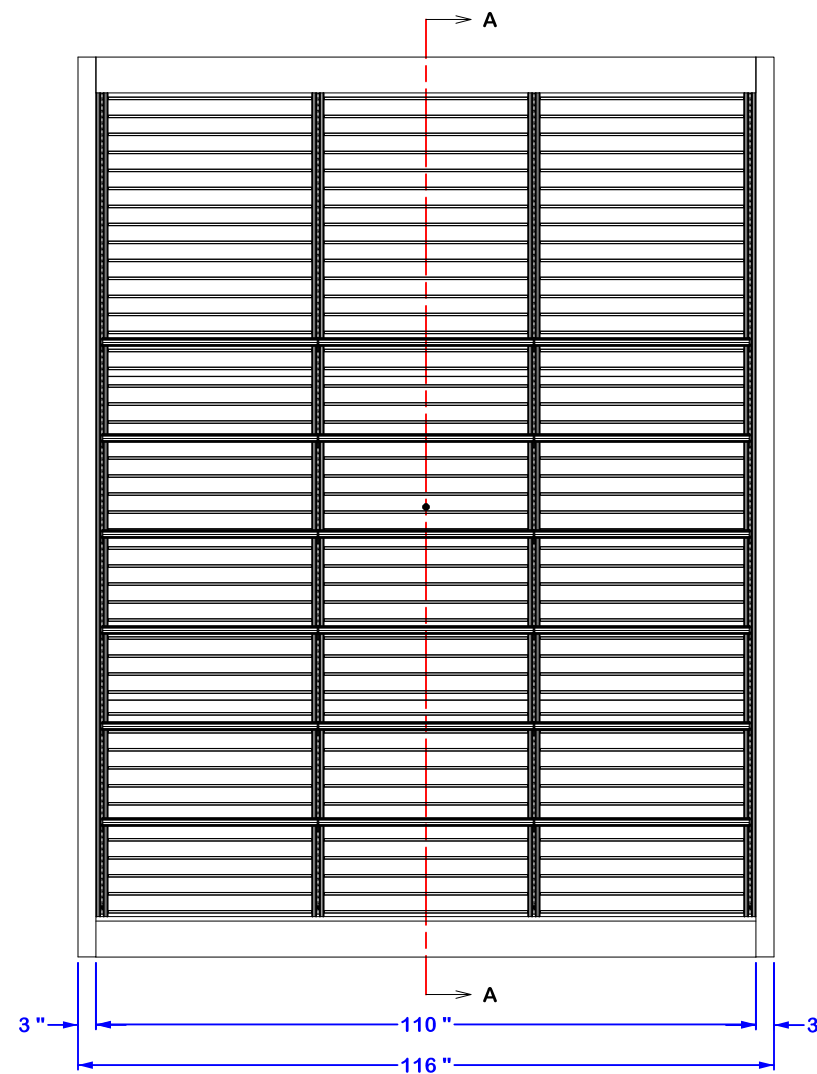
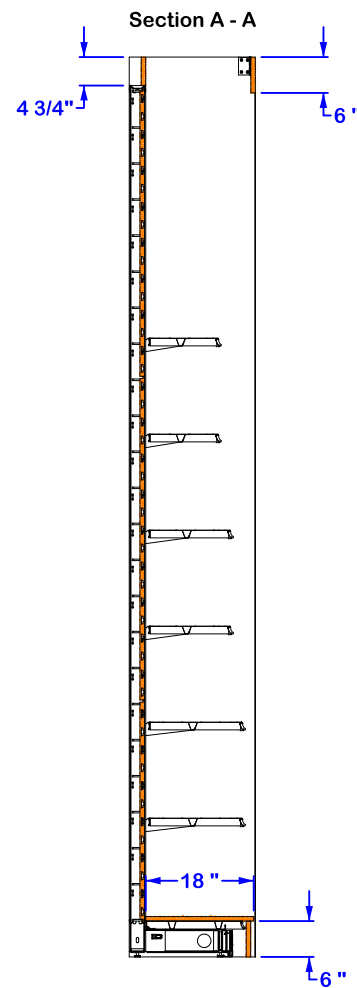
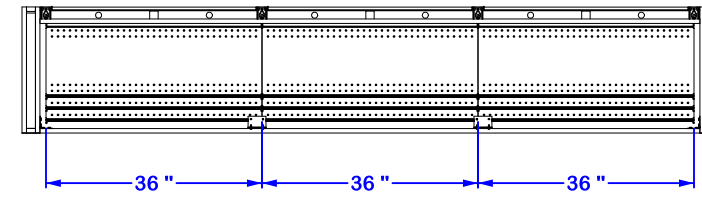


Maple Slotwall w/ Natural Aluminum Inserts

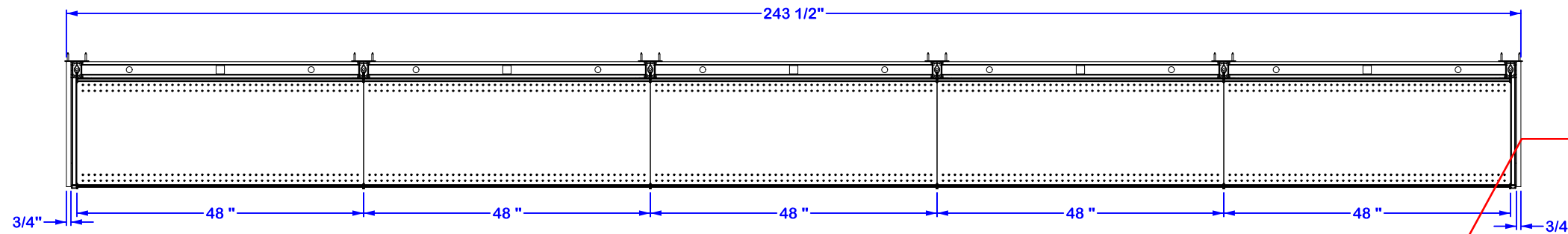
For Seismic Anchoring Details  
See "Madix Installation "T" Sheet #3

Wall Ref	Base Depth	Starter	Adder(s)	Shelves per Section
"B"	16"	48"	2 @ 48"	1 Section None 2 Sections 7 @ 18" Dp
"C" [1]	16"	48"	4 @ 48" & 3 @ 36"	6 @ 16" Dp (Radiused Shelves)
"C" [2]	16"	48"	36"	6 @ 16" Dp (Radiused Shelves)
"G"	16"	48"	3 @ 48"	1 @ 16" Dp, 1 @ 14" Dp & 2 @ 12" Dp
"S"	16"	36"	2 @ 36"	2 @ 16" Dp, 2 @ 14" Dp & 2 @ 12" Dp
"F"	12"	36"	1 @ 36"	7 @ 12" Dp

These values in the chart do not coordinate with the plan for items C(1) C(2). Item F should be built to fit Architectural opening of wall. All locations must be field verified to fit.

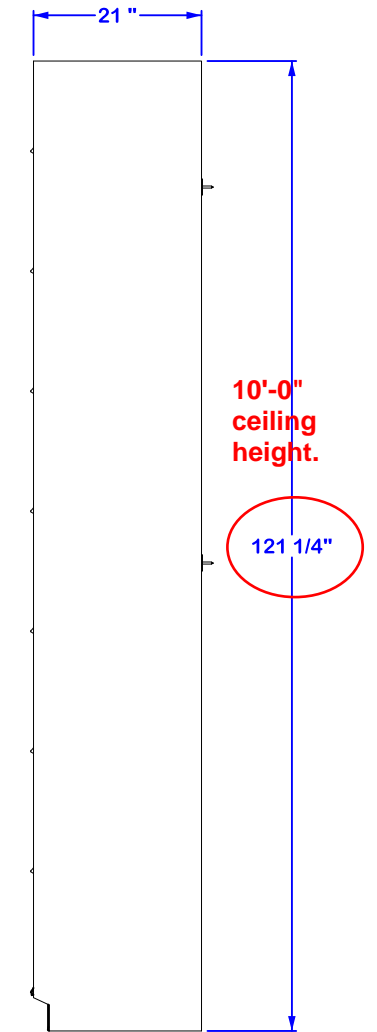
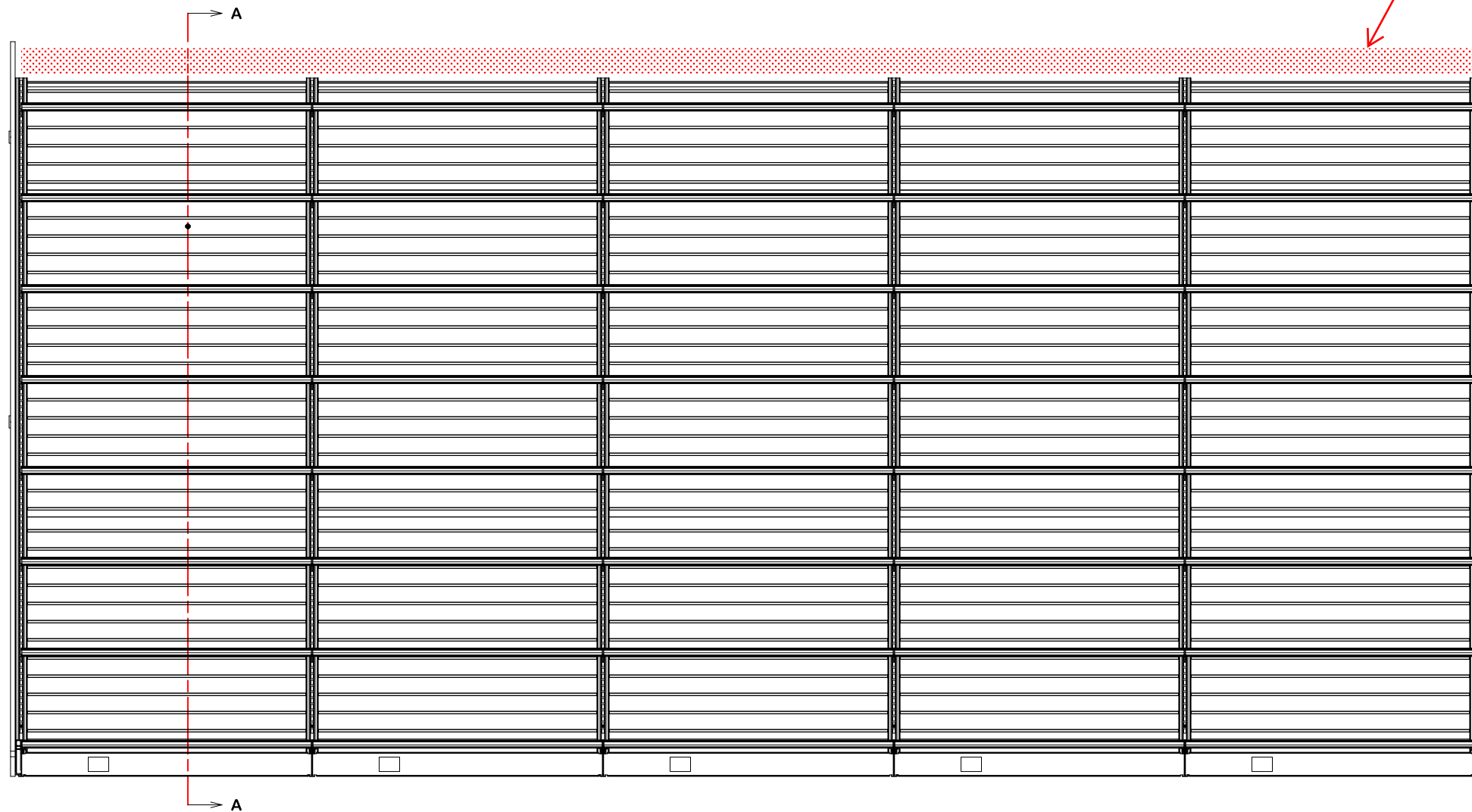
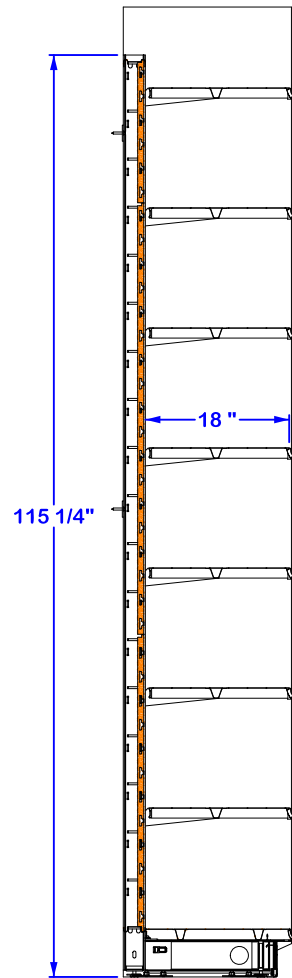


<b>franklin fixtures</b> <b>Franklin Fixtures, Inc.</b> 20 Patterson Brook Road West Wareham, MA 02576 (508) 291-1475 Voice (508) 291-3647 Fax info@franklinfixtures.com www.franklinfixtures.com	PROPRIETARY & CONFIDENTIAL. ©2009 Franklin Fixtures Inc. All Rights Reserved. The information contained in this drawing is the sole property of Franklin Fixtures, Inc. Any reproduction or transmission in whole or in part without the written permission of Franklin Fixtures, Inc. is strictly prohibited.			Drawn By: DNT 05/18/2010	<b>TITLE:</b> <b>Madix Installation</b> <b>"B", "C", "F", "G" &amp; "S"</b>
	Material: TBD Cherry UON	Checked By:	Approved:	Size B Scale: 1:32	
	Finish:	Released:	3rd Angle Projection		
	Project: College of San Mateo Project #8320	Comments:		Madix Installation 'S' S:\Projects\Customers Name, Location, Project #\San Mateo Community	
				Wt: 916 lbs	Sheet 1/1



Exposed wall beyond extend slotwall to cover entire surface.

Section A - A



**franklin fixtures**  
**Franklin Fixtures, Inc.**  
 20 Patterson Brook Road  
 West Wareham, MA 02576  
 (508) 291-1475 Voice  
 (508) 291-3647 Fax  
 info@franklinfixtures.com  
 www.franklinfixtures.com

PROPRIETARY & CONFIDENTIAL. ©2009 Franklin Fixtures Inc. All Rights Reserved. The information contained in this drawing is the sole property of Franklin Fixtures, Inc. Any reproduction or transmission in whole or in part without the written permission of Franklin Fixtures, Inc. is strictly prohibited.

Material **Cherry UNO**

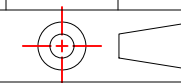
Finish

Project **College of San Mateo Project #8320**

Drawn By: DNT 05/23/2010  
 Checked By:  
 Approved:  
 Released:

3rd Angle Projection

Comments

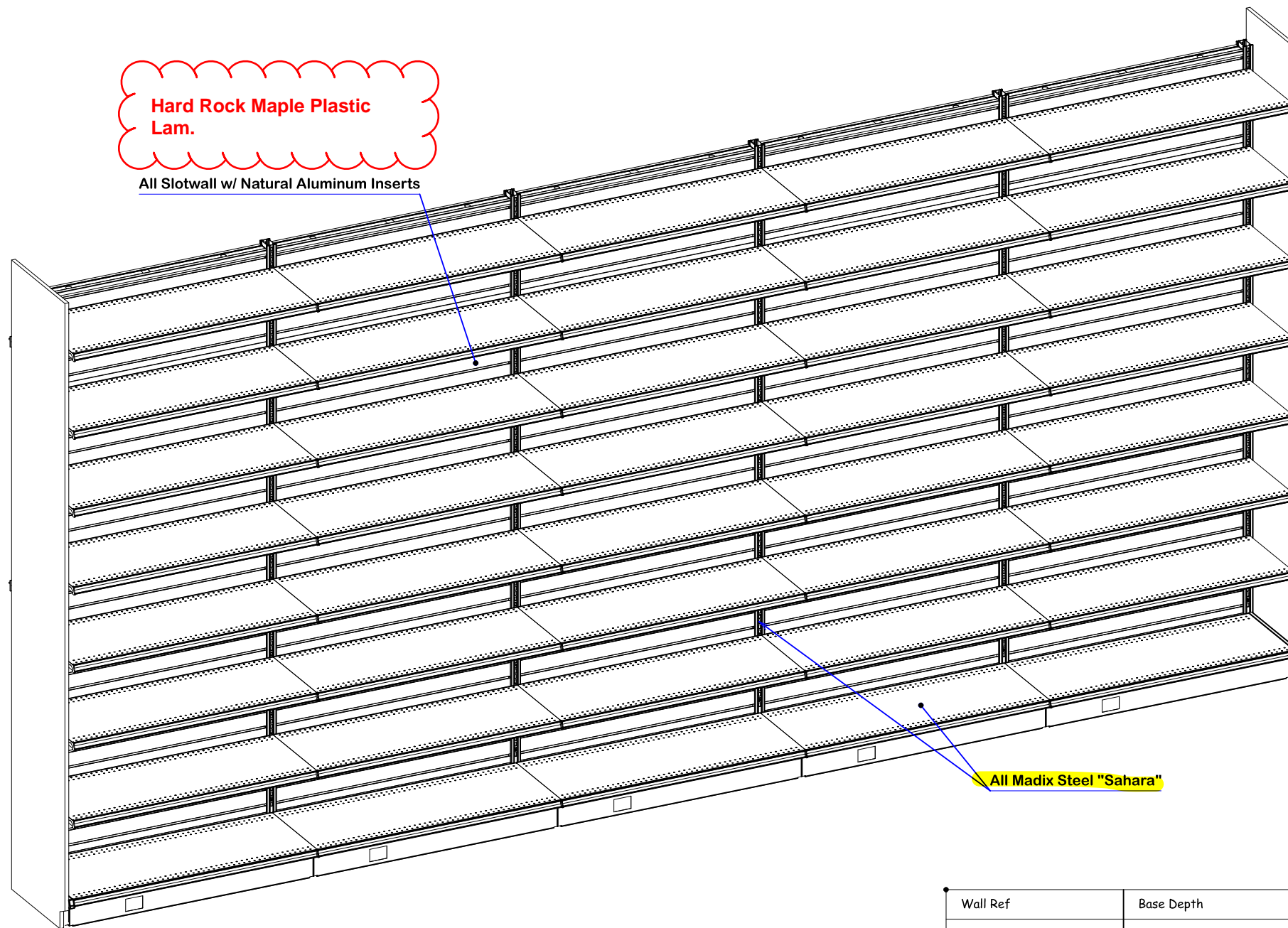


TITLE:  
**Madix Installation "T" & "A-7"**

Size **B** Scale: 1:24

Madix Installation "T"  
 S:\Projects\Customers Name, Location, Project #\San Mateo Community

Wt: 1249 lbs Sheet 1/3



Wall Ref	Base Depth	Starter	Adder(s)	Shelves per Section
1	18"	48"	2 @ 48"	7 @ 18" Dp
2	18"	48"	4 @ 48"	7 @ 18" Dp
3	18"	48"	7 @ 48" & 2 @ 36"	7 @ 18" Dp
"A-7"	18"	48"	1 @ 48"	7 @ 18" Dp

**franklin fixtures**  
**Franklin Fixtures, Inc.**  
 20 Patterson Brook Road  
 West Wareham, MA 02576  
 (508) 291-1475 Voice  
 (508) 291-3647 Fax  
 info@franklinfixtures.com  
 www.franklinfixtures.com

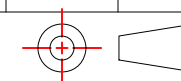
PROPRIETARY & CONFIDENTIAL. ©2009 Franklin Fixtures Inc. All Rights Reserved. The information contained in this drawing is the sole property of Franklin Fixtures, Inc. Any reproduction or transmission in whole or in part without the written permission of Franklin Fixtures, Inc. is strictly prohibited.

Finish: Cherry UNO.

Project: College of San Mateo  
 Project #8320

Drawn By: DNT 05/23/2010  
 Checked By:  
 Approved:  
 Released:

3rd Angle Projection



Comments

TITLE:  
**Madix Installation "T" & "A-7"**

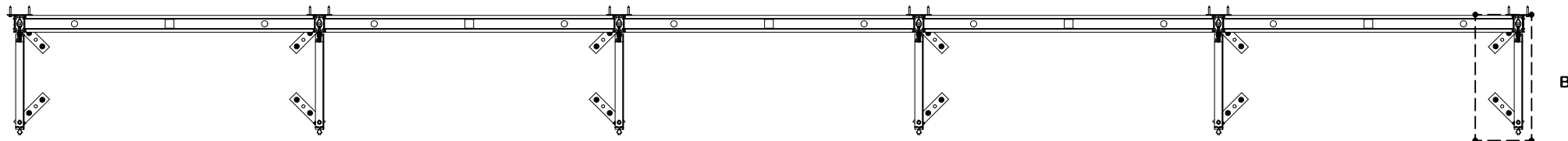
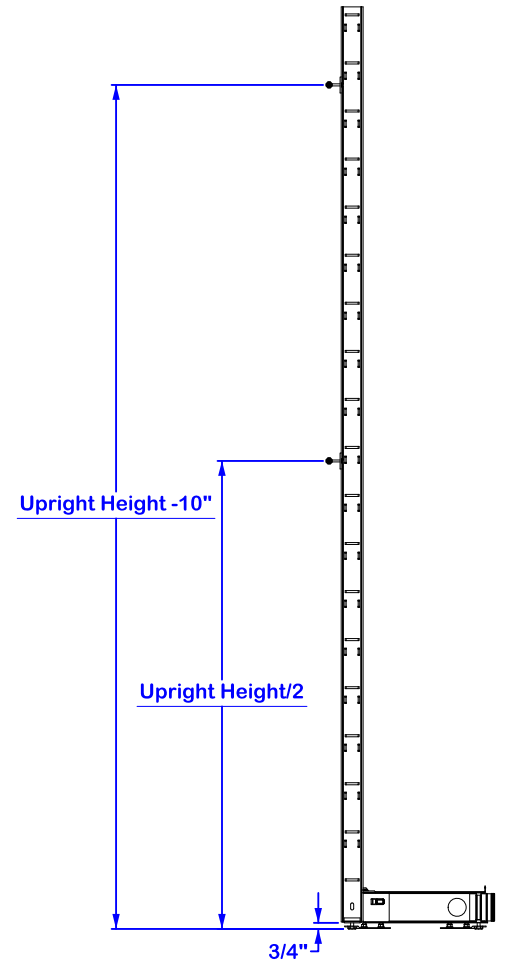
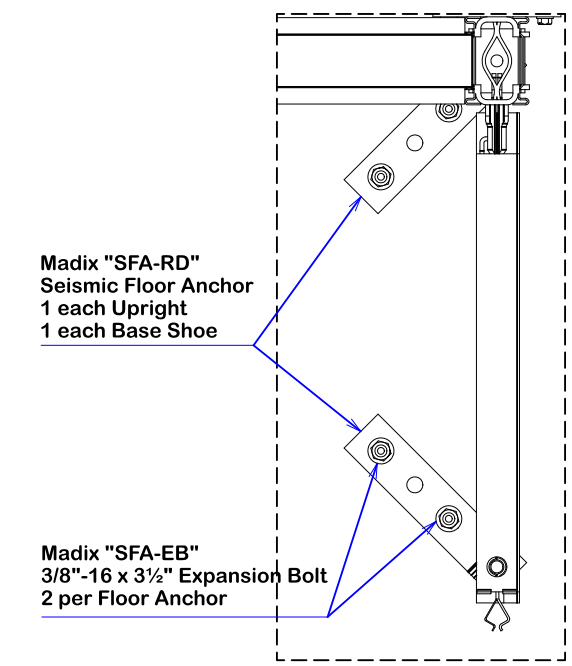
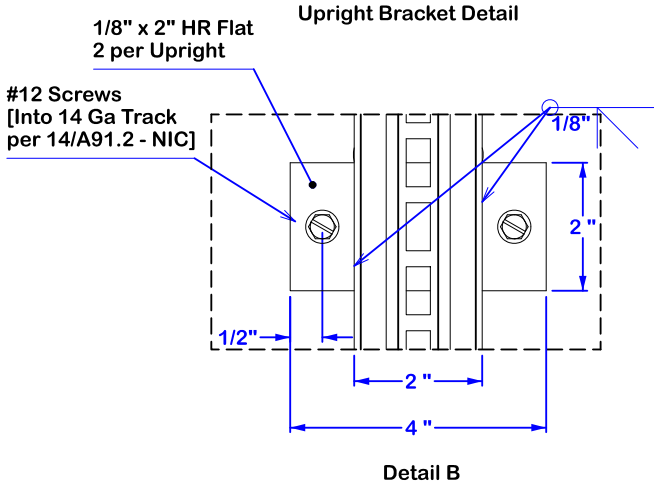
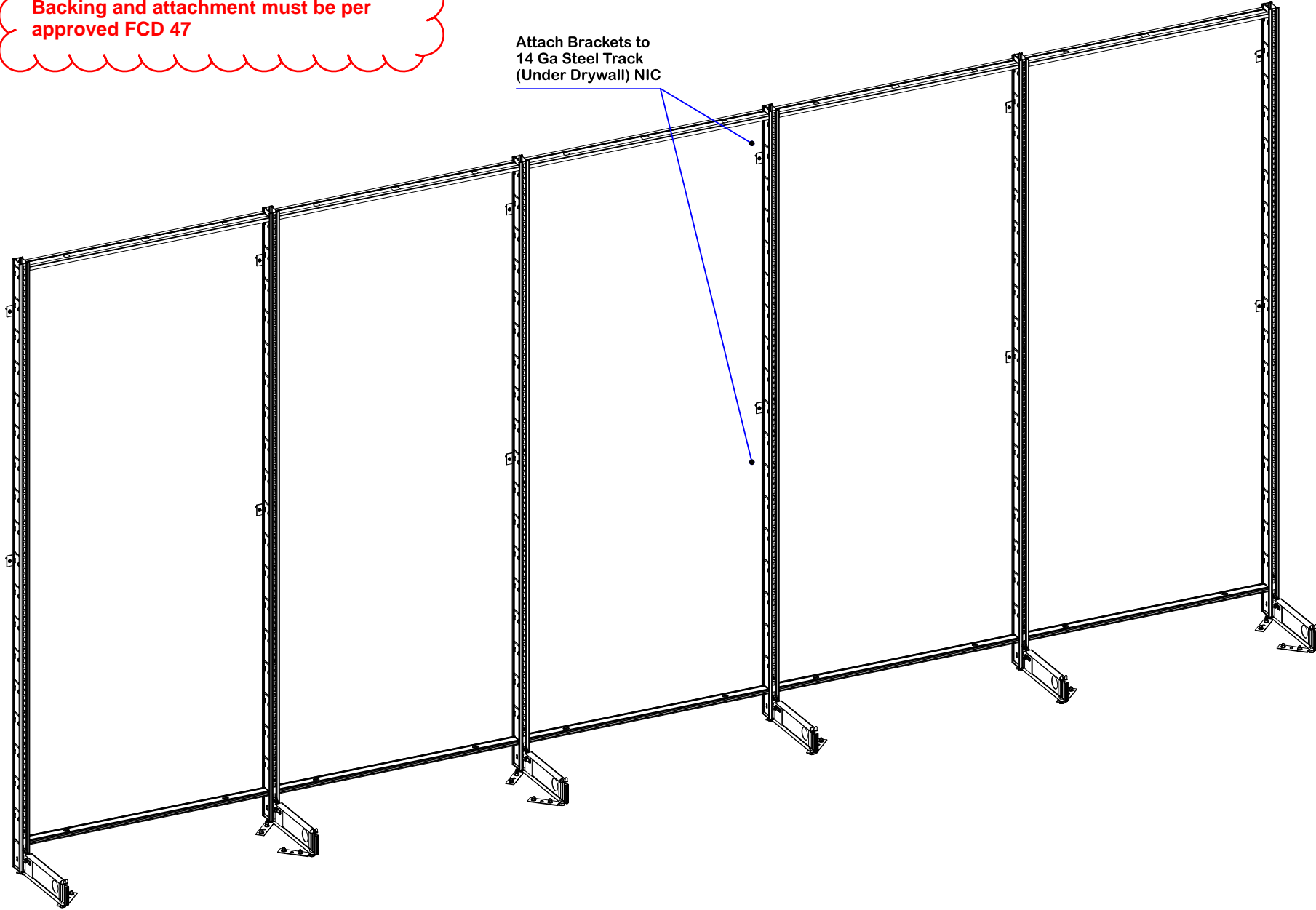
Size B Scale: 1:24

Madix Installation "T"  
 S:\Projects\Customers Name, Location, Project #San Mateo Community

Wt: 1249 lbs Sheet 2/3

Backing and attachment must be per approved FCD 47

Attach Brackets to 14 Ga Steel Track (Under Drywall) NIC



Note:  
 Brackets Detail & Seismic Anchoring Requirements per Forell/Elsesser Engineers, Inc.  
 160 Pine Street  
 San Francisco, CA 94111  
 (415) 837-0700  
 Job #06-091.002

**franklin fixtures**  
**Franklin Fixtures, Inc.**  
 20 Patterson Brook Road  
 West Wareham, MA 02576  
 (508) 291-1475 Voice  
 (508) 291-3647 Fax  
 info@franklinfixtures.com  
 www.franklinfixtures.com

PROPRIETARY & CONFIDENTIAL. ©2009 Franklin Fixtures Inc. All Rights Reserved. The information contained in this drawing is the sole property of Franklin Fixtures, Inc. Any reproduction or transmission in whole or in part without the written permission of Franklin Fixtures, Inc. is prohibited.  
 College of San Mateo  
 Project #8320

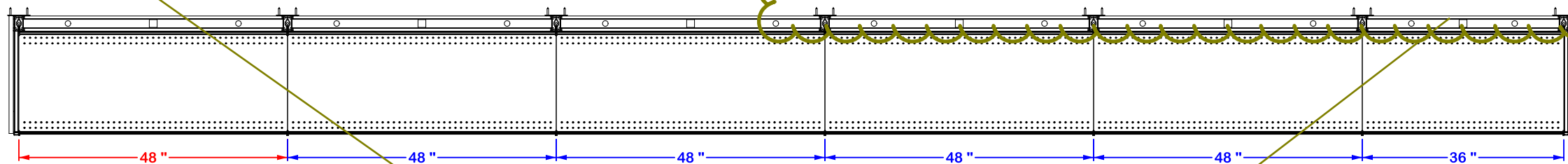
Material	3rd Angle Projection
Finish	Project

Drawn By:	DNT	05/23/2010
Checked By:		
Approved:		
Released:		

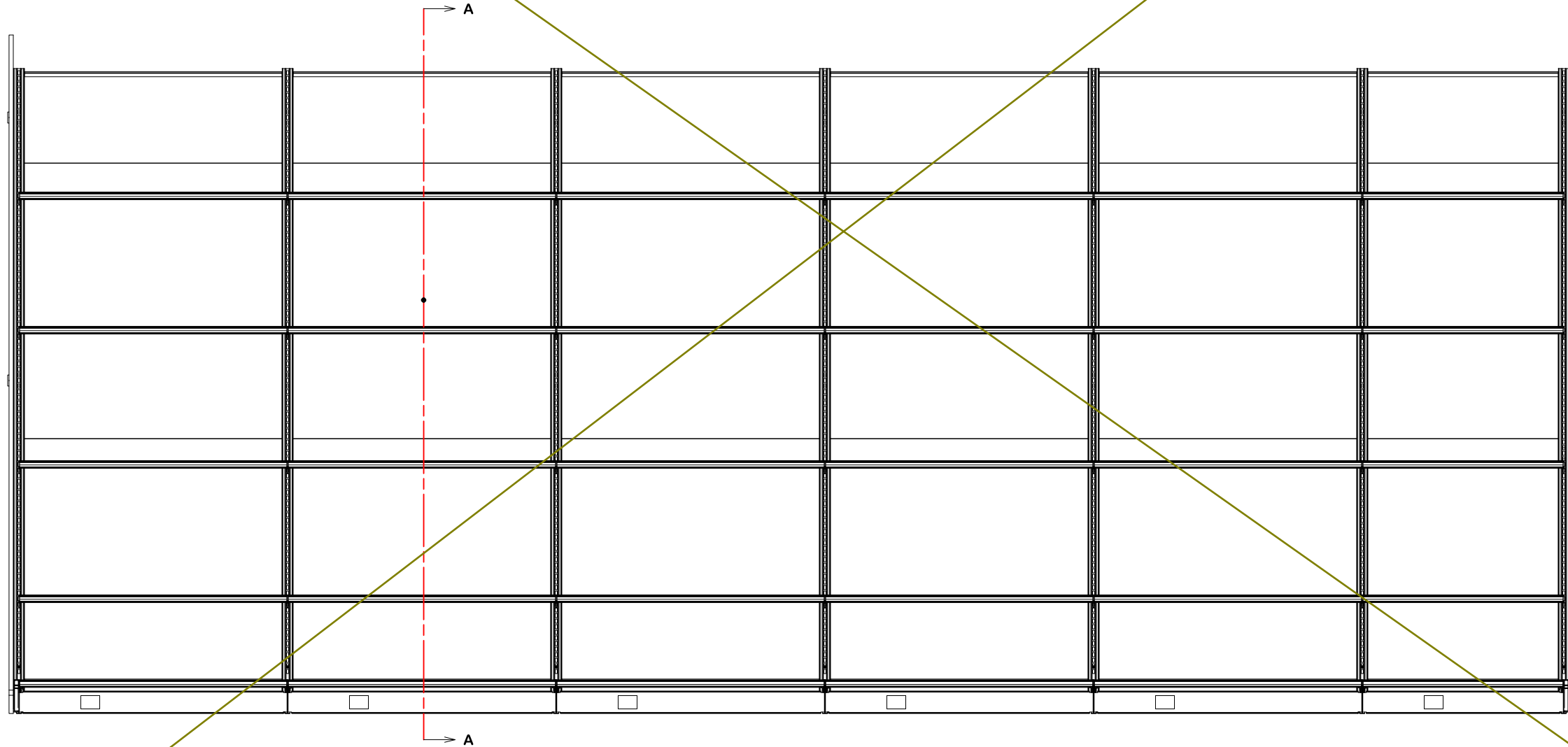
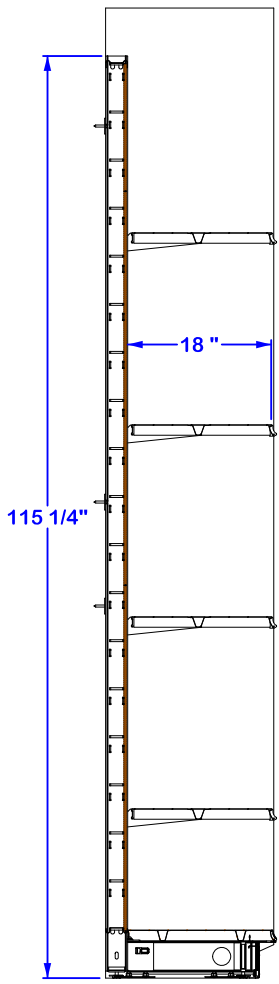
3rd Angle Projection

TITLE: <b>Madix Seismic Anchoring</b>	
Size <b>B</b>	Scale: 1:24
Madix Installation 'T'	
S:\Projects\Customers Name, Location, Project #\San Mateo Community	
Wt: 1280 lbs	Sheet 3/3

These should be 4 posted storage shelving with no fixed base shelf. All shelves to be adjustable.

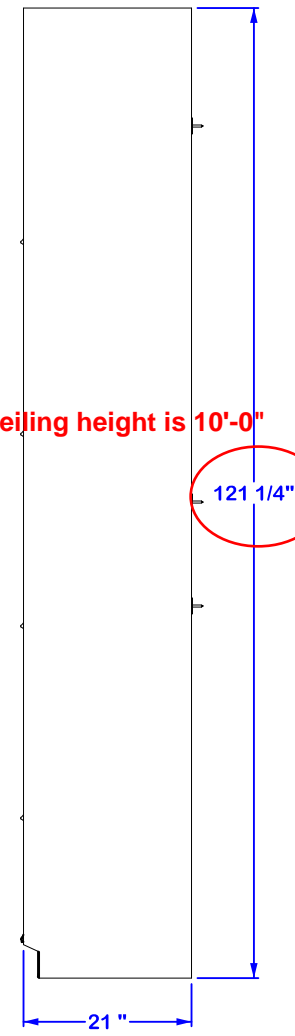


Section A - A



Ceiling height is 10'-0"

121 1/4"



**franklin fixtures**  
**Franklin Fixtures, Inc.**  
 20 Patterson Brook Road  
 West Wareham, MA 02576  
 (508) 291-1475 Voice  
 (508) 291-3647 Fax  
 info@franklinfixtures.com  
 www.franklinfixtures.com

PROPRIETARY & CONFIDENTIAL. ©2009 Franklin Fixtures Inc. All Rights Reserved. The information contained in this drawing is the sole property of Franklin Fixtures, Inc. Any reproduction or transmission in whole or in part without the written permission of Franklin Fixtures, Inc. is strictly prohibited.

Material: **Almond Melamine UON**

Finish: 3rd Angle Projection

Project: **College of San Mateo Project #8320**

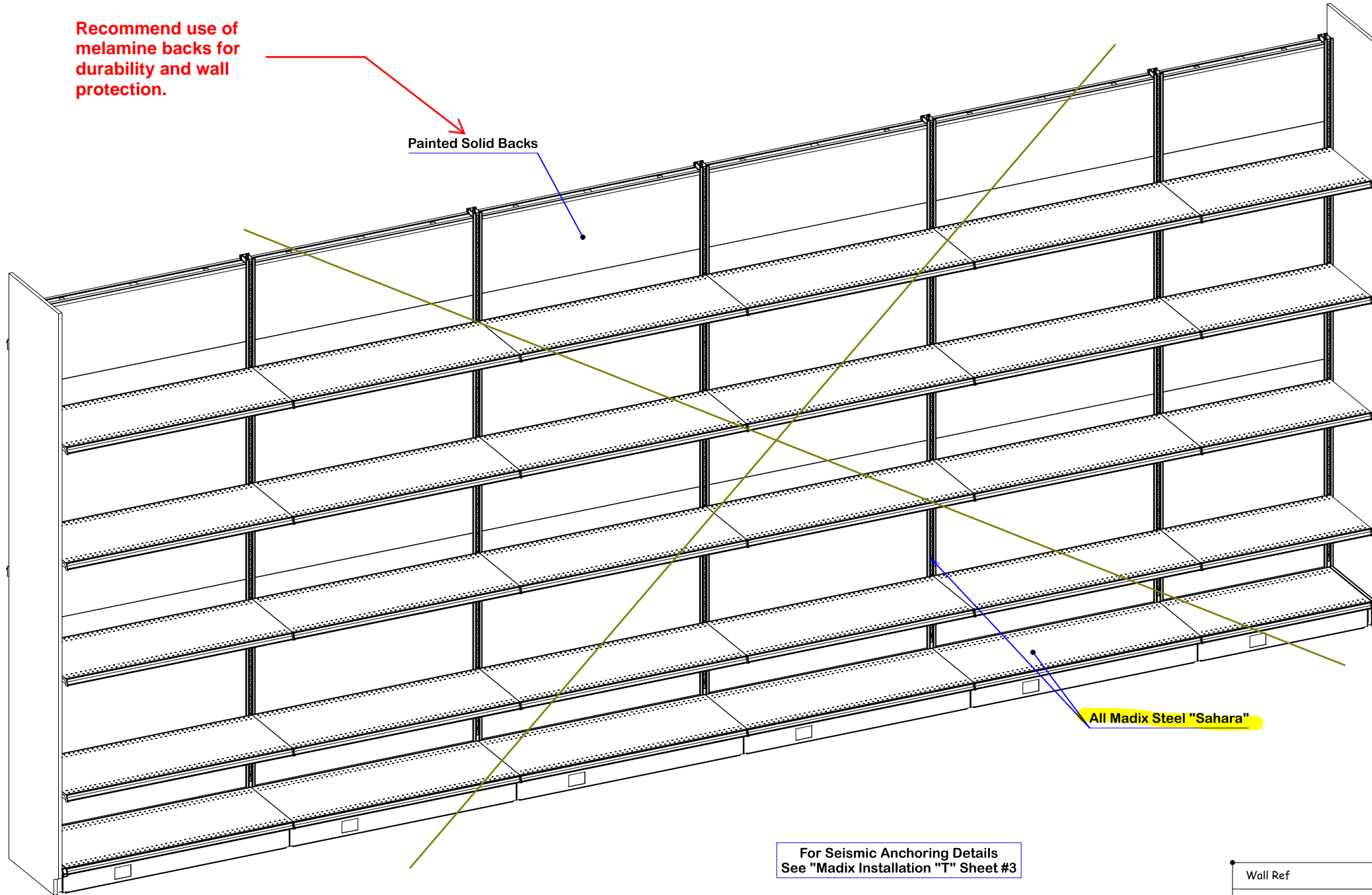
Drawn By:	DNT	05/23/2010
Checked By:		
Approved:		
Released:		

TITLE: <b>Madix Installation "U"</b>	
Size <b>B</b>	Scale: 1:24
Madix Installation 'U' S:\Projects\Customers Name, Location, Project #\San Mateo Community	
Wt: 958 lbs	Sheet 1/2



Recommend use of melamine backs for durability and wall protection.

Painted Solid Backs



These should be 4 posted storage shelving with no fixed base shelf. All shelves to be adjustable.

All Madix Steel "Sahara"

For Seismic Anchoring Details See "Madix Installation "T" Sheet #3

Wall Ref	Base Depth	Starter	Adder(s)	Shelves per Section
1	18"	48"	4 @ 48" & 1 @ 36"	4 @ 18" Dp
2	18"	36"	1 @ 36" & 6 @ 48"	4 @ 18" Dp
3	18"	36"	1 @ 36"	4 @ 18" Dp

**franklin fixtures**  
**Franklin Fixtures, Inc.**  
 20 Patterson Brook Road  
 West Wareham, MA 02576  
 (508) 291-1475 Voice  
 (508) 291-3647 Fax  
 info@franklinfixtures.com  
 www.franklinfixtures.com

PROPRIETARY & CONFIDENTIAL. ©2009 Franklin Fixtures Inc. All Rights Reserved. The information contained in this drawing is the sole property of Franklin Fixtures, Inc. Any reproduction or transmission in whole or in part without the written permission of Franklin Fixtures, Inc. is strictly prohibited.

Material: Almond Melamine UON

Finish:

Project: College of San Mateo Project #8320

Drawn By: DNT 05/23/2010  
 Checked By:  
 Approved:  
 Released:

3rd Angle Projection

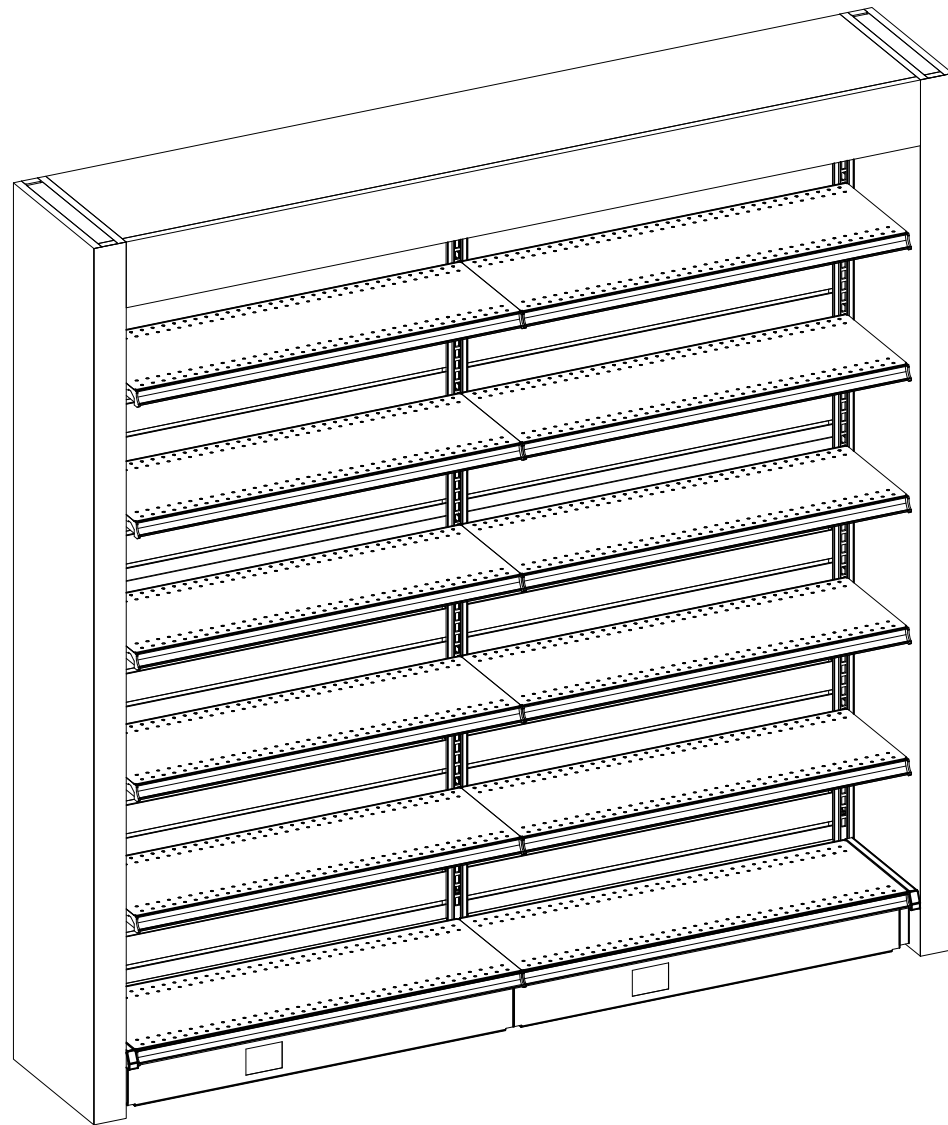
Comments

TITLE: Madix Installation "U"

Size B Scale: 1:24

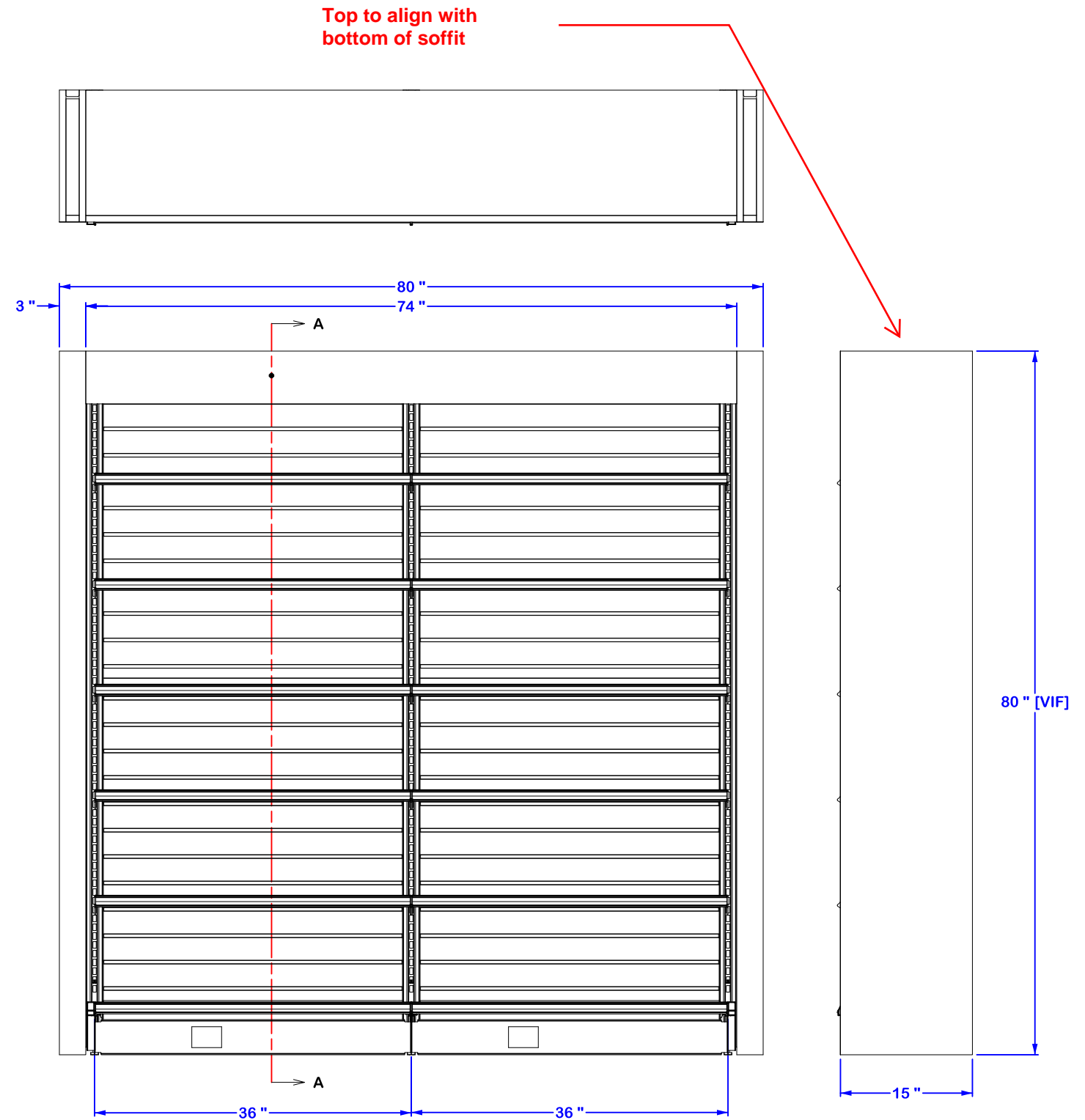
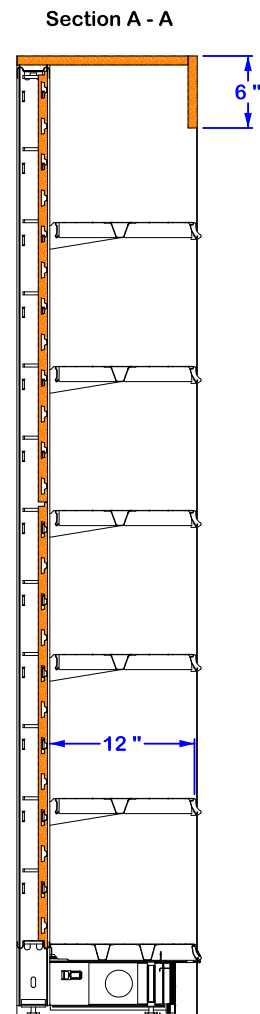
Madix Installation 'U'  
 S:\Projects\Customers Name, Location, Project #\San Mateo Community

Wt: 958 lbs Sheet 2/2



For Seismic Anchoring Details  
See "Madix Installation "T" Sheet #3

Finish in C-store to be Hardrock Maple Plastic Laminate, not clear where the "Z" item is located by plan.



<b>franklin fixtures</b> <b>Franklin Fixtures, Inc.</b> 20 Patterson Brook Road West Wareham, MA 02576 (508) 291-1475 Voice (508) 291-3647 Fax info@franklinfixtures.com www.franklinfixtures.com	PROPRIETARY & CONFIDENTIAL. ©2009 Franklin Fixtures Inc. All Rights Reserved. The information contained in this drawing is the sole property of Franklin Fixtures, Inc. Any reproduction or transmission in whole or in part without the written permission of Franklin Fixtures, Inc. is strictly prohibited.			Drawn By: DNT 05/21/2010	<b>TITLE:</b> <b>Madix Wall "Y2"</b>
	Material: TBD	Checked By:	Approved:	Size <b>B</b> Scale: 1:16	
	Finish:	Released:	3rd Angle Projection		
	Project: College of San Mateo Project #8320	Comments:		Madix Installation "Y2" <small>S:\Projects\Customers Name, Location, Project #\San Mateo Community</small> Wt: 382 lbs      Sheet 1/1	

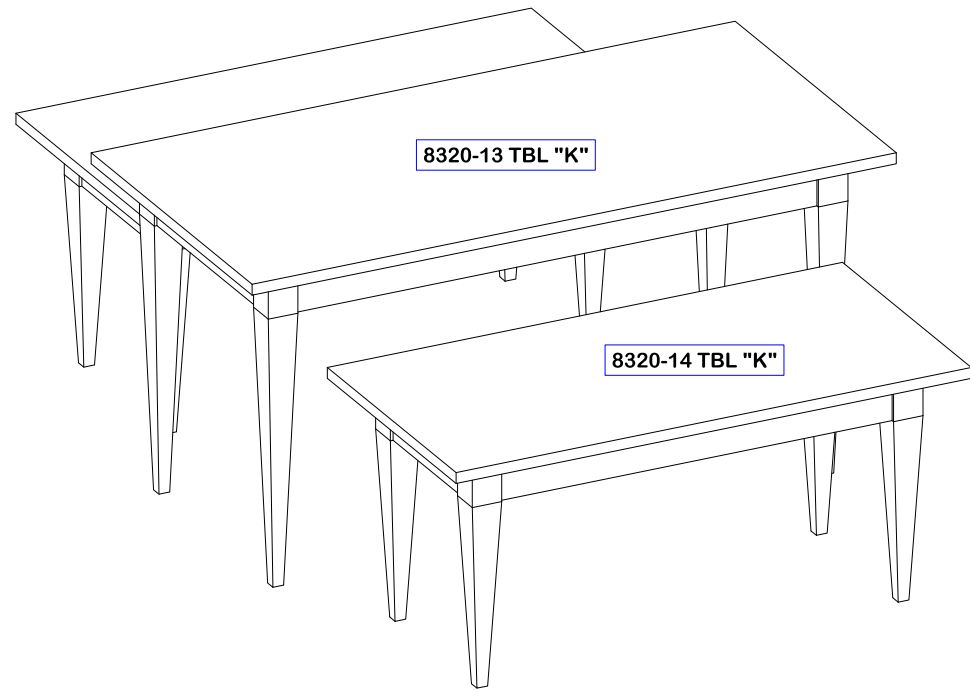
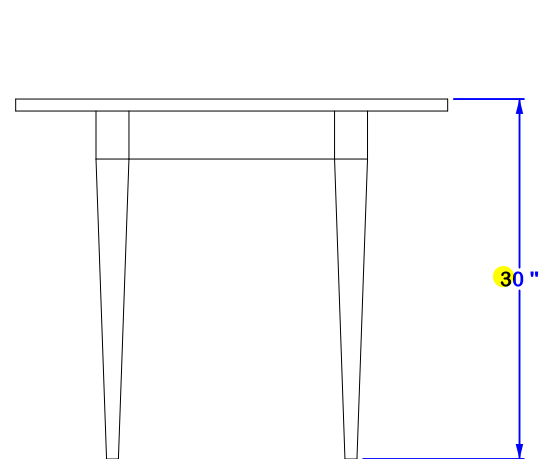
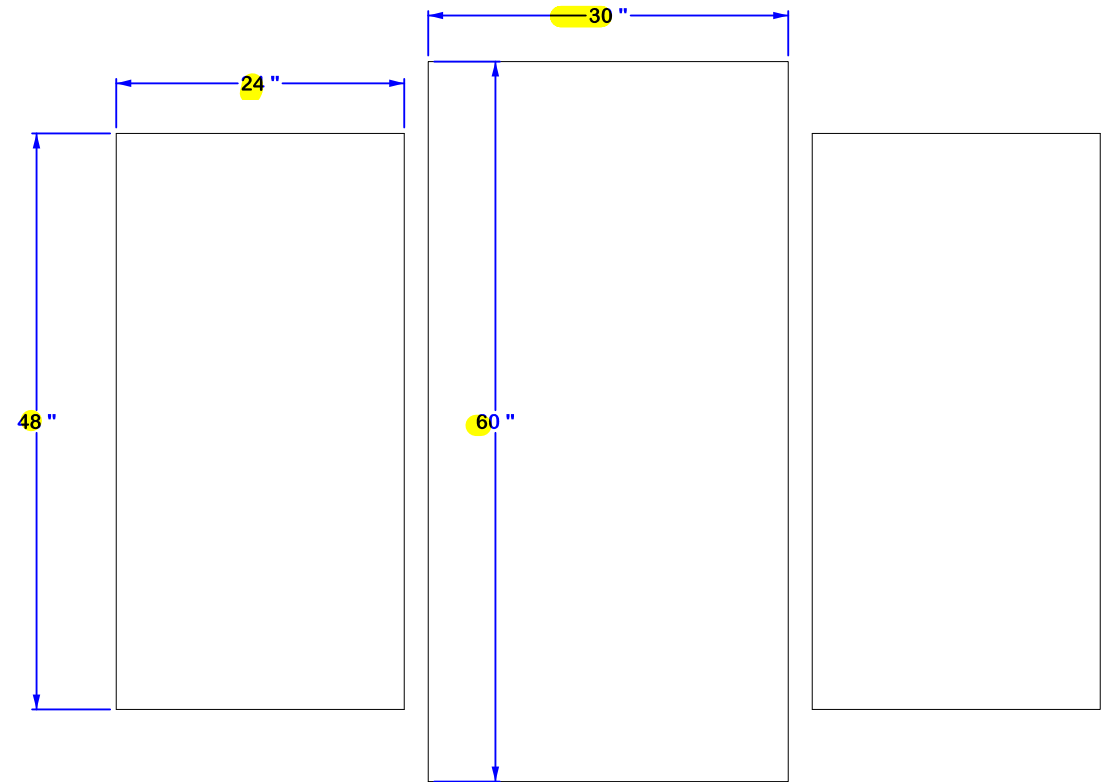
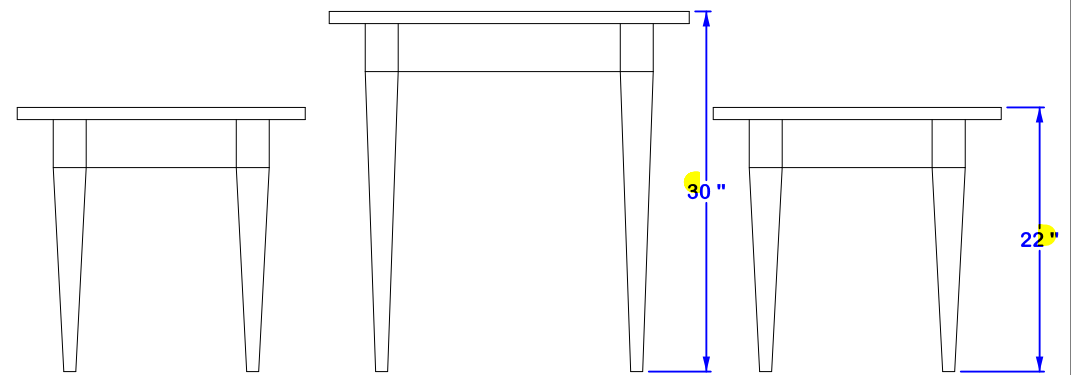
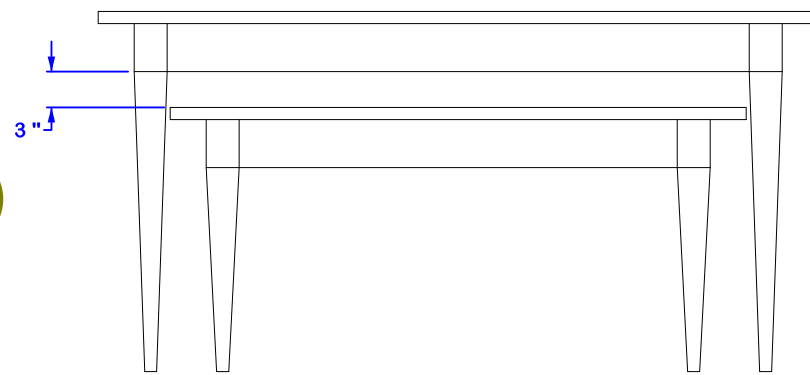
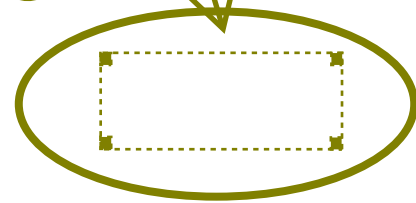
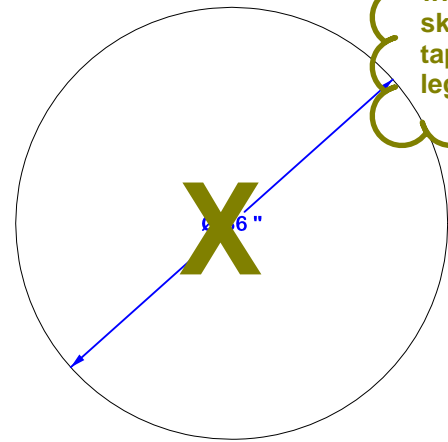
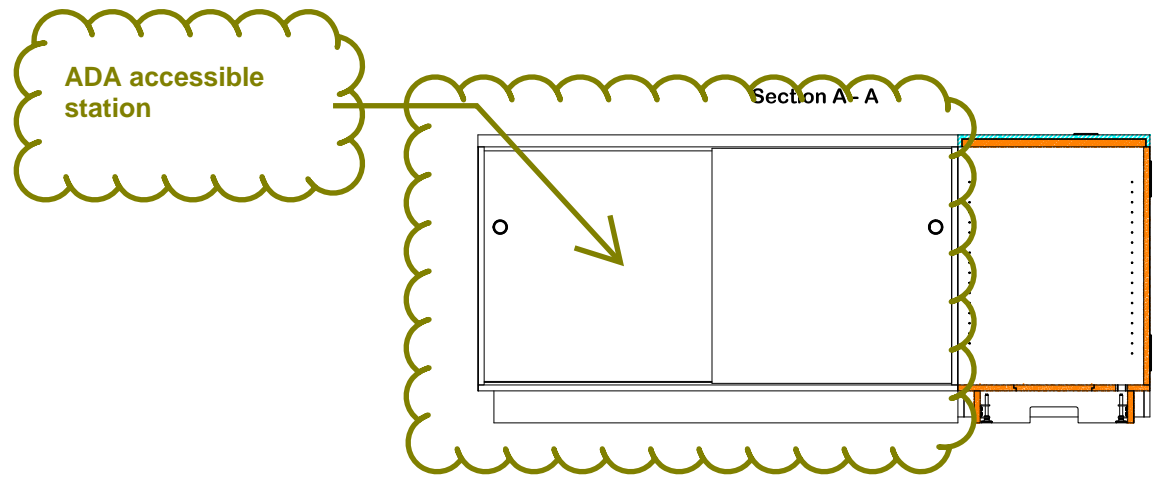


Table K to be Blossom Cherry.  
 Table Z to be Blossom Cherry, note plan shows elliptical shape and this is showing 36" round. Clarify.

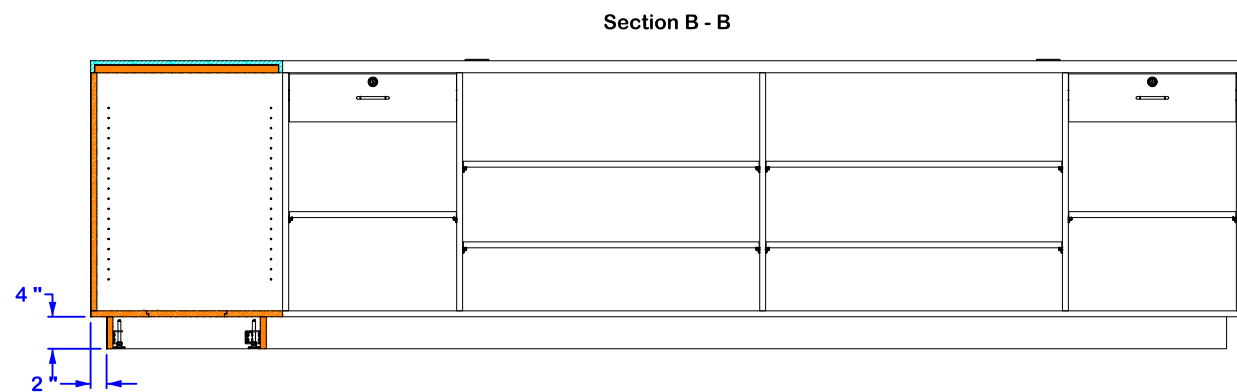
Elliptical table  
 30"x60"  
 with square skirt and tapered legs.



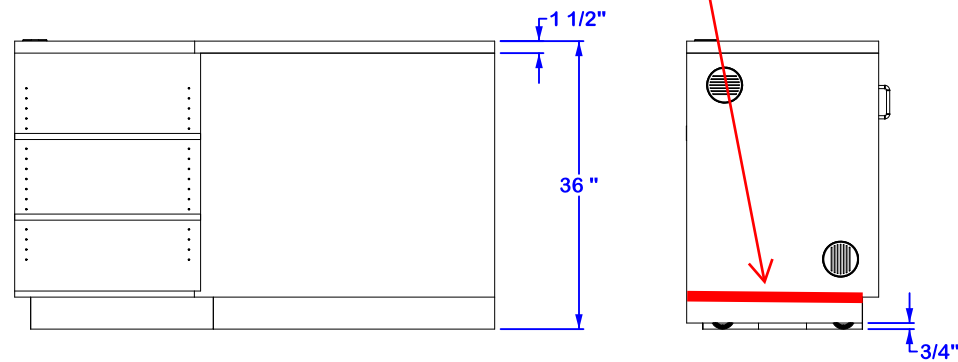
<b>franklin fixtures</b> <b>Franklin Fixtures, Inc.</b> 20 Patterson Brook Road West Wareham, MA 02576 (508) 291-1475 Voice (508) 291-3647 Fax info@franklinfixtures.com www.franklinfixtures.com	PROPRIETARY & CONFIDENTIAL. ©2009 Franklin Fixtures Inc. All Rights Reserved. The information contained in this drawing is the sole property of Franklin Fixtures, Inc. Any reproduction or transmission in whole or in part without the written permission of Franklin Fixtures, Inc. is strictly prohibited.			Drawn By: DNT 05/21/2010	<b>TITLE:</b> <b>Tapered Leg Tables</b>  Size <b>B</b> Scale: 1:16 <b>Tapered Leg Tables</b> <small>S:\Projects\Customers Name, Location, Project #\San Mateo Community</small>
	Material: TBD	Checked By:	Approved:	Released:	
	Finish:	3rd Angle Projection		Comments:	
	Project: College of San Mateo Project #8320	Wt: 39 lbs		Sheet 1/1	



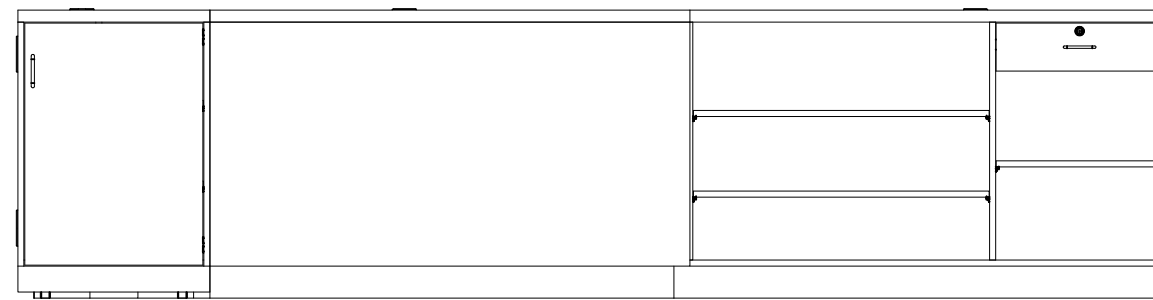
Provide ADA accessible desk here.



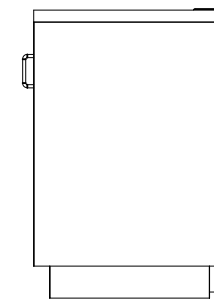
Reveal to continue base line of cabinet.



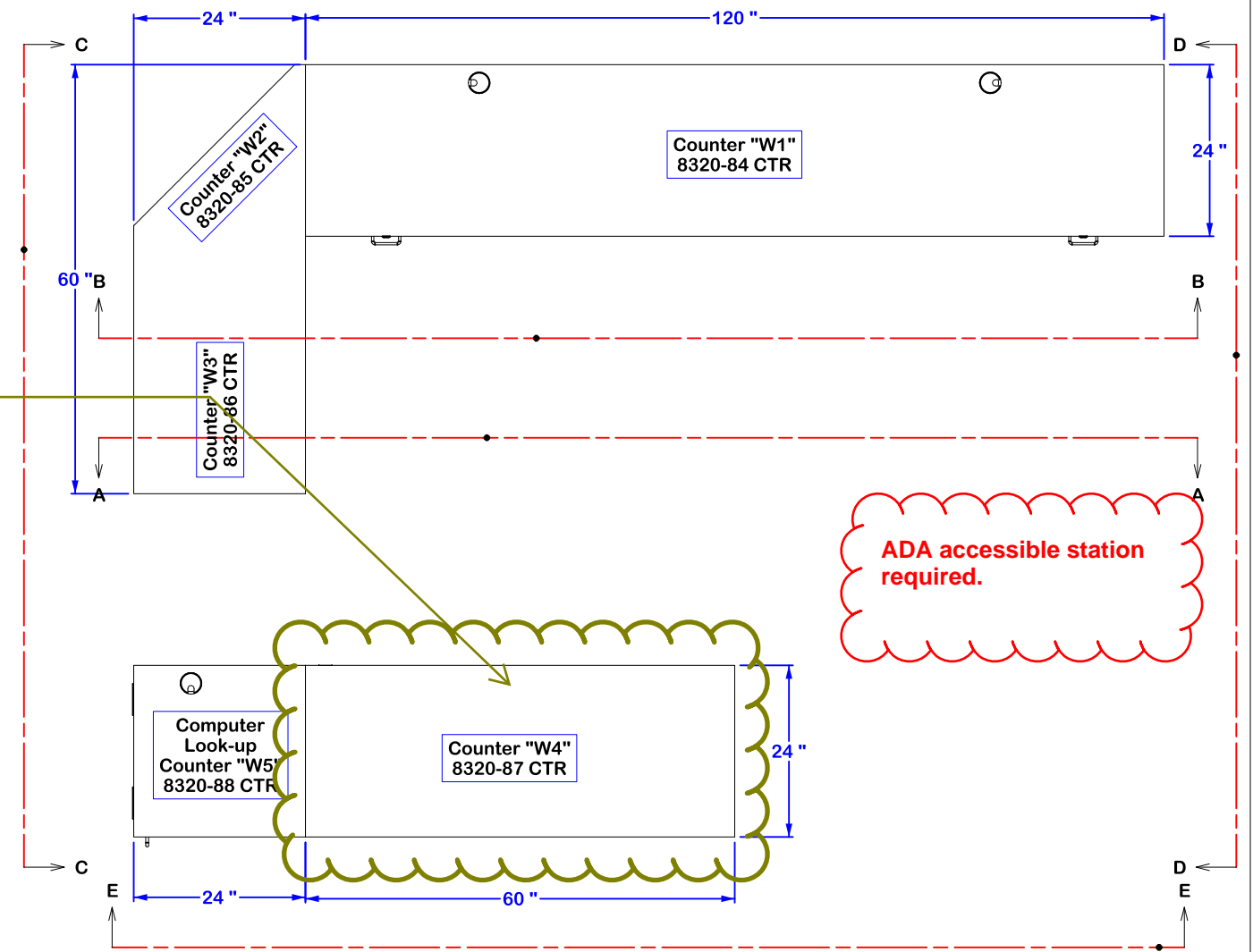
Elevation C - C



Elevation E - E



Elevation D - D



**franklin fixtures**  
**Franklin Fixtures, Inc.**  
 20 Patterson Brook Road  
 West Wareham, MA 02576  
 (508) 291-1475 Voice  
 (508) 291-3647 Fax  
 info@franklinfixtures.com  
 www.franklinfixtures.com

PROPRIETARY & CONFIDENTIAL. ©2009 Franklin Fixtures Inc. All Rights Reserved. The information contained in this drawing is the sole property of Franklin Fixtures, Inc. Any reproduction or transmission in whole or in part without the written permission of Franklin Fixtures, Inc. is strictly prohibited.

Material **Black Melamine Interior**  
**TBD Cherry Exterior UON**

Finish  
 Project **College of San Mateo**  
**Project #8320**

Drawn By: DNT 05/20/2010  
 Checked By:  
 Approved:  
 Released:

3rd Angle Projection

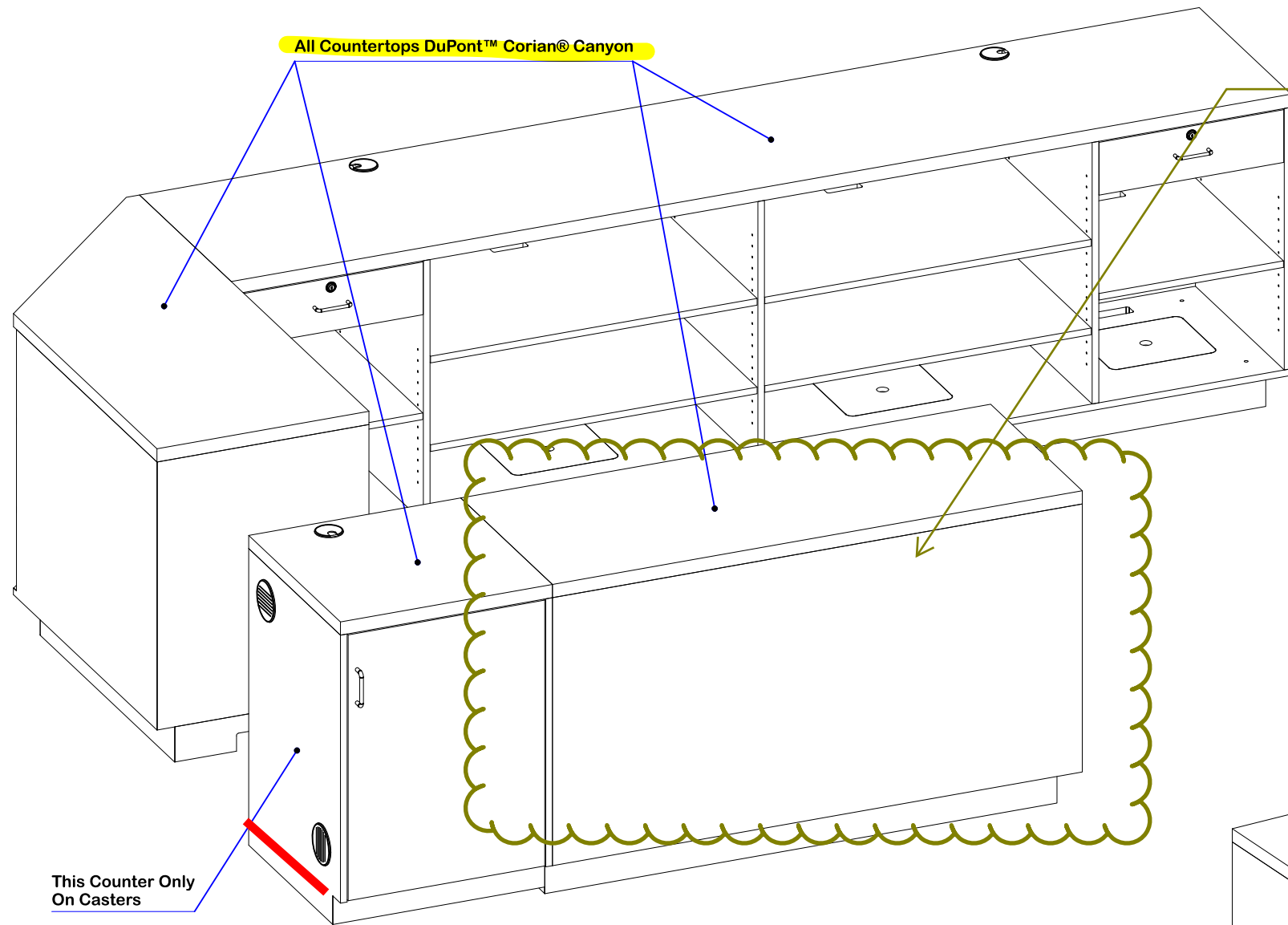
Comments

TITLE:  
**Text Counter Installation**

Size **B** Scale: 1:24

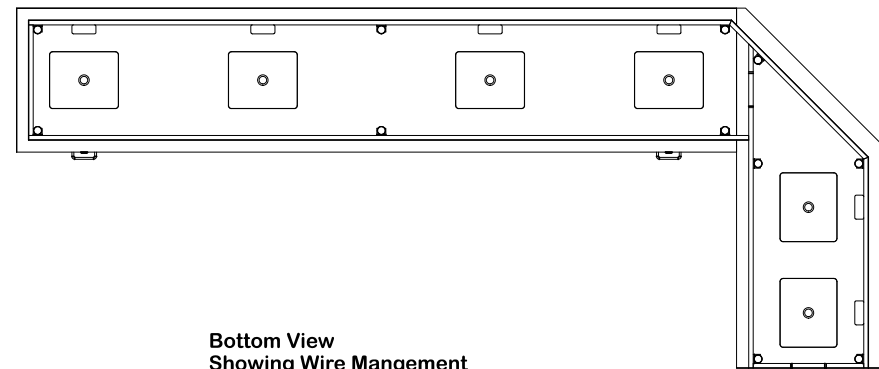
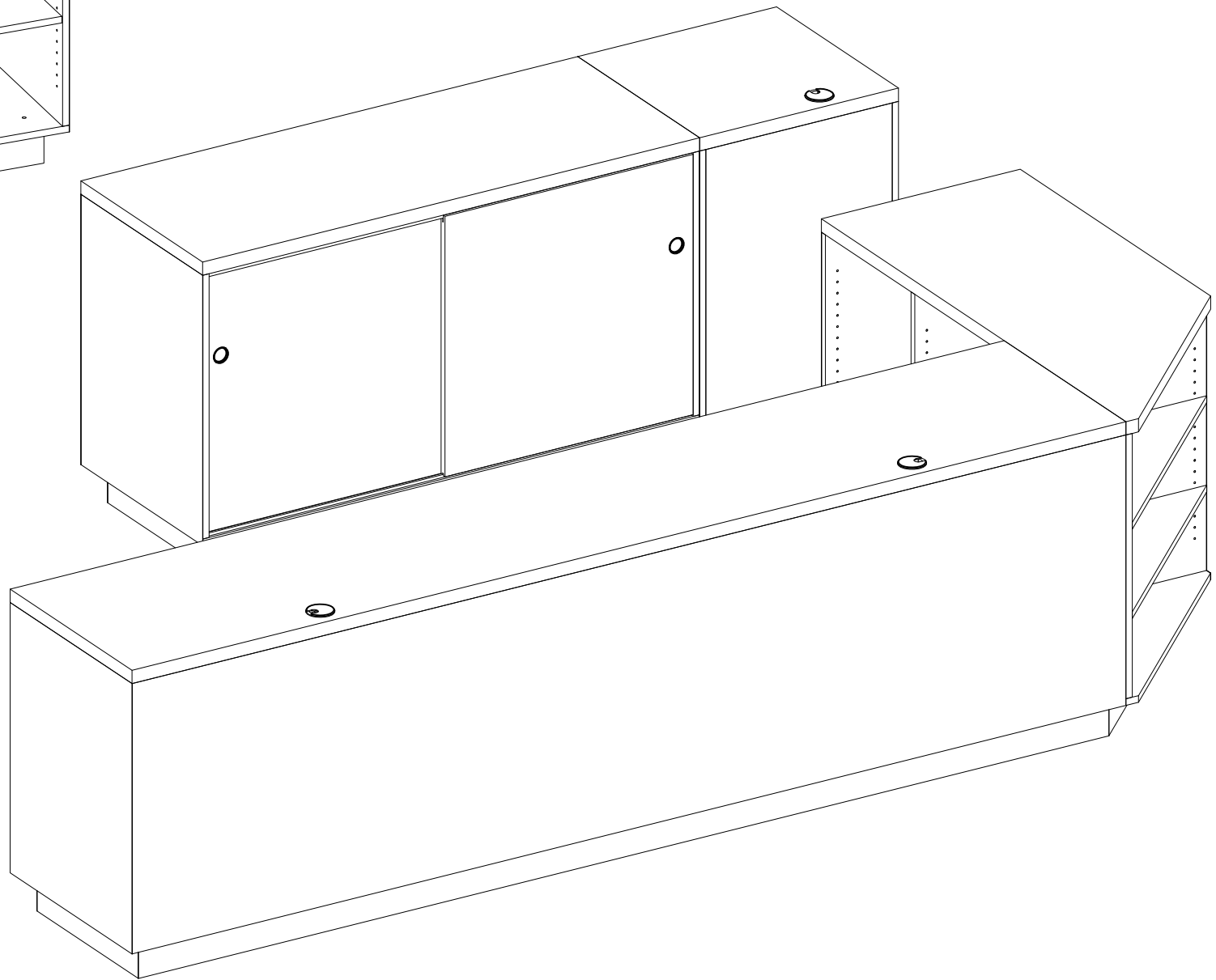
Text Counter Installation

Wt: 1011 lbs Sheet 1/3

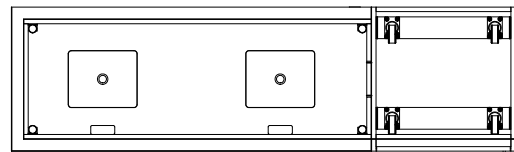


ADA Accessible

This Counter Only On Casters



Bottom View Showing Wire Mangement



**franklin fixtures**  
**Franklin Fixtures, Inc.**  
 20 Patterson Brook Road  
 West Wareham, MA 02576  
 (508) 291-1475 Voice  
 (508) 291-3647 Fax  
 info@franklinfixtures.com  
 www.franklinfixtures.com

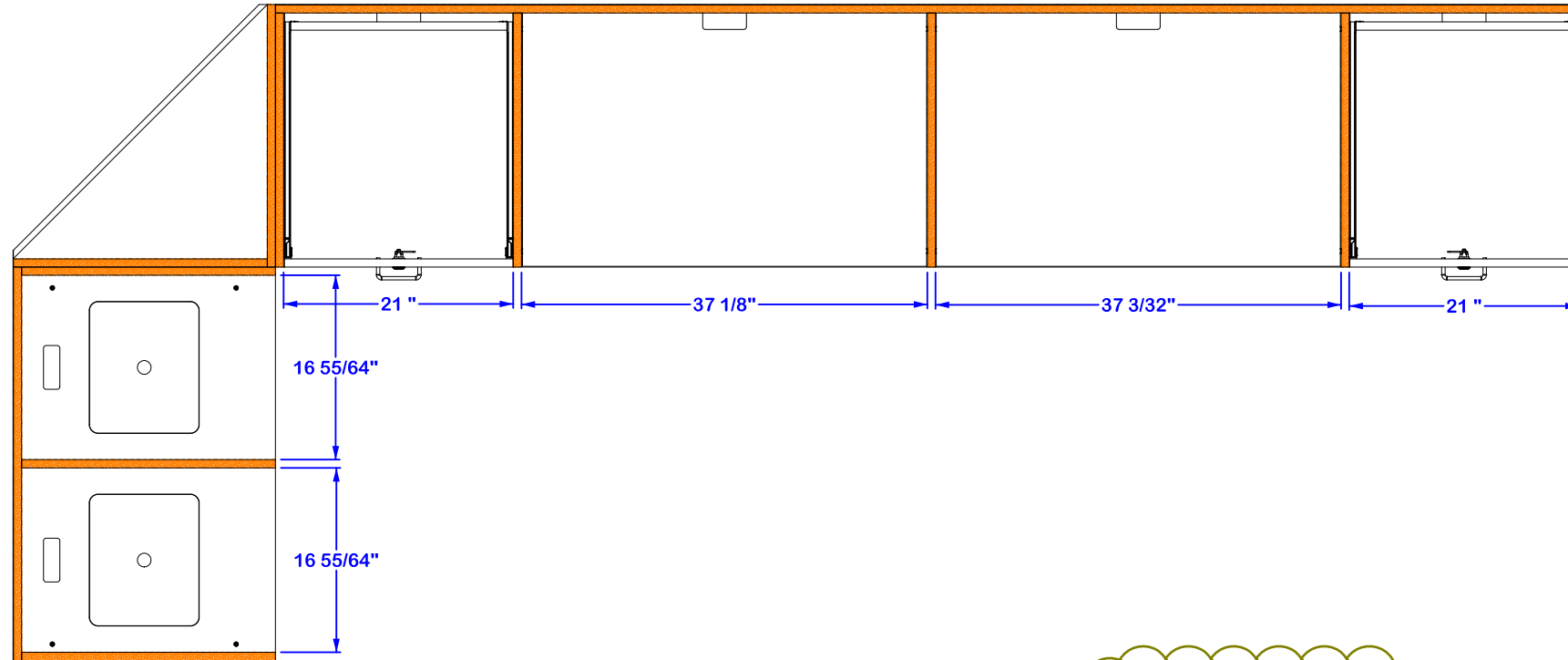
PROPRIETARY & CONFIDENTIAL. ©2009 Franklin Fixtures Inc. All Rights Reserved. The information contained in this drawing is the sole property of Franklin Fixtures, Inc. Any reproduction or transmission in whole or in part without the written permission of Franklin Fixtures, Inc. is strictly prohibited.

Material	Black Melamine Interior TBD Cherry Exterior UON
Finish	
Project	College of San Mateo Project #8320

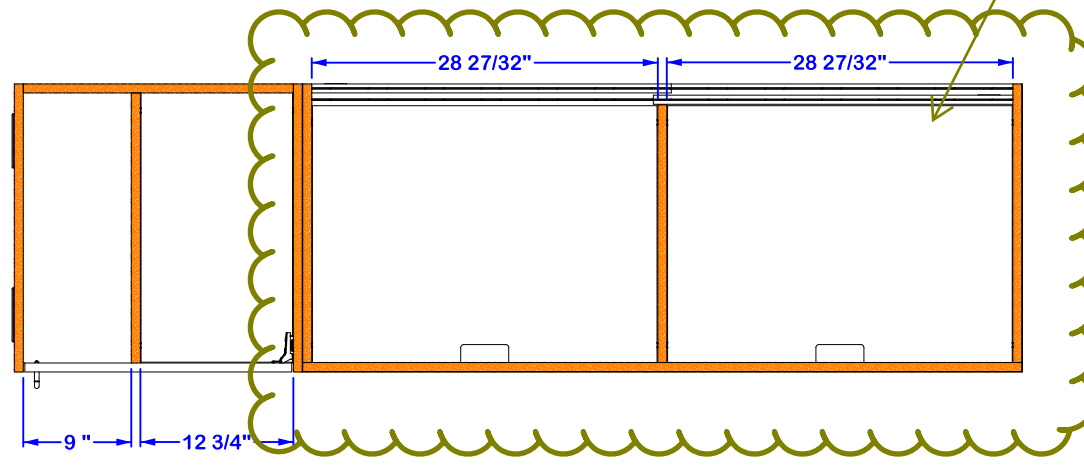
Drawn By:	DNT	05/20/2010
Checked By:		
Approved:		
Released:		
3rd Angle Projection		
Comments		

TITLE: Text Counter Installation	
Size B	Scale: 1:16
Text Counter Installation S:\Projects\Customers Name, Location, Project#\San Mateo Community	
Wt: 1011 lbs	Sheet 2/3

Plan View w/ Countertops Removed

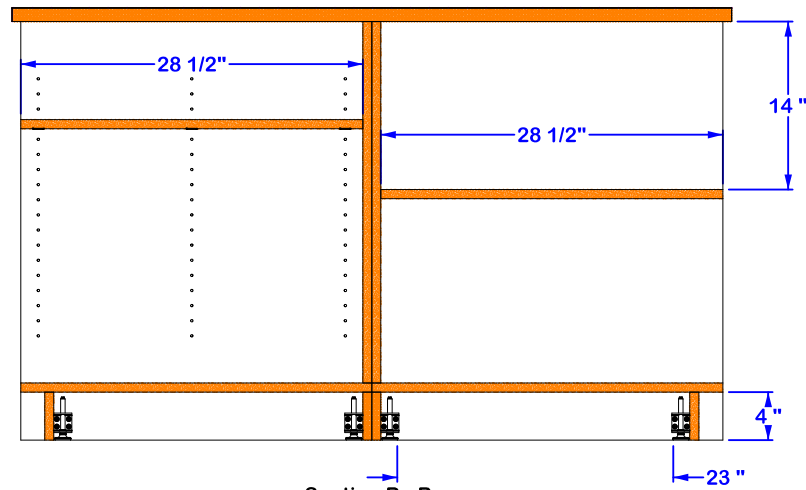


ADA Accessible.

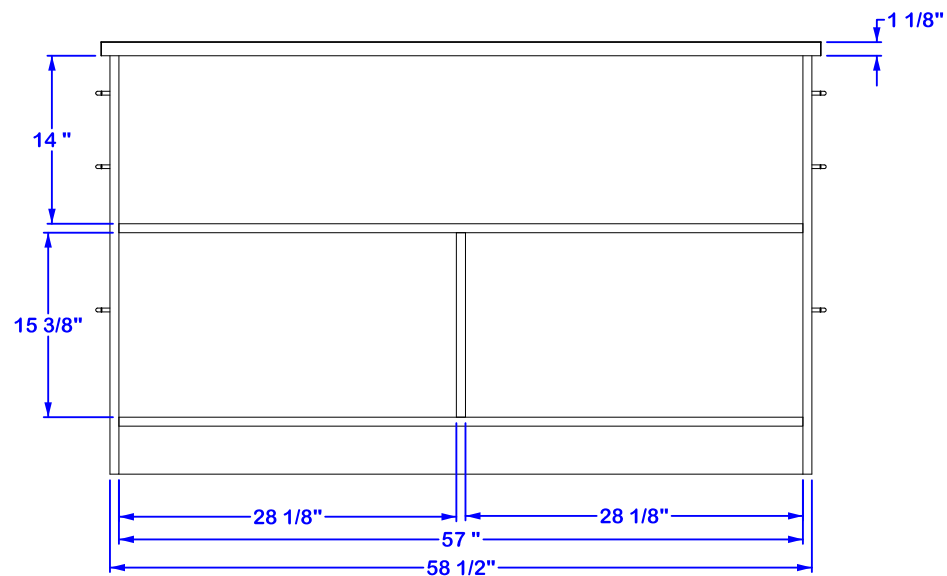
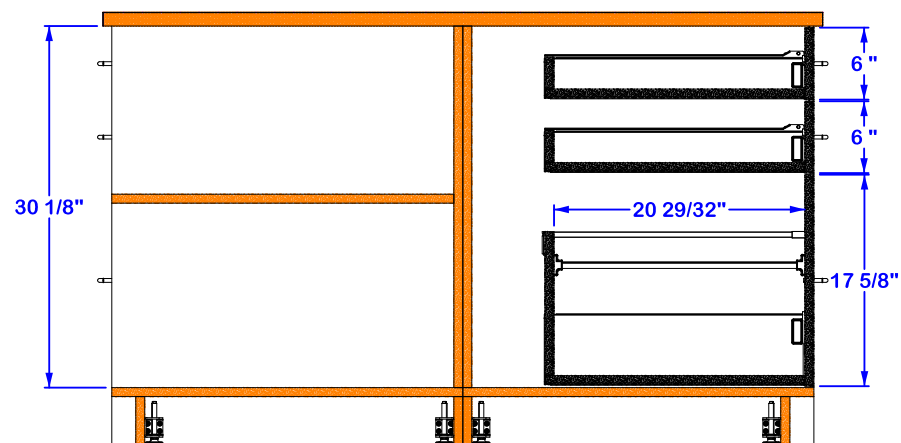


<b>franklin fixtures</b> <b>Franklin Fixtures, Inc.</b> 20 Patterson Brook Road West Wareham, MA 02576 (508) 291-1475 Voice (508) 291-3647 Fax info@franklinfixtures.com www.franklinfixtures.com	PROPRIETARY & CONFIDENTIAL. ©2009 Franklin Fixtures Inc. All Rights Reserved. The information contained in this drawing is the sole property of Franklin Fixtures, Inc. Any reproduction or transmission in whole or in part without the written permission of Franklin Fixtures, Inc. is strictly prohibited.			Drawn By: DNT 05/20/2010	TITLE: <b>Text Counter Installation</b>	
	Material <b>Black Melamine Interior</b> <b>TBD Cherry Exterior UON</b>	Checked By:	Approved:	Released:		
	Finish	3rd Angle Projection		Size <b>B</b>		Scale: 1:16
	Project <b>College of San Mateo</b> <b>Project #8320</b>	Comments		Text Counter Installation S:\Projects\Customers Name, Location, Project #\San Mateo Community		Wt: 1011 lbs Sheet 3/3

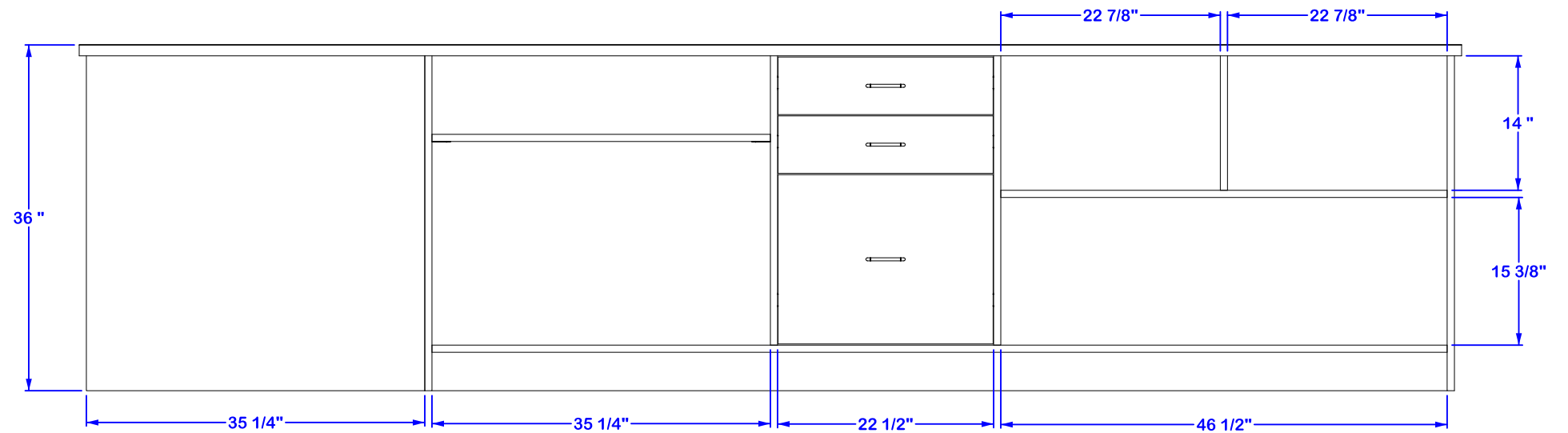
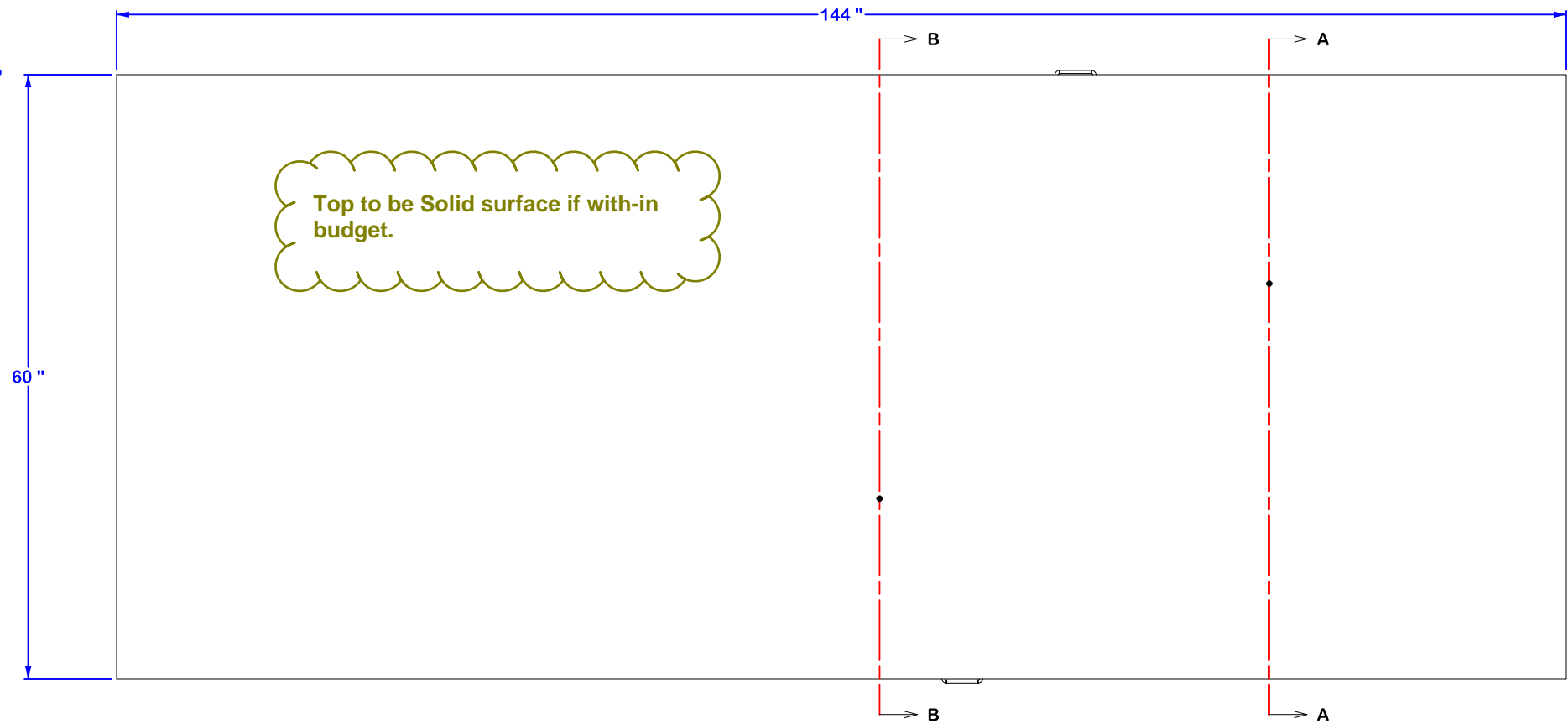
Section A - A



Section B - B



Top to be Solid surface if with-in budget.



**franklin fixtures**  
**Franklin Fixtures, Inc.**  
 20 Patterson Brook Road  
 West Wareham, MA 02576  
 (508) 291-1475 Voice  
 (508) 291-3647 Fax  
 info@franklinfixtures.com  
 www.franklinfixtures.com

PROPRIETARY & CONFIDENTIAL. ©2009 Franklin Fixtures Inc. All Rights Reserved. The information contained in this drawing is the sole property of Franklin Fixtures, Inc. Any reproduction or transmission in whole or in part without the written permission of Franklin Fixtures, Inc. is strictly prohibited.

Material: **Black Melamine UON**

Finish: **3rd Angle Projection**

Project: **College of San Mateo Project #8320**

Drawn By: DNT 05/20/2010

Checked By:

Approved:

Released:

3rd Angle Projection

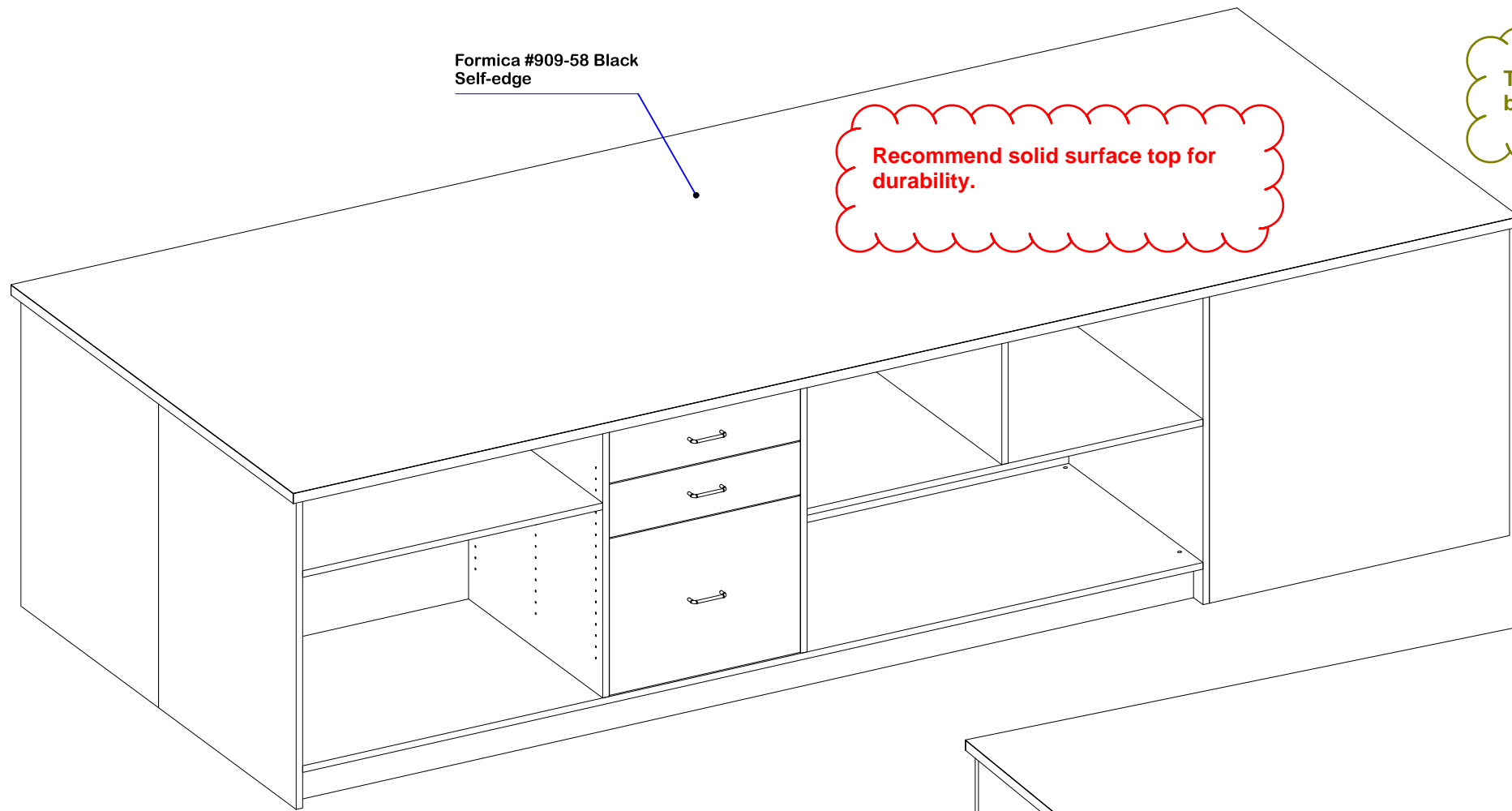
Comments

TITLE: **Text Receiving Counter 8320-89 CTR**

Size **B** Scale: 1:16

Text Receiving Counter Installation  
 S:\Projects\Customers Name, Location, Project #San Mateo Community

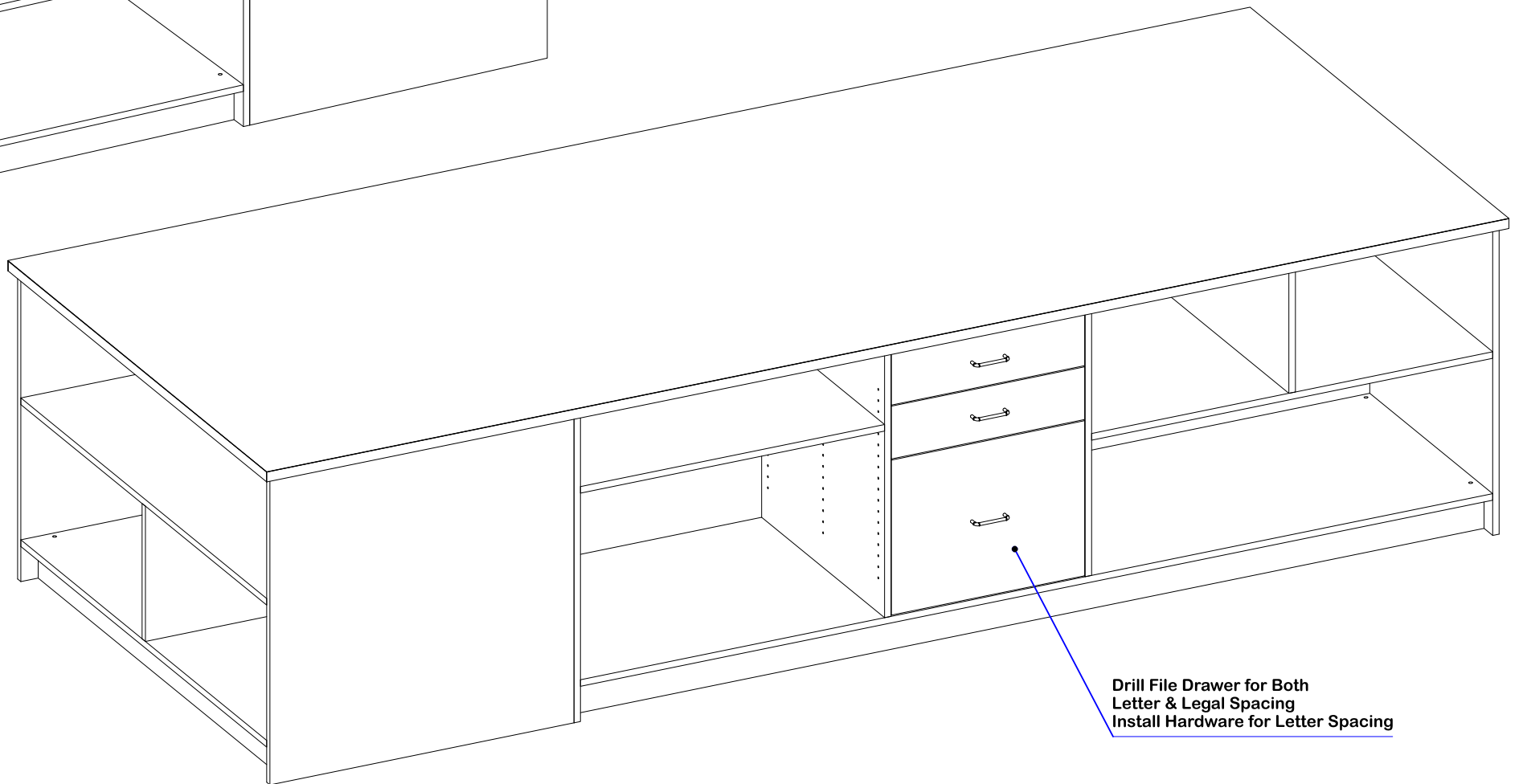
Wt: 1041 lbs Sheet 1/2



Formica #909-58 Black  
Self-edge

Recommend solid surface top for durability.

Top to be Solid surface if with-in budget.



Drill File Drawer for Both  
Letter & Legal Spacing  
Install Hardware for Letter Spacing

<b>franklin fixtures</b> <b>Franklin Fixtures, Inc.</b> 20 Patterson Brook Road West Wareham, MA 02576 (508) 291-1475 Voice (508) 291-3647 Fax info@franklinfixtures.com www.franklinfixtures.com	PROPRIETARY & CONFIDENTIAL. ©2009 Franklin Fixtures Inc. All Rights Reserved. The information contained in this drawing is the sole property of Franklin Fixtures, Inc. Any reproduction or transmission in whole or in part without the written permission of Franklin Fixtures, Inc. is strictly prohibited.			Drawn By: DNT 05/20/2010	TITLE: <b>Text Receiving Counter          8320-89 CTR</b>
	Material <b>Black Melamine UON</b>	Checked By:	Approved:	Released:	Size <b>B</b> Scale: 1:16
	Finish	3rd Angle Projection			Text Receiving Counter Installation <small>S:\Projects\Customers Name, Location, Project #\San Mateo Community</small>
	Project <b>College of San Mateo          Project #8320</b>	Comments	Wt: 1041 lbs	Sheet 2/2	