



IDENTIFICATION STAMP
 DIV. OF THE STATE ARCHITECT
 OFFICE OF REGULATION SERVICE
 APPL. #: 01-110097
 AC: _____ FLS: DMM SS: DMM
 DATE: APR 09 2009
 FILE NUMBER: 41-C1

This set of other project documents and all ideas, aesthetic and design incorporated herein are the property of LPA, Inc. All project documents are the registered property of LPA, Inc. (LPA) and cannot be copied, used, or reproduced in any project or program except as described in the contractor agreement between LPA and Client. LPA hereby gives notice that any use of project documents, including reproduction or modification, without the written consent of LPA, Inc. is strictly prohibited. LPA and its affiliates shall not be held liable for any errors or omissions in these documents, or for any consequences arising from the use of these documents, or for any consequences arising from the use of these documents, or for any consequences arising from the use of these documents.

Project documents describe design intent of work and are not a representation of or a substitute for construction. LPA and its affiliates shall not be held liable for any errors or omissions in these documents, or for any consequences arising from the use of these documents, or for any consequences arising from the use of these documents.

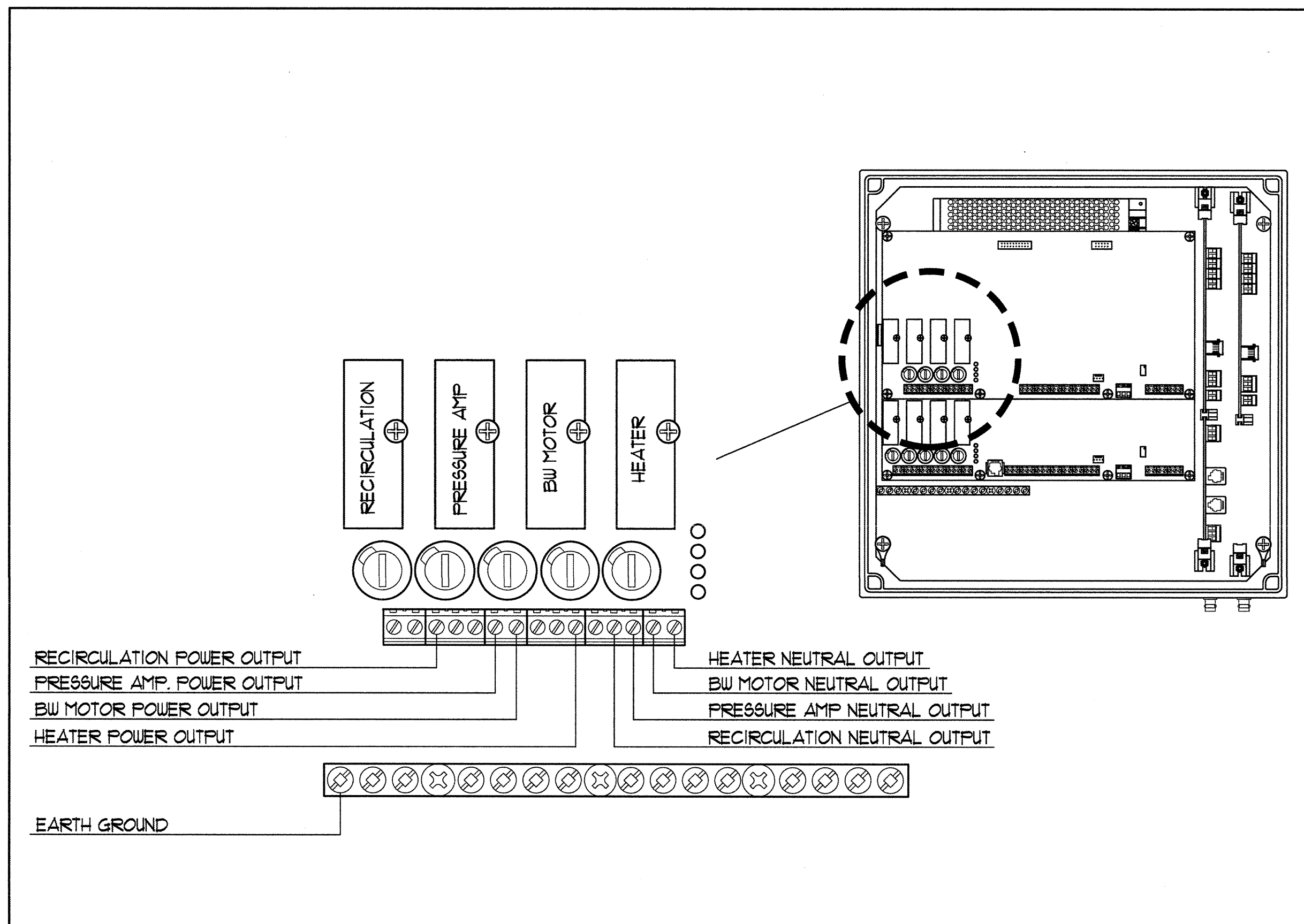
© Copyright 2008

College of San Mateo
 Site Package
 San Mateo, CA
 Developed for
 San Mateo County Community College District

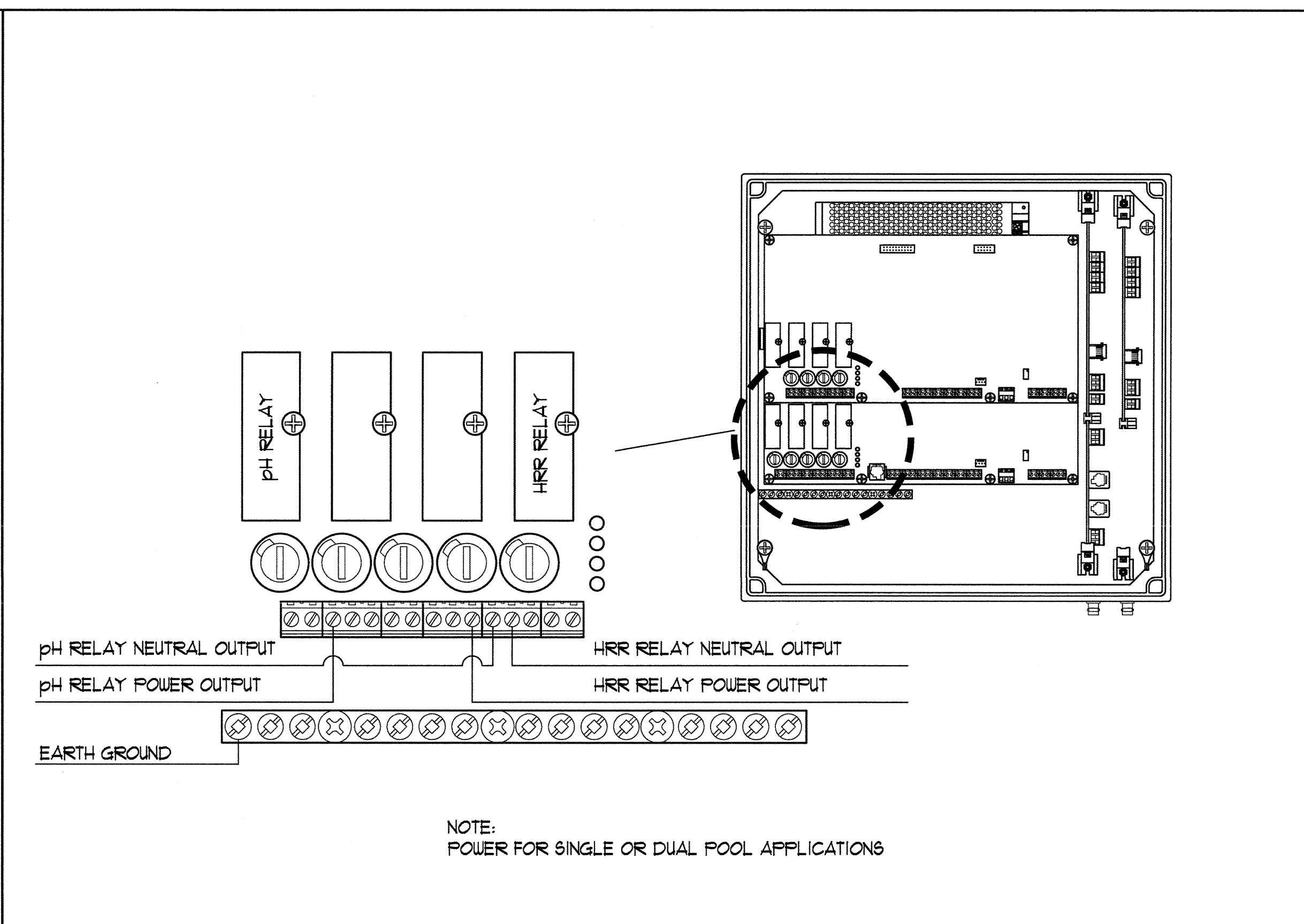
Date:	
Revision:	
Description:	

Date:	19 SEPT 2008
Revision:	DSA SUBMITTAL
Description:	09 APRIL 2009
Revision:	DSA FINAL

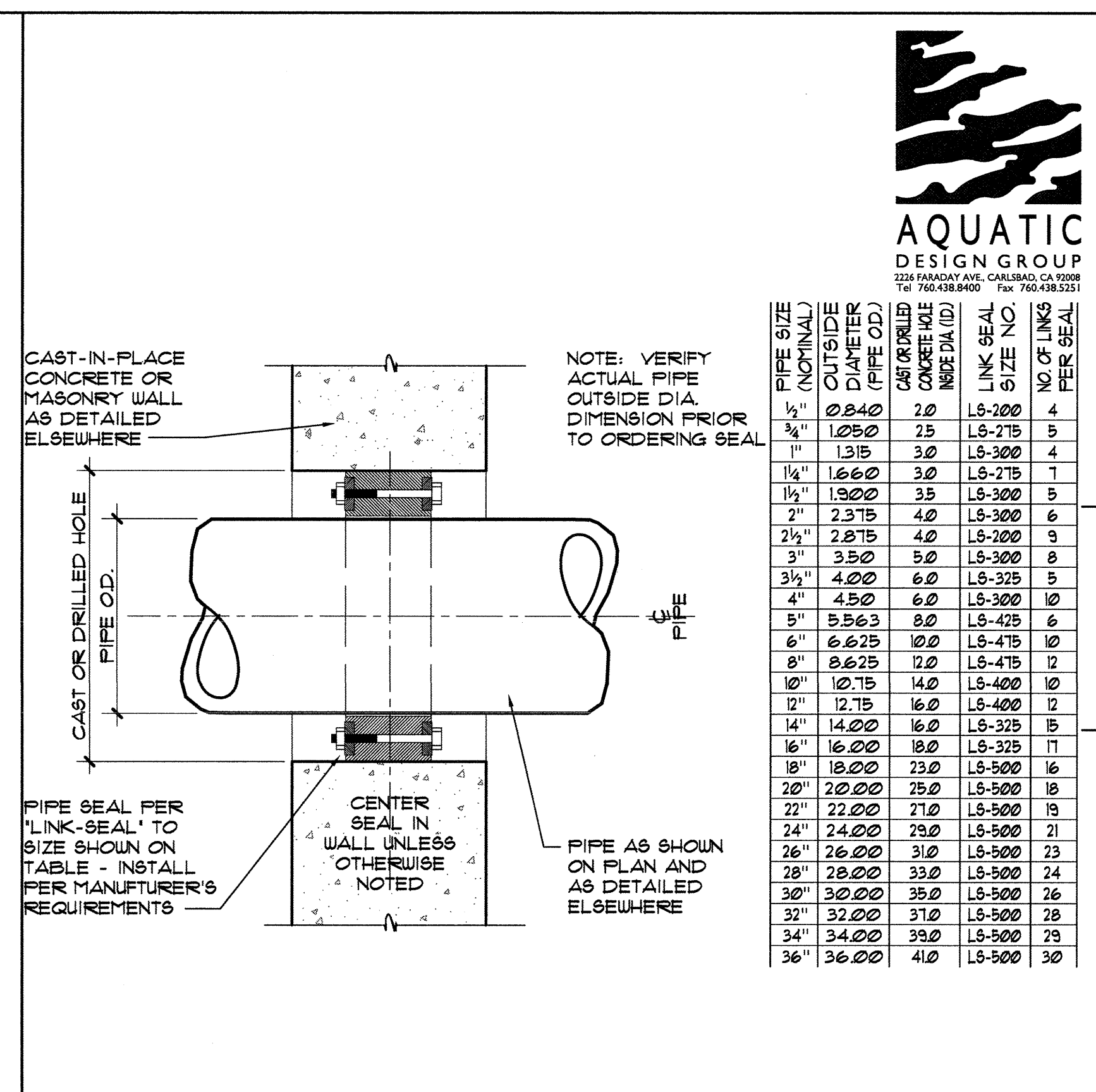
Job No.:	27082-30
Date:	09 APRIL 2009
Drawn by:	NFC
Checked by:	SJF
Scale:	AS NOTED



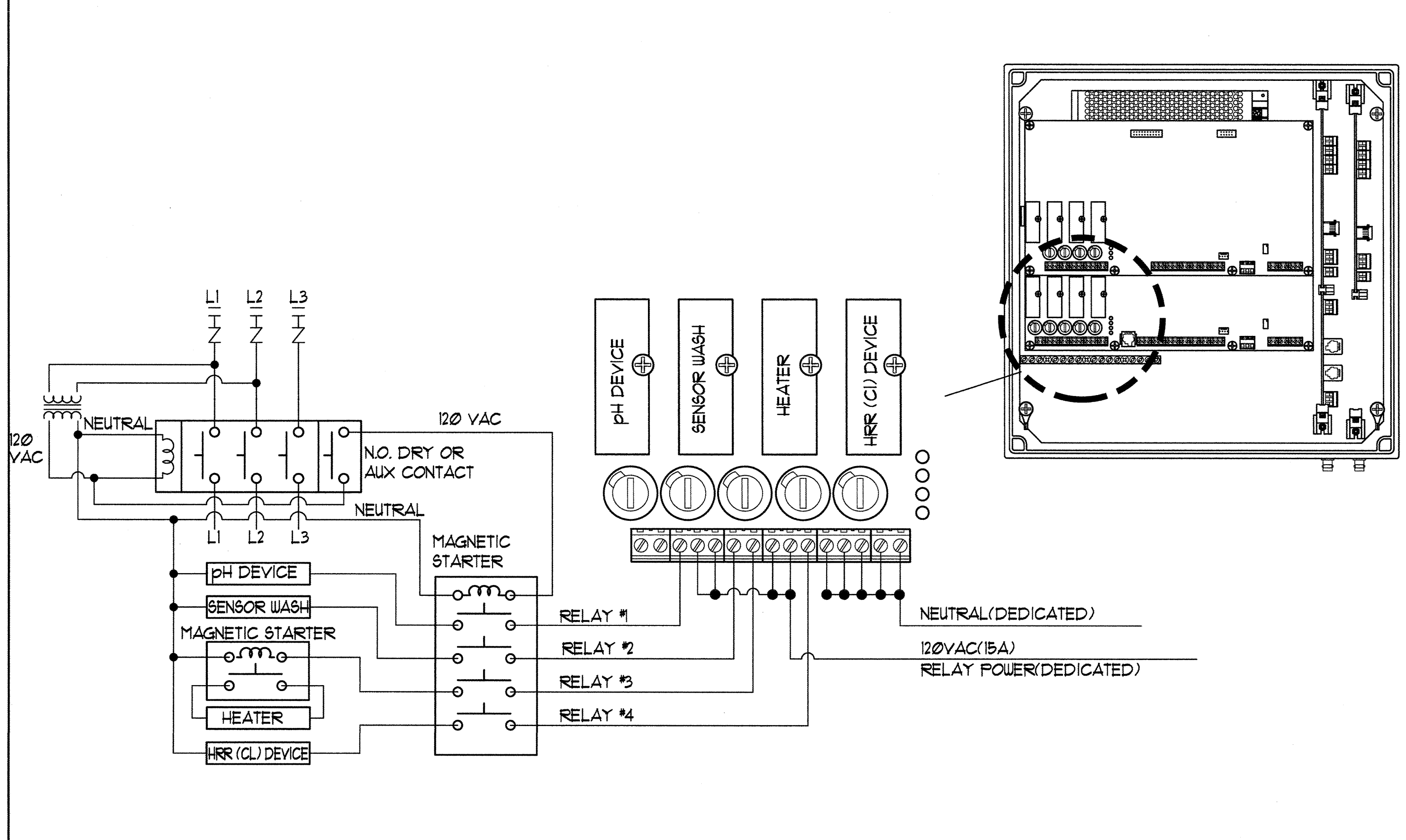
1 CHEMTROL FILTER RELAY OUTPUTS NO SCALE



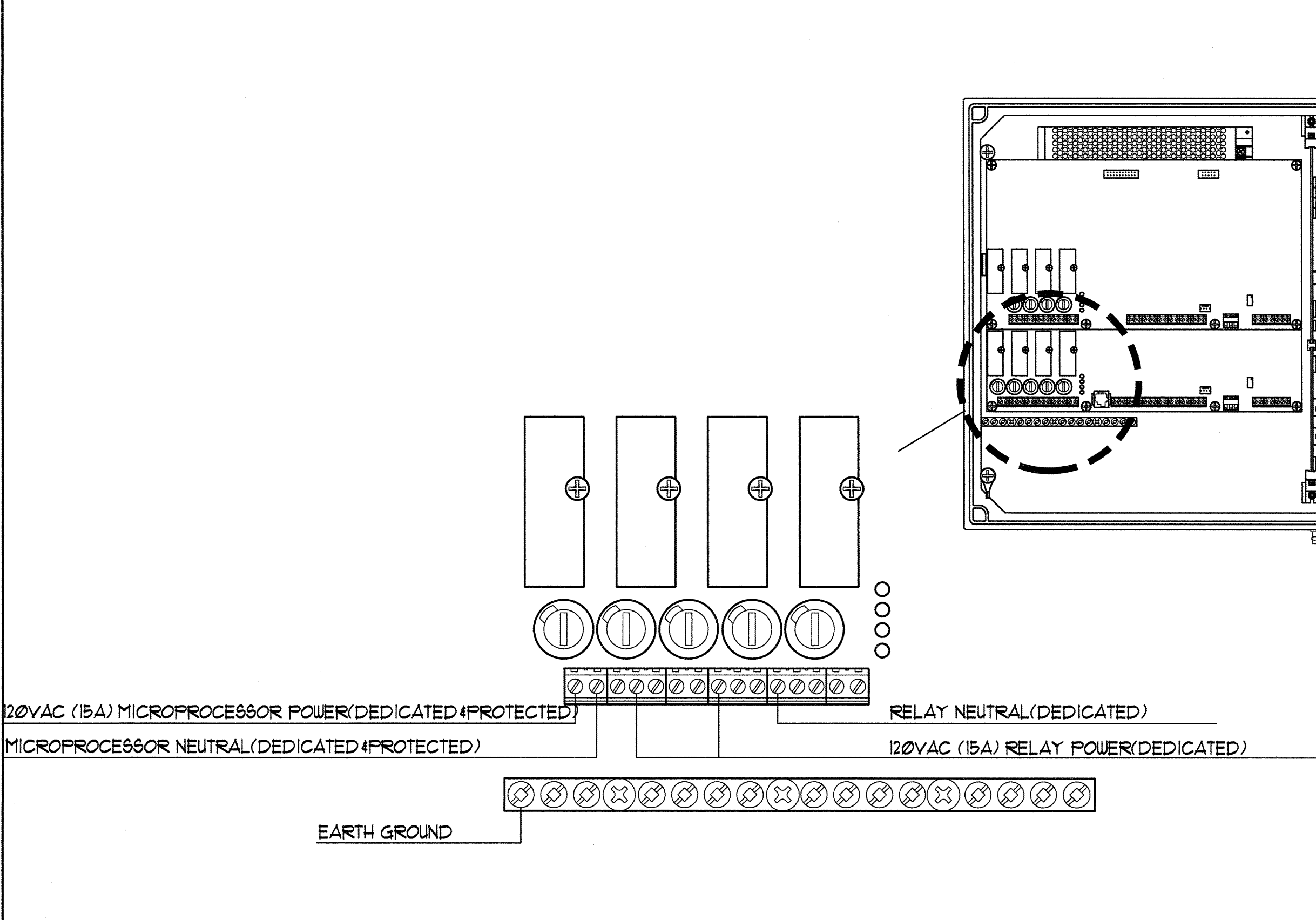
2 CHEMTROL RELAY OUTPUT NO SCALE



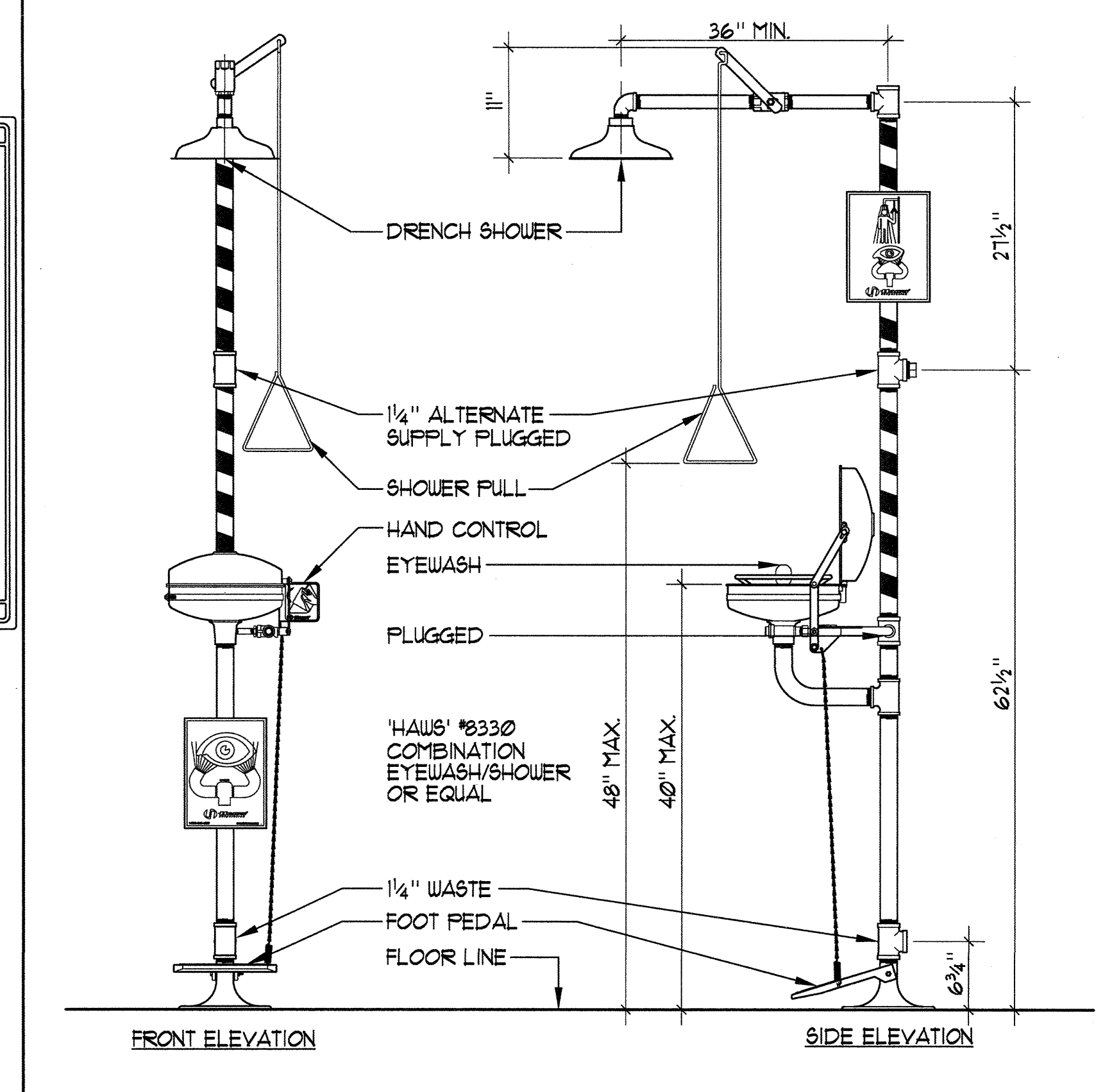
5 PIPE SEAL TO WALL / FLOOR NO SCALE



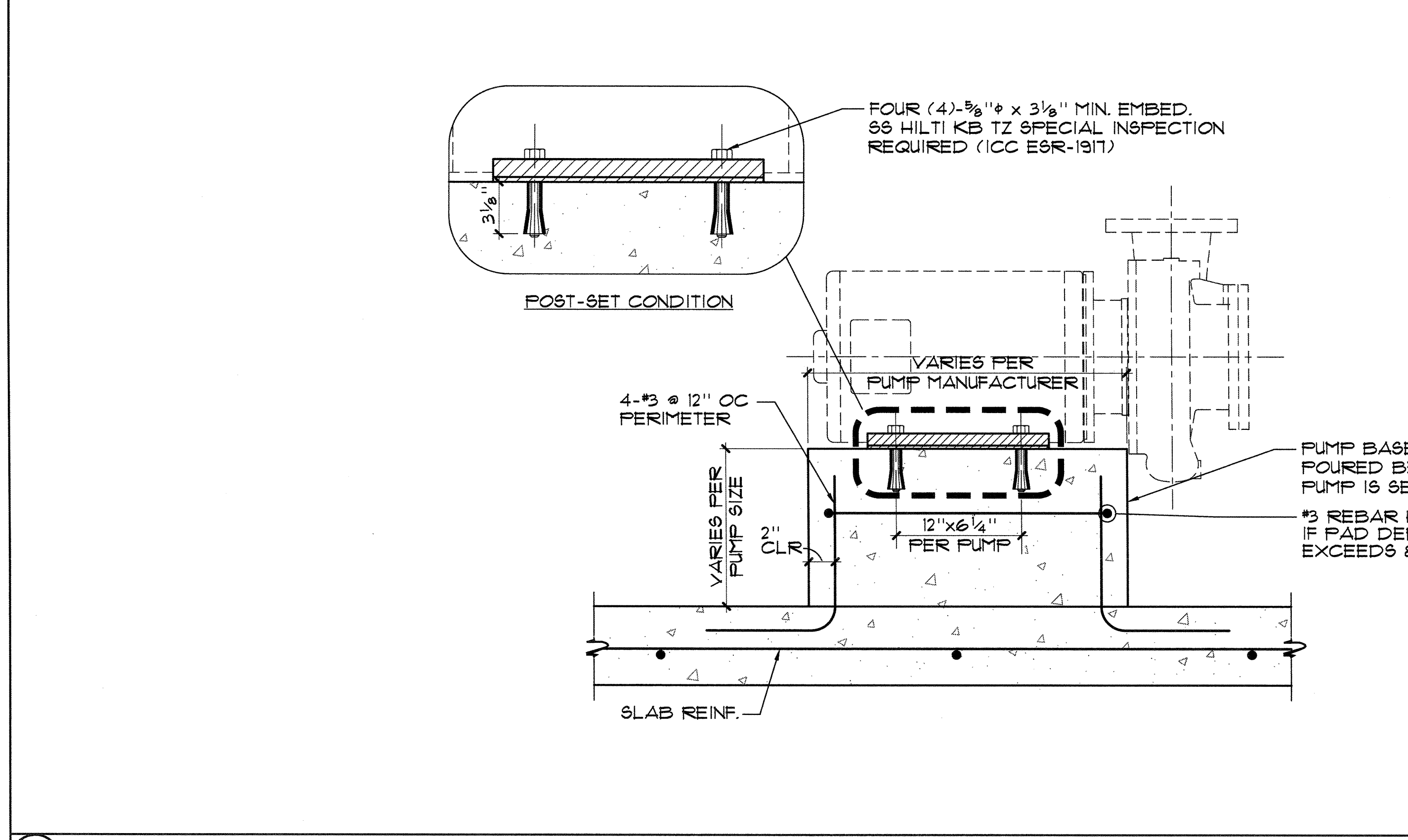
3 CHEMTROL INTERLOCK NO SCALE



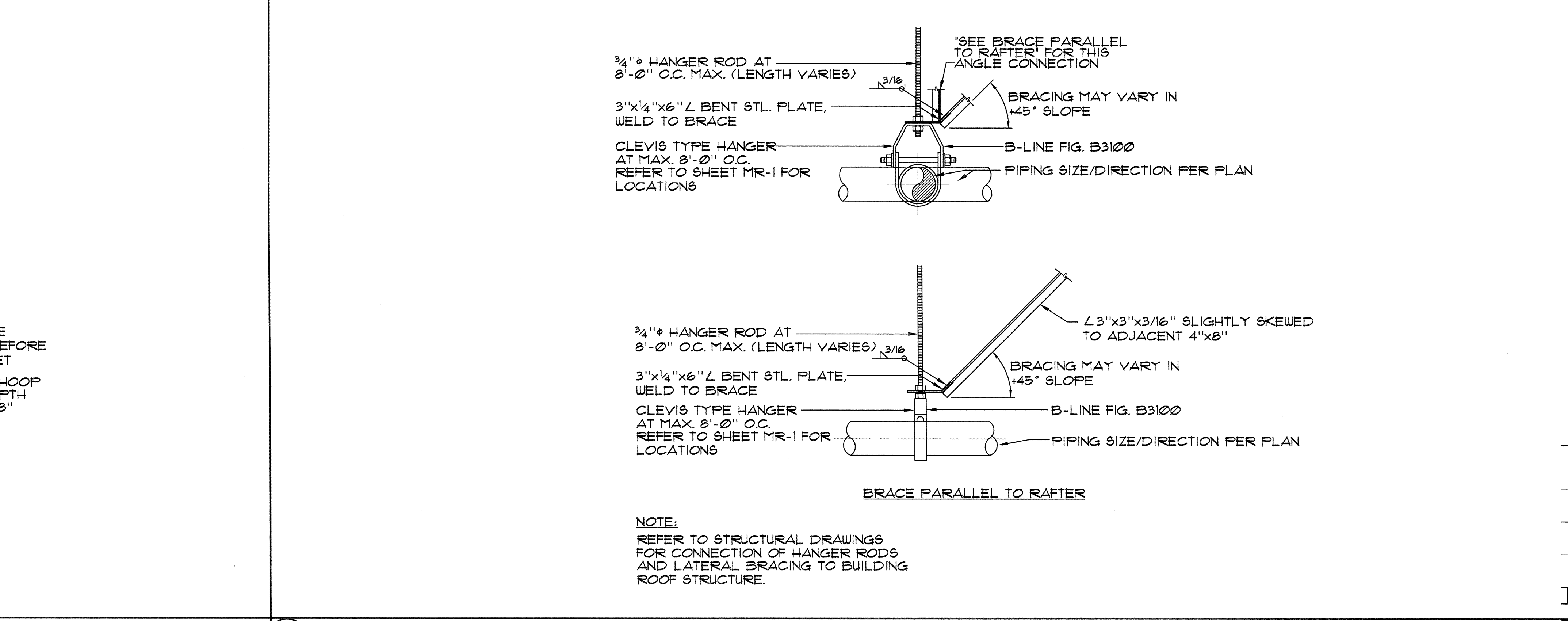
4 CHEMTROL INPUT POWER NO SCALE



6 EMERGENCY EYEWASH/SHOWER NO SCALE



7 PUMP ANCHORAGE NO SCALE



8 PIPING HANGER DETAIL NO SCALE