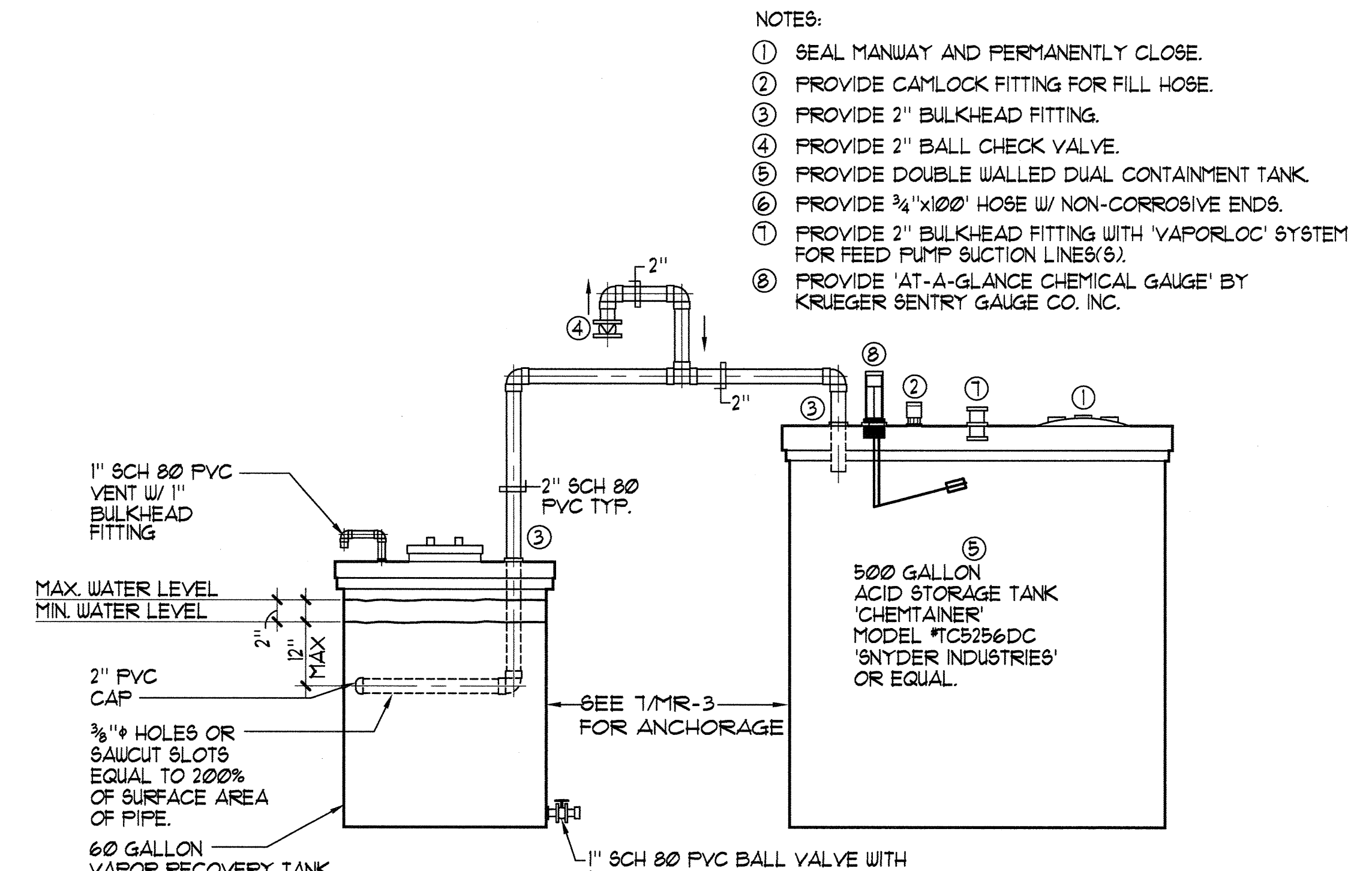
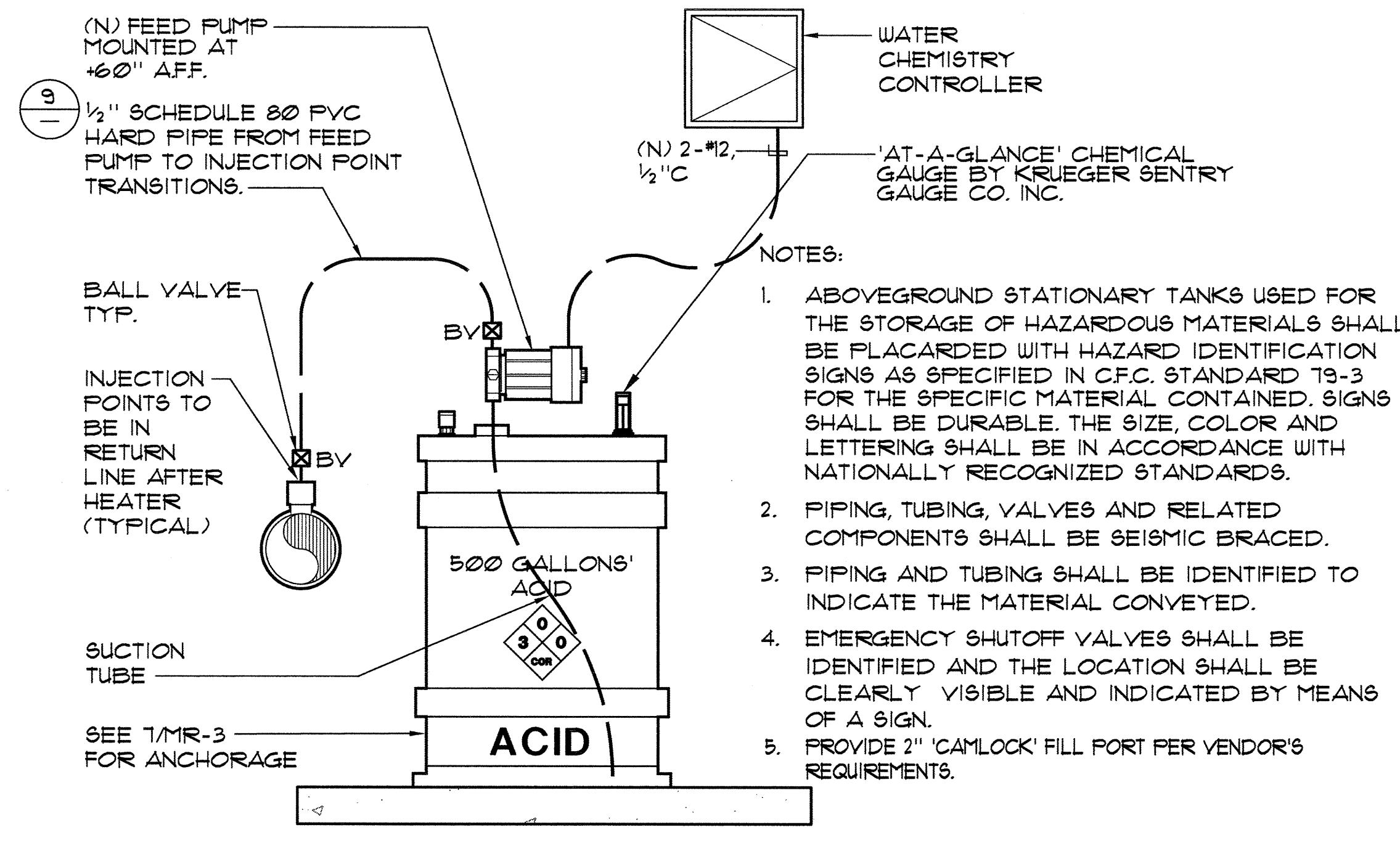
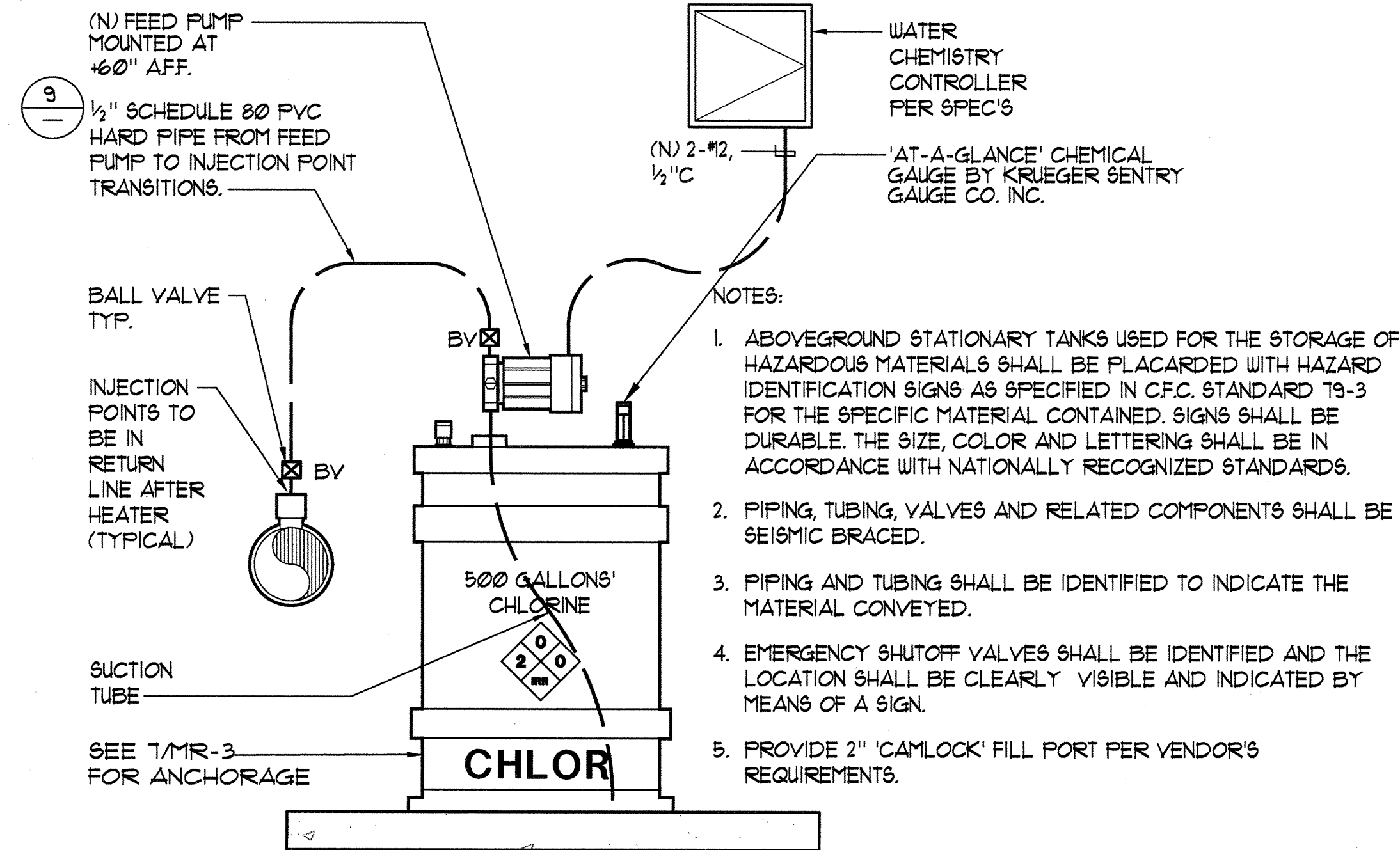


1 FILTER ANCHORAGE NO SCALE

2 HEATER ANCHORAGE NO SCALE

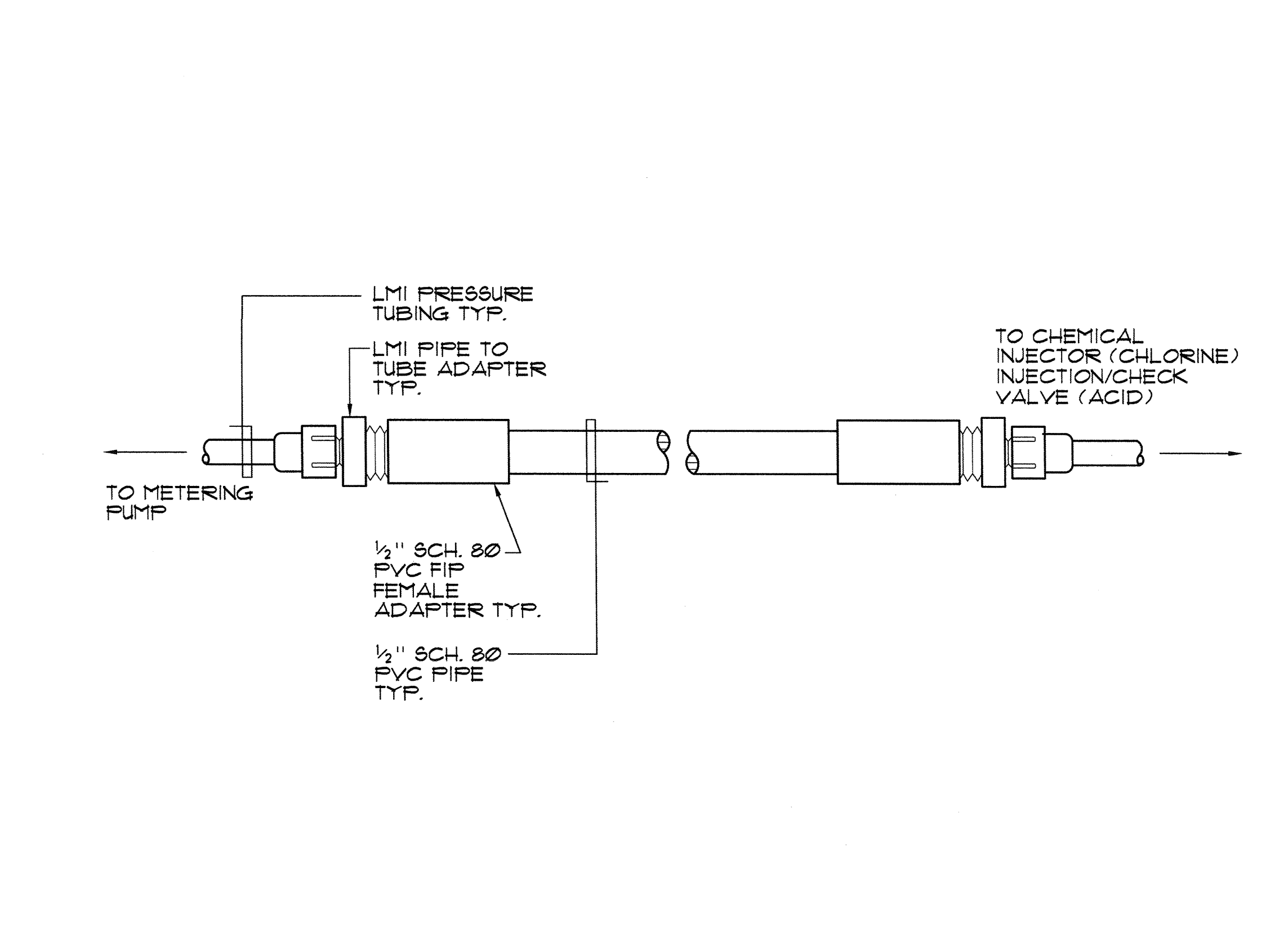
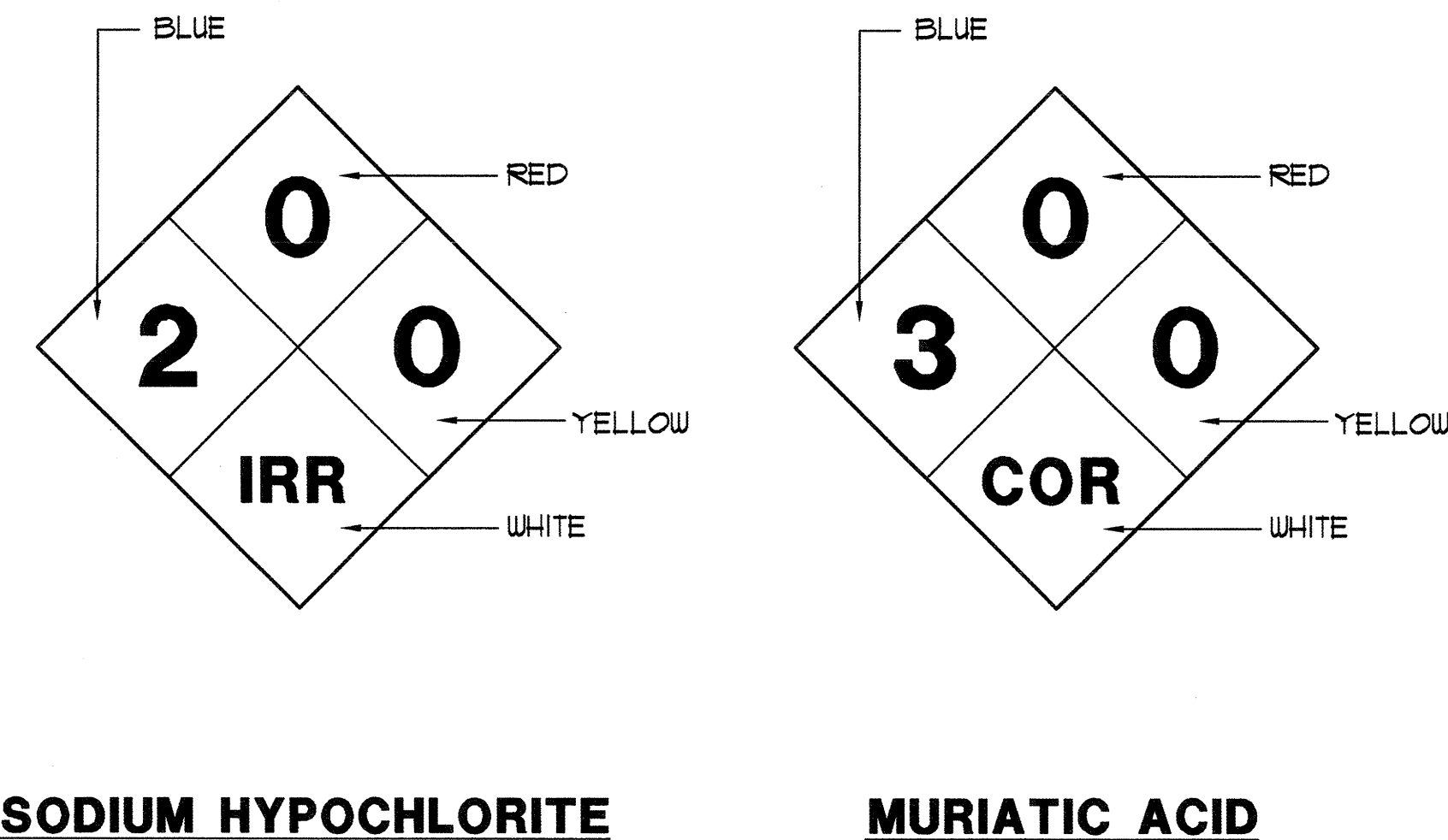
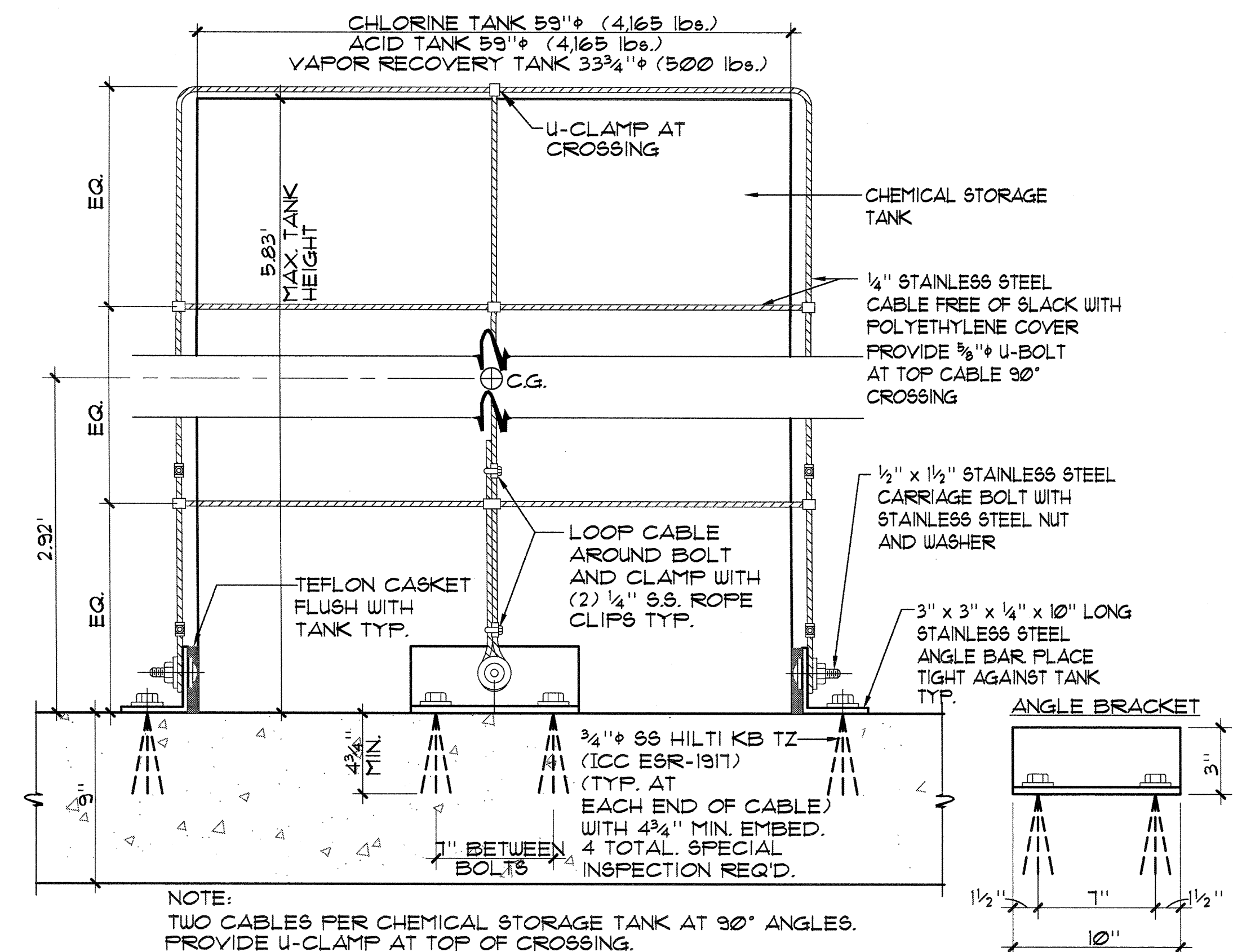
3 PUMP ANCHORAGE NO SCALE



4 SODIUM HYPOCHLORITE FEED SCHEMATIC NO SCALE

5 MURIATIC ACID FEED SCHEMATIC NO SCALE

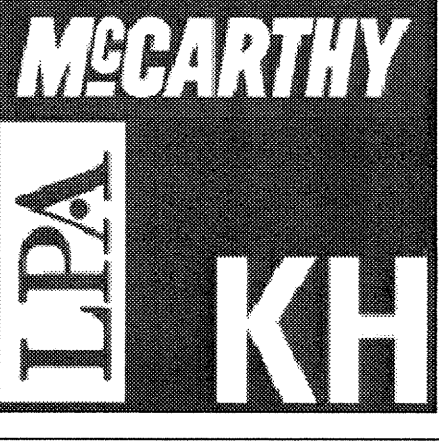
6 VAPOR RECOVERY TANK 1/16"±1-0"



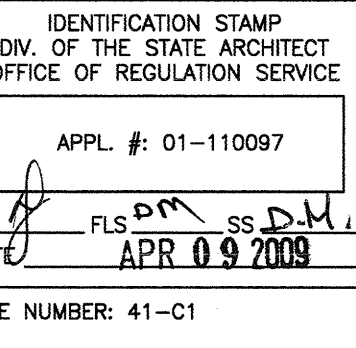
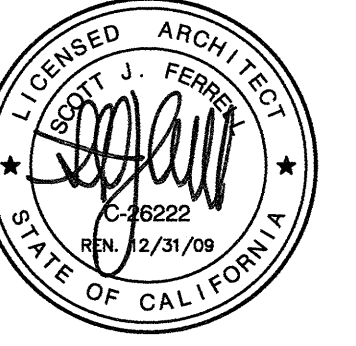
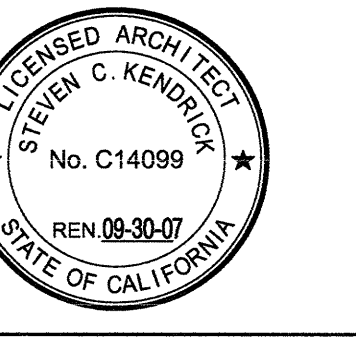
7 CHEMICAL TANK ANCHOR NO SCALE

8 HAZARDOUS INFORMATION SIGNAGE NO SCALE

9 CHEMICAL FEED PIPING DETAIL NO SCALE



McCarthy Building Companies, Inc.
343 Sansome Street, 14th Floor
San Francisco, California 94104
P 415 364-1339
F 415 397-5999



APPL. # 01-110097
AC. DATE APR 09 2008
FILE NUMBER: 41-C1

College of San Mateo
Site Package
San Mateo, CA
Developed for
San Mateo County Community College District

Date	
Revision	
Revision Description	

Date	19 SEPT 2008
Revision Description	DSA SUBMITTAL
Date	09 APRIL 2009
Revision Description	DSA FINAL

Job No.	2708230
Date	09 APRIL 2009
Drawn by	NFC
Checked by	SJF
Scale	AS NOTED

DETAILS
MR-3