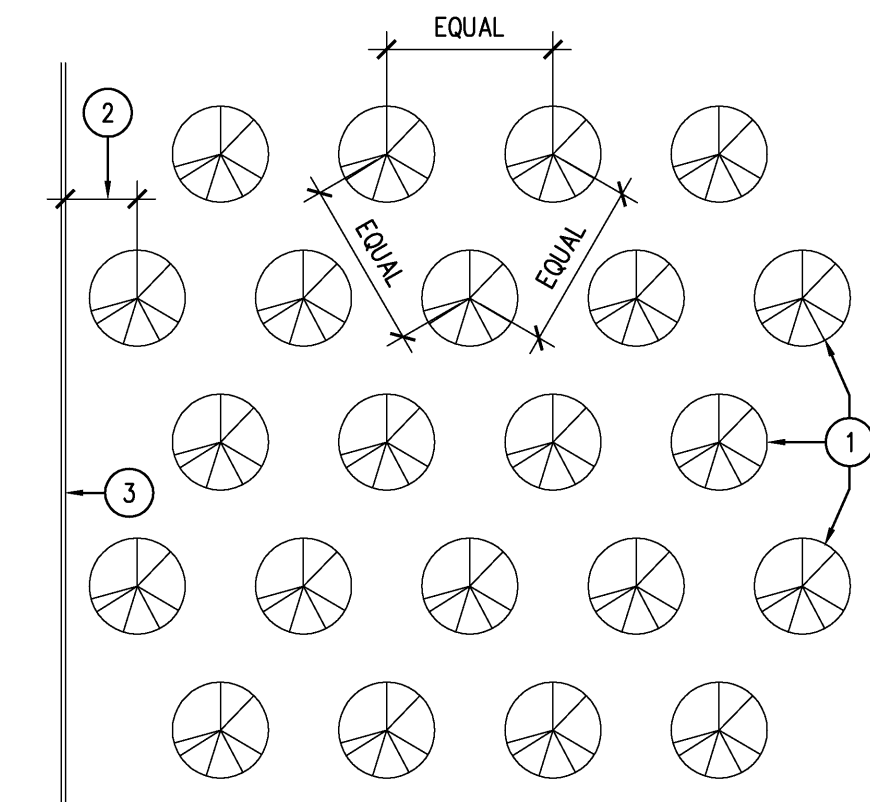


PLANTING SCHEDULE	QTY	PLANTING SCHEDULE	QTY	PLANTING SCHEDULE	QTY
A. CUPRESSUS SEMPERVIRENS	1	A. MISCANTHUS SINENSIS	1	A. IMPATIENS	36
B. BOUGAINVILLEA 'LA JOLLA'	8	B. LIMONIUM PEREZII	12		

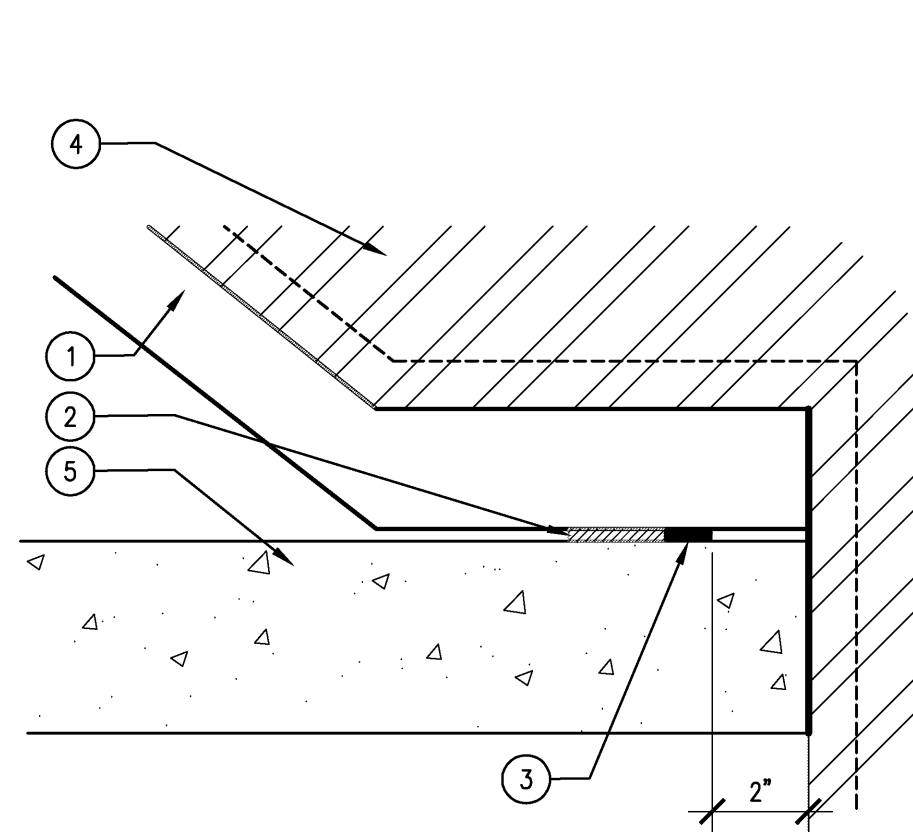
NOTE: SEE PLANTING PLAN LEGEND FOR SIZE OF PLANT MATERIAL.



- LEGEND:
- LOCATE PLANTS WITH EQUAL SPACING AS INDICATED ON PLAN (TRIANGULAR SPACING).
  - 1/2 ON CENTER SPACING.
  - PAVING, BUILDING, OR HEADER SHOWING PLANTING AREA LIMIT.

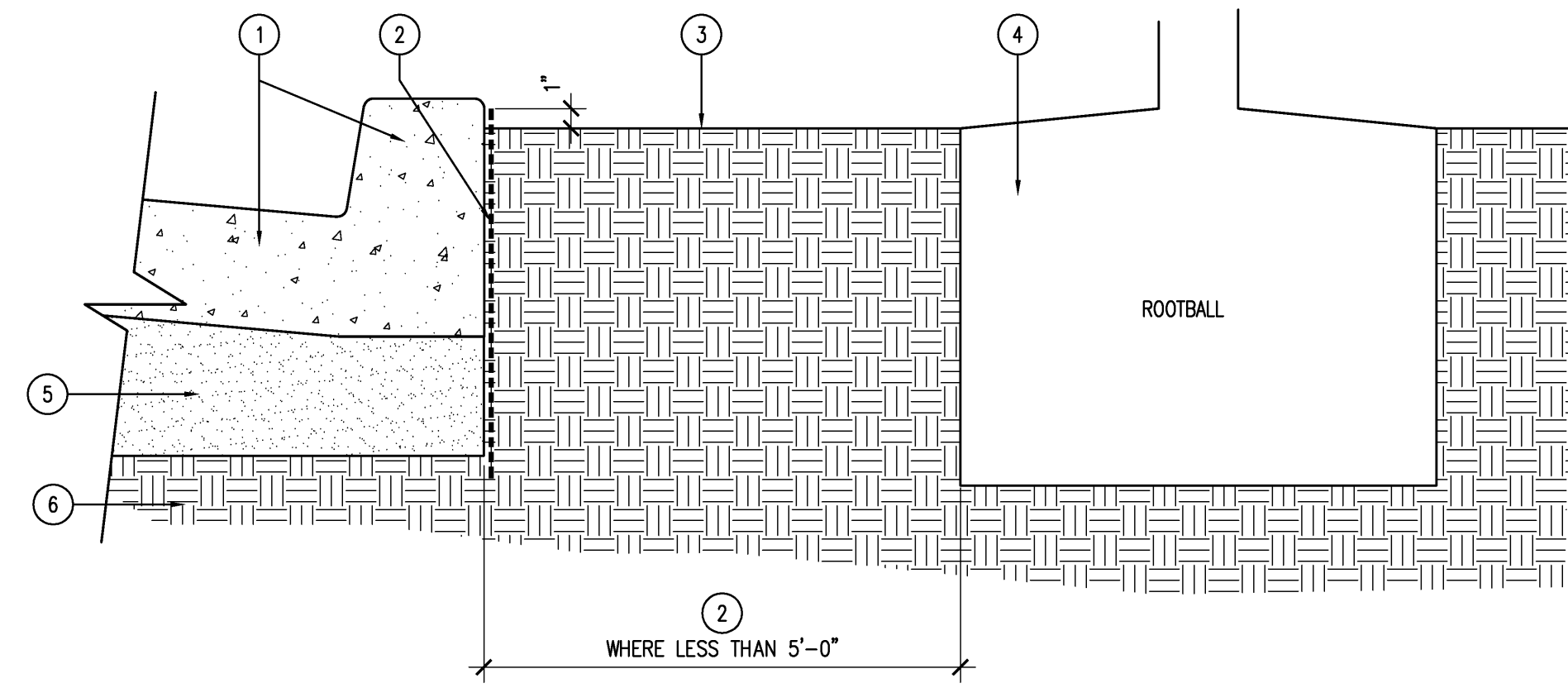
POT PLANTING SCHEDULE 3/8" = 1'-0" 13

TRIANGULAR SPACING 1/4" = 1'-0" 09



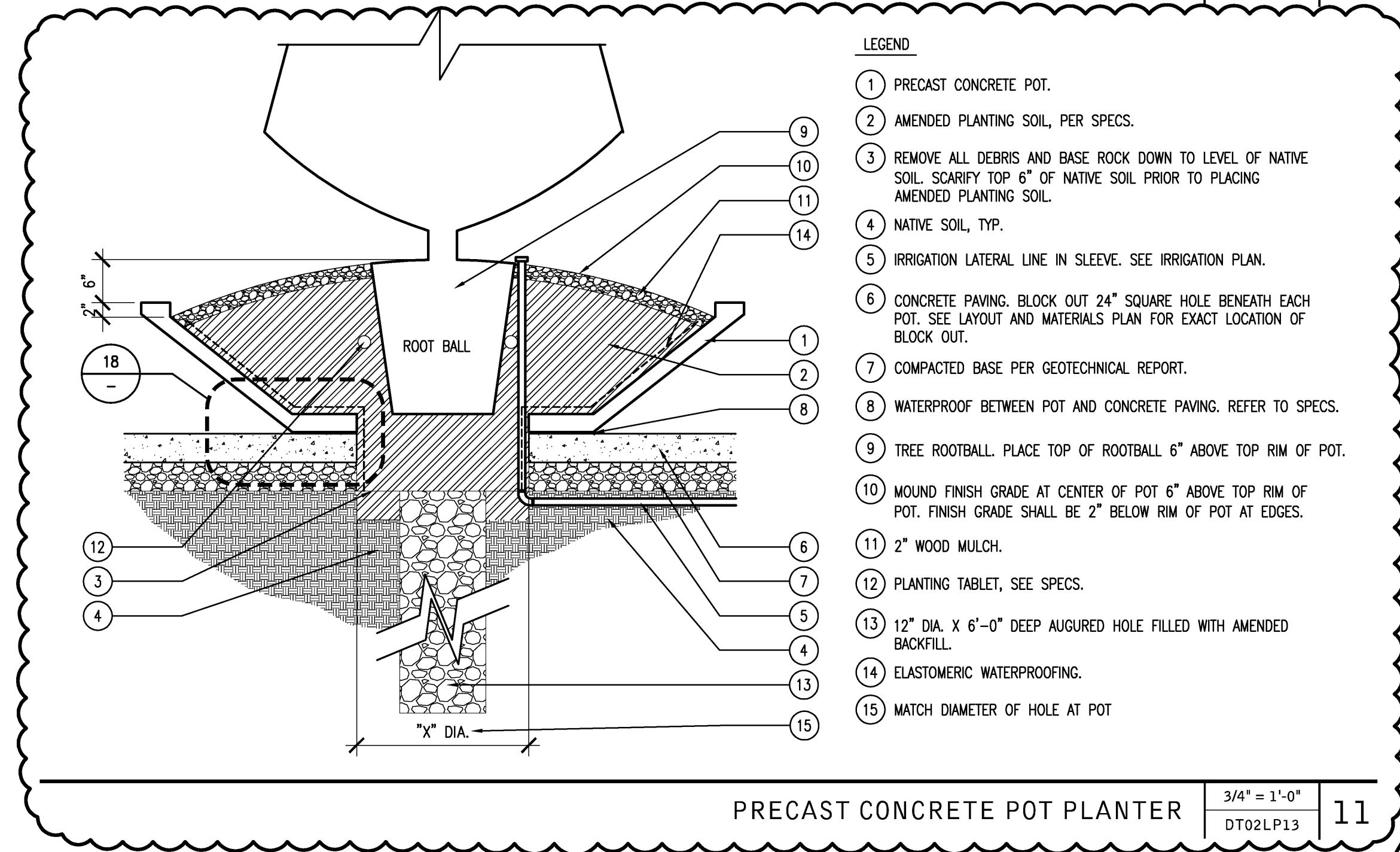
- LEGEND:
- PRECAST CONCRETE POT.
  - 2" WIDE BEAD OF EPOXY ADHESIVE SIMPSON SET 22 OR EQUAL.
  - SINGLE BEAD OF HYDROPHILIC WATER STOP, IDEKA, OR EQUAL.
  - AMENDED SOIL, PER SPECS.
  - CONCRETE PAVING.
  - SEE DETAIL 11 FOR MORE INFORMATION.

POT ENLARGEMENT 3" = 1'-0" 18



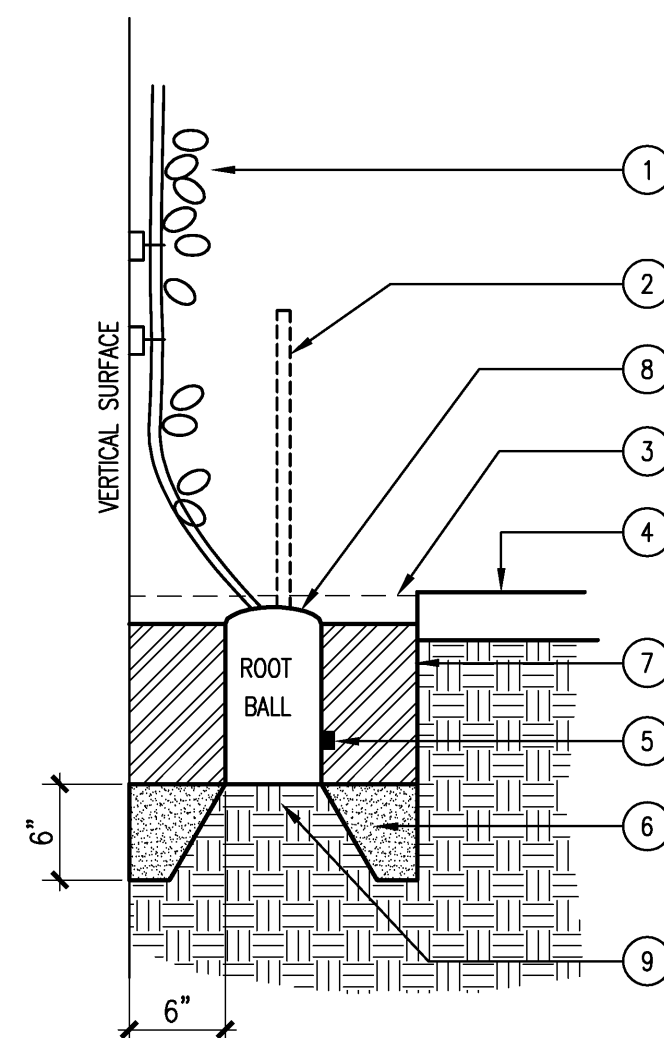
- LEGEND:
- CONCRETE CURB, GUTTER, OR SIDEWALK.
  - LINEAR ROOT BARRIER BY "DEEP ROOT", SEE PLANTING PLAN. MODEL # UB18-2.
  - FINISH GRADE.
  - ADJACENT ROOTBALL. VERIFY THE EXACT LOCATION AND PROTECT AT ALL TIMES.
  - BASE MATERIAL FROM ADJACENT HARDSCAPE.
  - COMPACTED SUBGRADE FROM ADJACENT HARDSCAPE.

LINEAR ROOT BARRIER 1 1/2" = 1'-0" 10



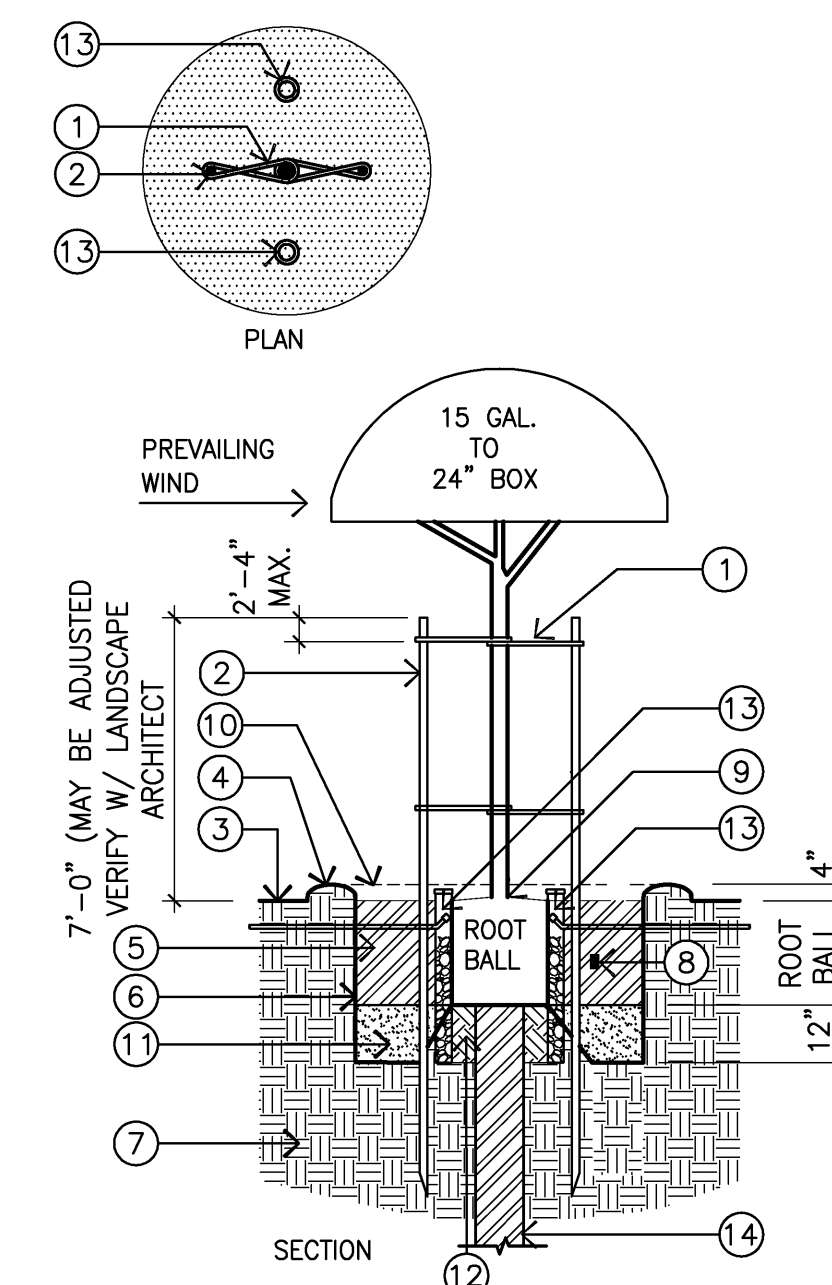
- LEGEND:
- PRECAST CONCRETE POT.
  - AMENDED PLANTING SOIL, PER SPECS.
  - REMOVE ALL DEBRIS AND BASE ROCK DOWN TO LEVEL OF NATIVE SOIL. SCARIFY TOP 6" OF NATIVE SOIL PRIOR TO PLACING AMENDED PLANTING SOIL.
  - NATIVE SOIL, TYP.
  - IRRIGATION LATERAL LINE IN SLEEVE. SEE IRRIGATION PLAN.
  - CONCRETE PAVING. BLOCK OUT 24" SQUARE HOLE BENEATH EACH POT. SEE LAYOUT AND MATERIALS PLAN FOR EXACT LOCATION OF BLOCK OUT.
  - COMPACTED BASE PER GEOTECHNICAL REPORT.
  - WATERPROOF BETWEEN POT AND CONCRETE PAVING. REFER TO SPECS.
  - TREE ROOTBALL. PLACE TOP OF ROOTBALL 6" ABOVE TOP RIM OF POT.
  - MOUND FINISH GRADE AT CENTER OF POT 6" ABOVE TOP RIM OF POT. FINISH GRADE SHALL BE 2" BELOW RIM OF POT AT EDGES.
  - 2" WOOD MULCH.
  - PLANTING TABLET, SEE SPECS.
  - 12" DIA. X 6'-0" DEEP AUGURED HOLE FILLED WITH AMENDED BACKFILL.
  - ELASTOMERIC WATERPROOFING.
  - MATCH DIAMETER OF HOLE AT POT.

PRECAST CONCRETE POT PLANTER 3/4" = 1'-0" 11



- LEGEND:
- VINE
  - LEAN NURSERY STAKE TO WALL OR FENCE
  - 2" MULCH LAYER.
  - ADJACENT MATERIAL. SEE PLAN.
  - PLANTING TABLETS. SEE SPECS.
  - COMPACTED BACKFILL. SEE SPECS.
  - SCARIFY SIDES AND BOTTOM OF PLANTING PIT.
  - TOP OF ROOTBALL TO BE 1/2" BELOW FINISH SURFACE.
  - UNDISTURBED EXISTING SOIL TO FORM PEDESTAL. REPLACE W/ COMPACTED SOIL IF HARDPAN EXISTS.

VINE PLANTING 1" = 1'-0" 12

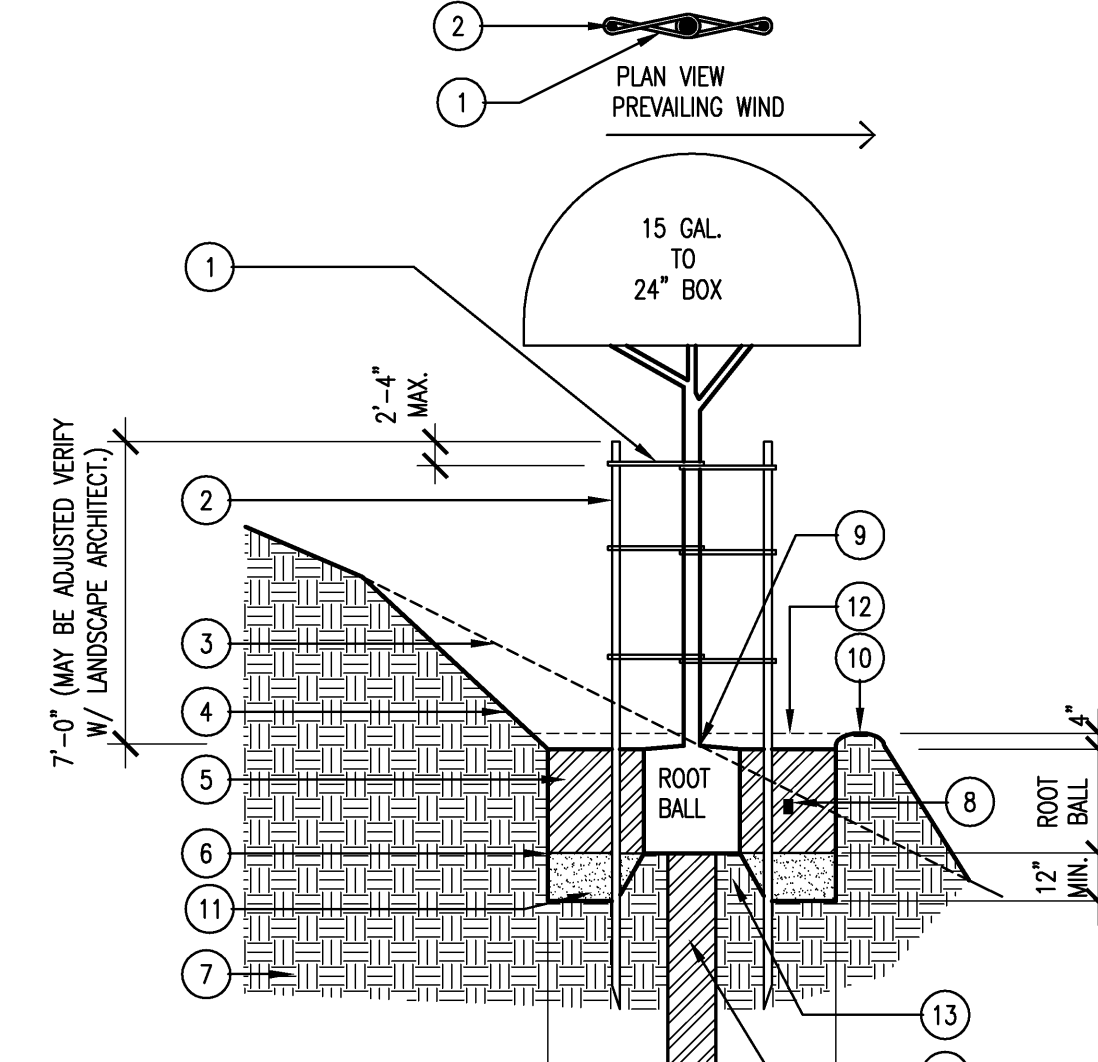


- LEGEND:
- 3/2" BLACK VIT "CINCH TIES". ATTACH W/ TWO ROOFING NAILS. SEE PLAN VIEW.
  - 2" DIA. X 12" LODGE POLE PINE STAKES. (HEIGHT OF STAKE -8'-10'-12" SHOULD BE ADJUSTED BASED ON CONTAINER SIZE, HEIGHT OF TREE, AND GROWTH RATE) CUT STAKES AS DIRECTED BY LANDSCAPE ARCHITECT.
  - FINISH GRADE
  - WATER BASIN. 4" MIN. DEPTH FOR 5 GAL. & LARGER. 2" MIN. FOR 1 GAL. REMOVE BASIN IN LAWN AREAS AND AS DIRECTED BY LANDSCAPE ARCHITECT.
  - AMENDED BACKFILL. SEE SPECIFICATIONS FOR MIX AND PIT SIZE.
  - SCARIFY SIDES AND BOTTOM OF PLANTING PIT.
  - EXISTING SOIL.
  - PLANT TABLET. SEE SPECS.
  - SET TOP OF ROOTBALL 2" ABOVE SURROUNDING GRADE AND SLOPE FOR DRAINAGE. PROVIDE 2" DIA. MULCH RING AT TREES WITHIN TURF. ADJUST HEIGHT OF TREE PLANTING TO ACCOMMODATE SETTLING DUE TO SOIL TYPE.

- MULCH. MAINTAIN CONSTANTLY. SEE SPECS.
- COMPACTED BACKFILL - PUDDLE AND SETTLE PRIOR TO SETTING TREE
- UNDISTURBED EXISTING SOIL TO FORM PEDESTAL. REPLACE WITH COMPACTED NATURAL SOIL IF HARDPAN EXISTS.
- IRRIGATION BUBBLER IN 3'-0" X 4" PERFORATED PIPE W/ BLACK GRATE AT F.G. SEE IRRIGATION PLAN
- 12" X 6'-0" DEEP AUGURED HOLE POSTHOLE WITH AMENDED BACKFILL. CENTER UNDER ROOTBALL.

NOTES:  
1. SEE IRRIGATION PLANS FOR TREE BUBBLER INFORMATION.

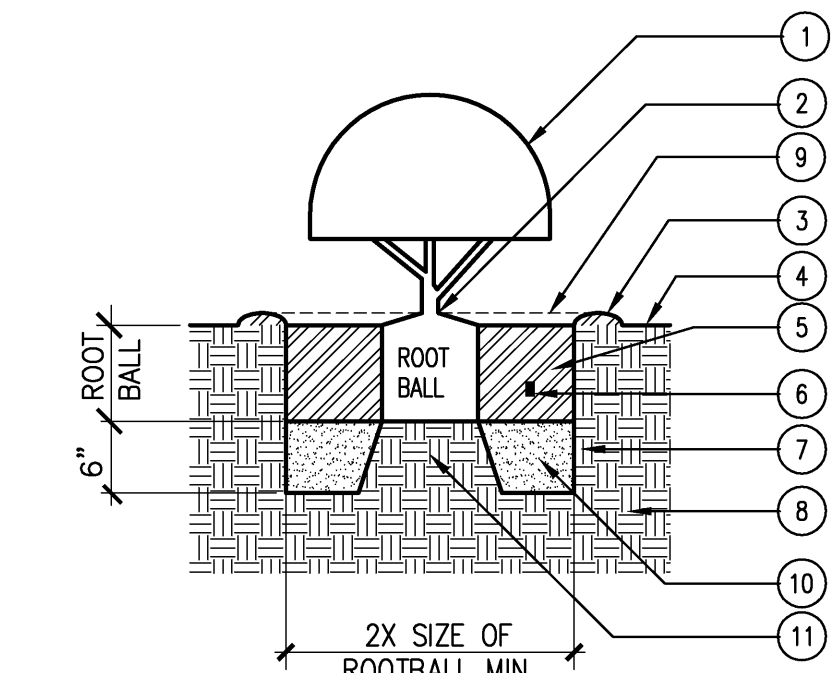
TREE STAKING AND PLANTING DETAIL WITH IRRIGATION BUBBLER 1/4" = 1'-0" 01



- LEGEND:
- 3/2" BLACK VIT "CINCH TIES". ATTACH W/ TWO ROOFING NAILS. SEE PLAN VIEW.
  - 2" DIA. X 12" LODGE POLE, PINE STAKES. (HEIGHT OF STAKE -8'-10'-12" SHOULD BE ADJUSTED BASED ON CONTAINER SIZE, HEIGHT OF TREE, AND GROWTH RATE) CUT STAKE AS DIRECTED BY LANDSCAPE ARCHITECT.
  - EXISTING SLOPE
  - OUT SLOPE TO MEET PLANT PIT.
  - AMENDED BACKFILL. SEE SPECIFICATIONS FOR MIX AND PIT SIZE.
  - SCARIFY SIDES AND BOTTOM OF PLANTING PIT.
  - EXISTING SOIL.
  - PLANT TABLET. SEE SPECS.
  - SET TOP OF ROOTBALL 2" ABOVE SURROUNDING GRADE AND SLOPE FOR DRAINAGE. PROVIDE 2" DIA. MULCH RING AT TREES WITHIN TURF. ADJUST HEIGHT OF TREE PLANTING TO ACCOMMODATE SETTLING DUE TO SOIL TYPE.
  - WATER BASIN. 4" MIN. FOR 5 GAL. & LARGER. 2" MIN FOR 1 GAL. SEE SPECS. REMOVE BASIN IN LAWN AREAS AND AS DIRECTED BY LANDSCAPE ARCHITECT.
  - COMPACTED BACKFILL - PUDDLE AND SETTLE PRIOR TO SETTING TREE.
  - 2" MULCH. MAINTAIN CONSTANTLY SEE SPECS.
  - UNDISTURBED EXISTING SOIL TO FORM PEDESTAL. REPLACE W/ COMPACTED NATURAL SOIL IF HARDPAN EXISTS.
  - 12" X 6'-0" DEEP POSTHOLE WITH AMENDED BACKFILL.

NOTE:  
1. SEE DETAIL 02 FOR STAKING IN HIGH WIND CONDITIONS.

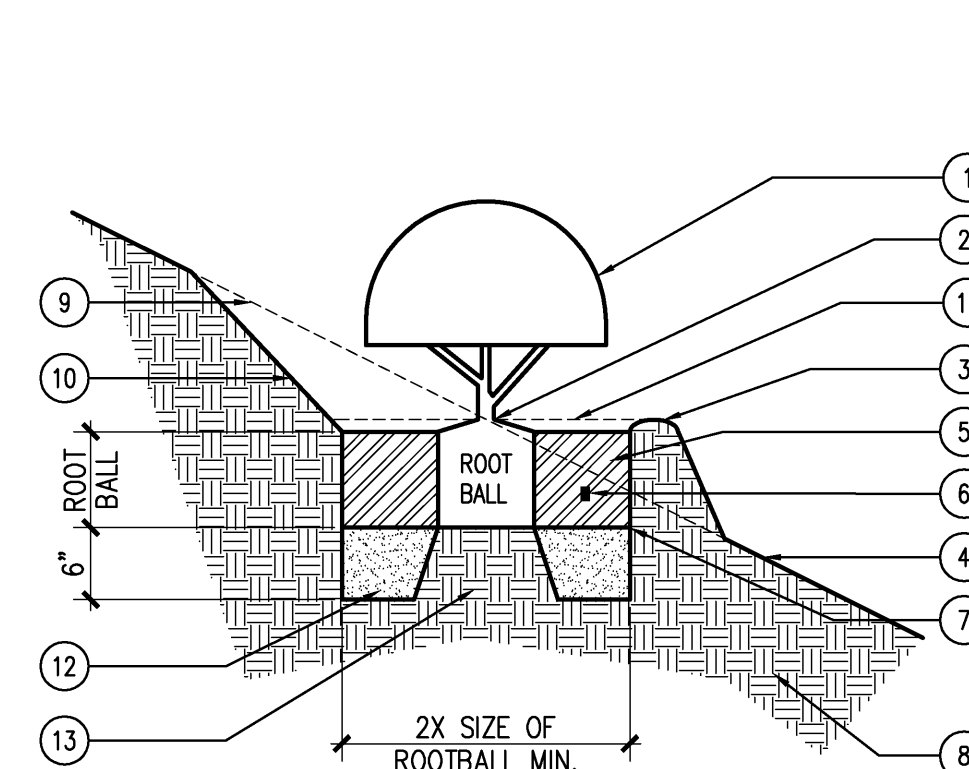
TREE STAKING AND PLANTING ON SLOPE 1/4" = 1'-0" 02



- LEGEND:
- 1 TO 15 GALLON SHRUB. (SEE PLANTING PLAN)
  - SET CROWN OF ROOTBALL 1" ABOVE FINISH GRADE AND SLOPE SOIL AWAY FROM ROOTBALL. ADJUST HEIGHT OF PLANTING TO ACCOMMODATE SETTLING DUE TO SOIL TYPES.
  - WATER BASIN. 4" MIN. FOR 5 GAL. & LARGER. 2" MIN FOR 1 GAL.
  - FINISH GRADE
  - AMENDED BACKFILL. SEE SPECS. FOR MIX AND PIT SIZE.
  - PLANT TABLET. SEE SPECS.
  - SCARIFY SIDES AND BOTTOM OF PLANTING PIT.
  - EXISTING SOIL.
  - 2" MULCH. MAINTAIN CONSTANTLY. SEE SPECS.
  - COMPACTED BACKFILL. SEE SPECS. PUDDLE AND SETTLE PRIOR TO SETTING SHRUB.
  - UNDISTURBED EXISTING SOIL TO FORM PEDESTAL. REPLACE WITH COMPACTED NATURAL SOIL IF HARDPAN EXISTS.

NOTE:  
SEE DETAIL 11 FOR SHRUB PLANTING ON SLOPE.  
SEE DETAIL 09 FOR SPACING DIAGRAM

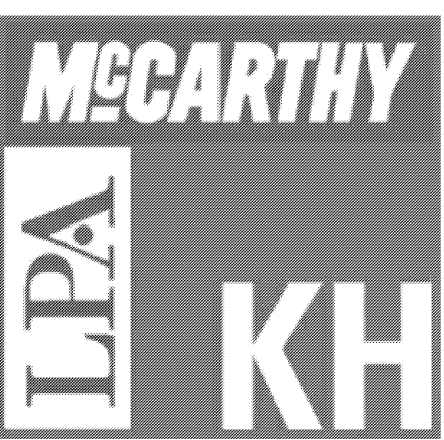
SHRUB PLANTING DETAIL 3/4" = 1'-0" 03



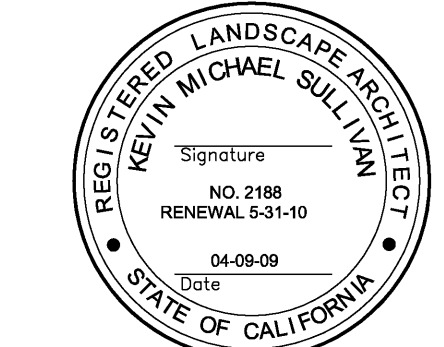
- LEGEND:
- SHRUB - CENTER IN PIT.
  - SET CROWN OF ROOTBALL 1" ABOVE FINISH GRADE AND SLOPE SOIL AWAY FROM ROOTBALL. ADJUST HEIGHT OF PLANTING TO ACCOMMODATE SETTLING DUE TO SOIL TYPES.
  - WATER BASIN. 4" MIN. FOR 5 GALLON & LARGER. 2" MIN FOR 1 GALLON
  - FINISH GRADE
  - AMENDED BACKFILL
  - PLANT TABLET.
  - SCARIFY SIDES AND BOTTOM OF PLANTING PIT.
  - EXISTING SOIL.
  - EXISTING SLOPE
  - OUT SLOPE TO MEET ROOTBALL.
  - 2" WOOD MULCH.
  - COMPACTED BACKFILL. SETTLE PRIOR TO SETTING SHRUB.
  - UNDISTURBED EXISTING SOIL TO FORM PEDESTAL. REPLACE WITH COMPACTED NATURAL SOIL IF HARDPAN EXISTS.

NOTE:  
SEE DETAIL 09 FOR SPACING DIAGRAM

SHRUB PLANTING ON SLOPE 3/4" = 1'-0" 04



McCarthy Building Companies, Inc.  
343 Sansome Street, 14th Floor  
San Francisco, California 94104  
P 415 364-1339  
F 415 397-5999



IDENTIFICATION STAMP  
DIV. OF THE STATE ARCHITECT  
OFFICE OF REGULATION SERVICE  
APPL. # 01-110097  
AC: \_\_\_\_\_ FLS: \_\_\_\_\_ SS: \_\_\_\_\_  
DATE: \_\_\_\_\_  
FILE NUMBER: \_\_\_\_\_

This set of other project documents and all fees, penalties and damages associated therewith are the property of LPA, Inc. (LPA) and cannot be used in any way to provide any project or any other project without the express written consent of LPA. LPA hereby grants permission to the recipient to use the project documents for the project only and for the project only. LPA does not warrant, represent or make any representation or warranty of any kind, express or implied, in connection with the project documents. LPA and LPA's Consultants make no representation concerning the accuracy of documents and are not responsible for any discrepancies between project documents and the existing conditions.

© Copyright 2009

College of San Mateo  
Site Package  
San Mateo, CA

Developed for  
San Mateo County Community College District

Revision	Description	Date
01	ISSUE FOR PERMIT	19 SEPT 2009
02	ISSUE FOR PERMIT	03 APRIL 2009
03	BULLETIN # 6 (817 COURTYARD)	DEC 11 2009

Job No. 27082.30  
Date 09 APRIL 2009  
Drawn by AG, RF  
Checked by SM  
Scale AS SHOWN

PLANTING  
DETAILS

L6.20