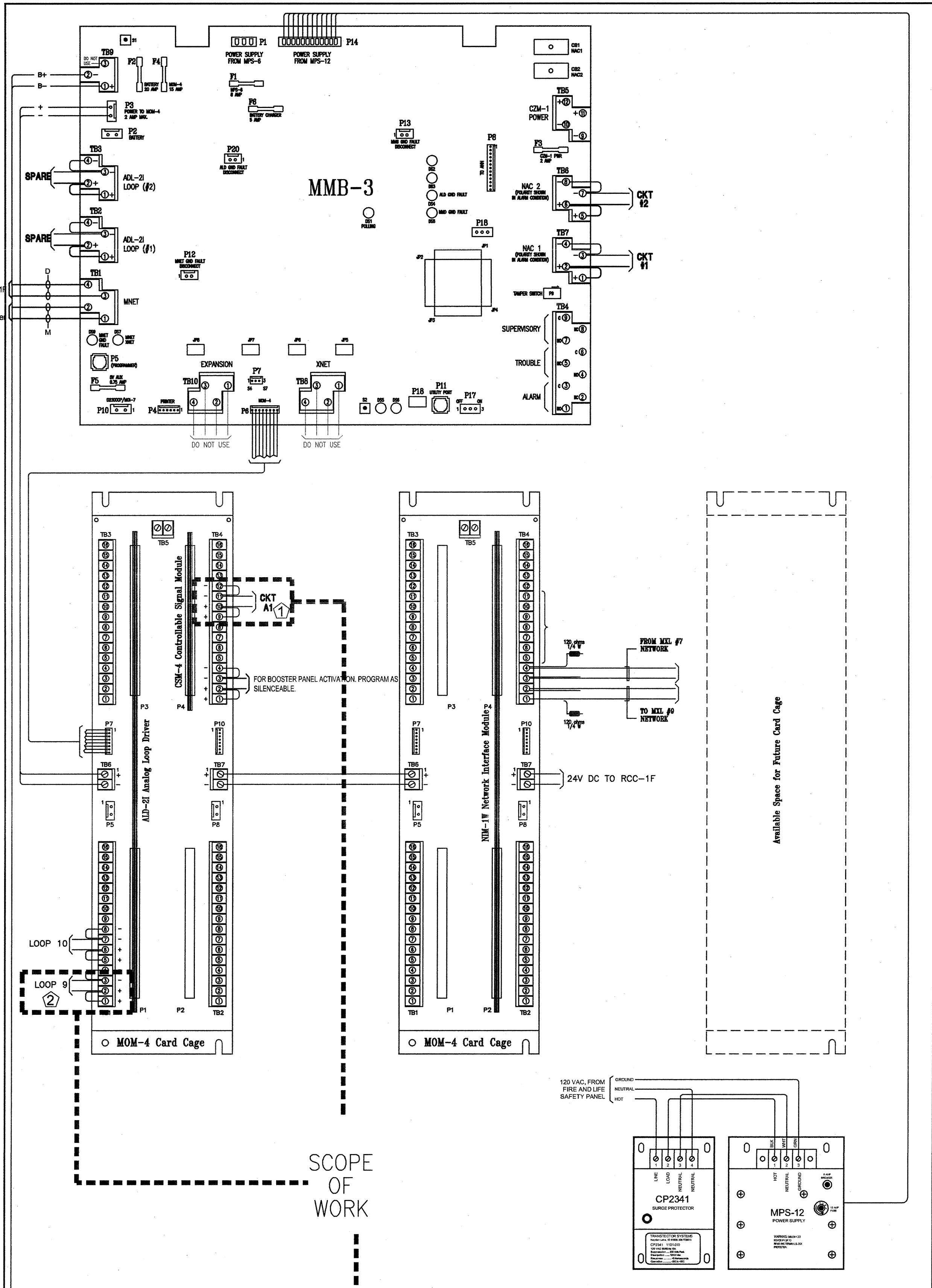


104R PANEL ENCLOSURE CONSISTING OF:
 MBR-2 Backbox
 MDR-2 Door

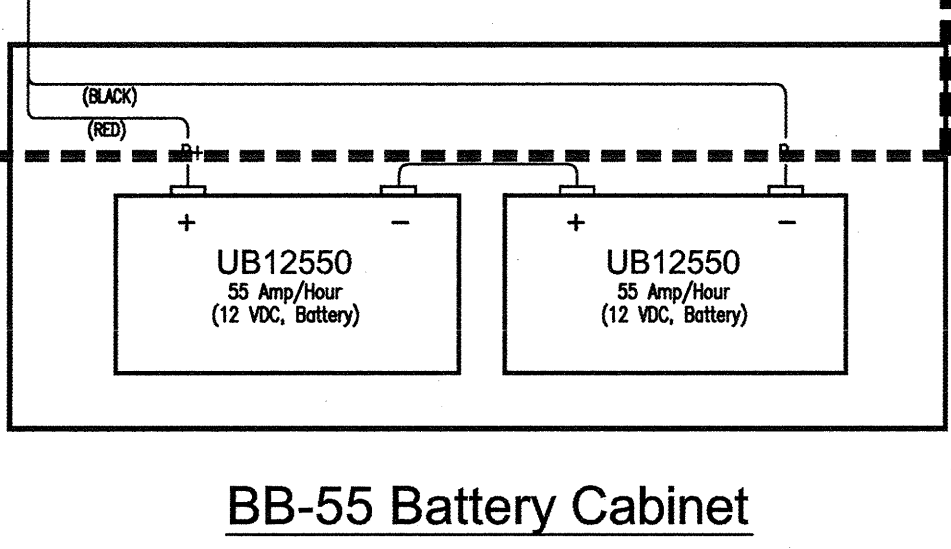


104R PANEL ENCLOSURE CONSISTING OF:
 MBR-2 Backbox
 MDR-2 Door

MXL BATTERY CALCULATION				
SUPERVISORY CURRENT				
DESCRIPTION	QTY	MODULE CURRENT	DEVICE CURRENT	TOTAL ROW CURRENT
MMB-3 MAIN CONTROL BOARD	1	0.175		0.175
MKB-2 ANNUNCIATOR/KEYBOARD	1	0.005		0.005
ALD-2I ANALOG LOOP DRIVER	1	0.105		0.105
ALD LOOP	2		0.068	0.132
CSM-4 CONTROLLABLE SIGNAL MODULE	1	0.010		0.010
NOTIFICATION CIRCUITS	2		0.012	0.024
NIM-1W NETWORK INTERFACE MODULE	1	0.150		0.150
RCC-1 REMOTE COMMAND CENTER	1	0.075		0.075
TOTAL CURRENT				0.678
ALARM CURRENT				
MXL NOTIFICATION CIRCUITS				TOTAL CKT CURRENT LOAD
TOTAL ALARM CURRENT (AMPS)				0.389
SUMMARY				
A = TOTAL SUPERVISORY CURRENT		SUPERVISORY TIME REQUIRED—60 HR		
x SUPERVISORY TIME REQUIRED		ALARM TIME REQUIRED—5 MINS. or .083 HR		
0.678 AMPS x 60 HR		BATTERY PROVIDED... UB12550 (2)		
= 40.68 (AMP-HR)		BATTERY SIZE..... 56 (AMP-HR)		
B = TOTAL ALARM CURRENT		TOTAL SYSTEM REQUIRED (AH)		
x ALARM TIME REQUIRED		= 40.648 AMP/HOUR		
1.065 AMPS x .083 HR		BATTERY RESERVE AFTER		
= 0.088 (AMP-HR)		60 HOURS SUPERVISORY		
C = A + B		6.5 MINUTES ALARM (AMP/HOUR)		
= 40.648 (AMP-HR)		= 14.352 AMP/HOUR		

ACTUAL VOLTAGE DROP CALCS			
CKT	DISTANCE (ft.)	CURRENT LOAD (amps)	VOLTAGE DROP (%)
A1	315	0.389	1.689

#12 AWG WIRE BEING USED



MXL — FIRE ALARM CONTROL PANEL
 Building 8, College of San Mateo

NUMBERED NOTES:

- ① TO FATC LOCATED IN POOL ROOM
- ② TIE POOL/CONCESSION BUILDING ADDRESS CKT AT THE FACP LOOP 9

McCarthy Building Companies, Inc.
 343 Sansome Street, 14th Floor
 San Francisco, California 94104
 P 415 364-1339
 F 415 397-5999

Siemens Building Technologies, Inc.
 Fire Safety Division
 SAN FRANCISCO BRANCH
 25821 Industrial Boulevard, Suite 300
 Hayward, California 94545-2991
 Tel (510) 783-6000 Fax (510) 293-2100
 California State C10 License No. 758796
 U.L. Certificate ID No. 324787-001



IDENTIFICATION STAMP
 DIV. OF THE STATE ARCHITECT
 OFFICE OF REGULATION SERVICE
 APPL. # 01-110097
 AC: [Signature] PLS: [Signature] SS: [Signature]
 DATE: APR 19 2009
 FILE NUMBER:

The end of other project documents and all items, including but not limited to, drawings, specifications, schedules and product documents are the intellectual property of LPA, Inc. LPA, Inc. is not responsible for the accuracy or completeness of any information or data provided in this document. The user of this document is advised that any reliance on the information or data provided in this document is solely the user's responsibility and that the user should verify the accuracy and completeness of the information and data provided in this document. LPA and LPA's Consultants make no representation or warranty, expressed or implied, of the accuracy or completeness of the information or data provided in this document and are not responsible for any damages or losses resulting from the use of this document.

© Copyright 2009

College of San Mateo
 Site Package
 San Mateo, CA
 Developed for
 San Mateo County Community College District

Date	Description
19 SEPT 2008	DSA SUBMITTAL
09 APRIL 2009	DSA FINAL

Job No.	2708230
Date	09 APRIL 2009
Drawn by	RB
Checked by	HR
Scale	AS SHOWN

EXISTING MXL
 UPDATED
 CALCULATIONS

L:\Eng_2\Current Projects\College of San Mateo-Pool Building_300085\Incoming Files\YEAR 2009\Fire Alarm\CSM_POOL_BLDG_FA_DSA_FINAL_POOL_BUILDING-RELDWG - Apr 08, 2009 Wednesday - 10:07am - FA04-MXL - ffraren