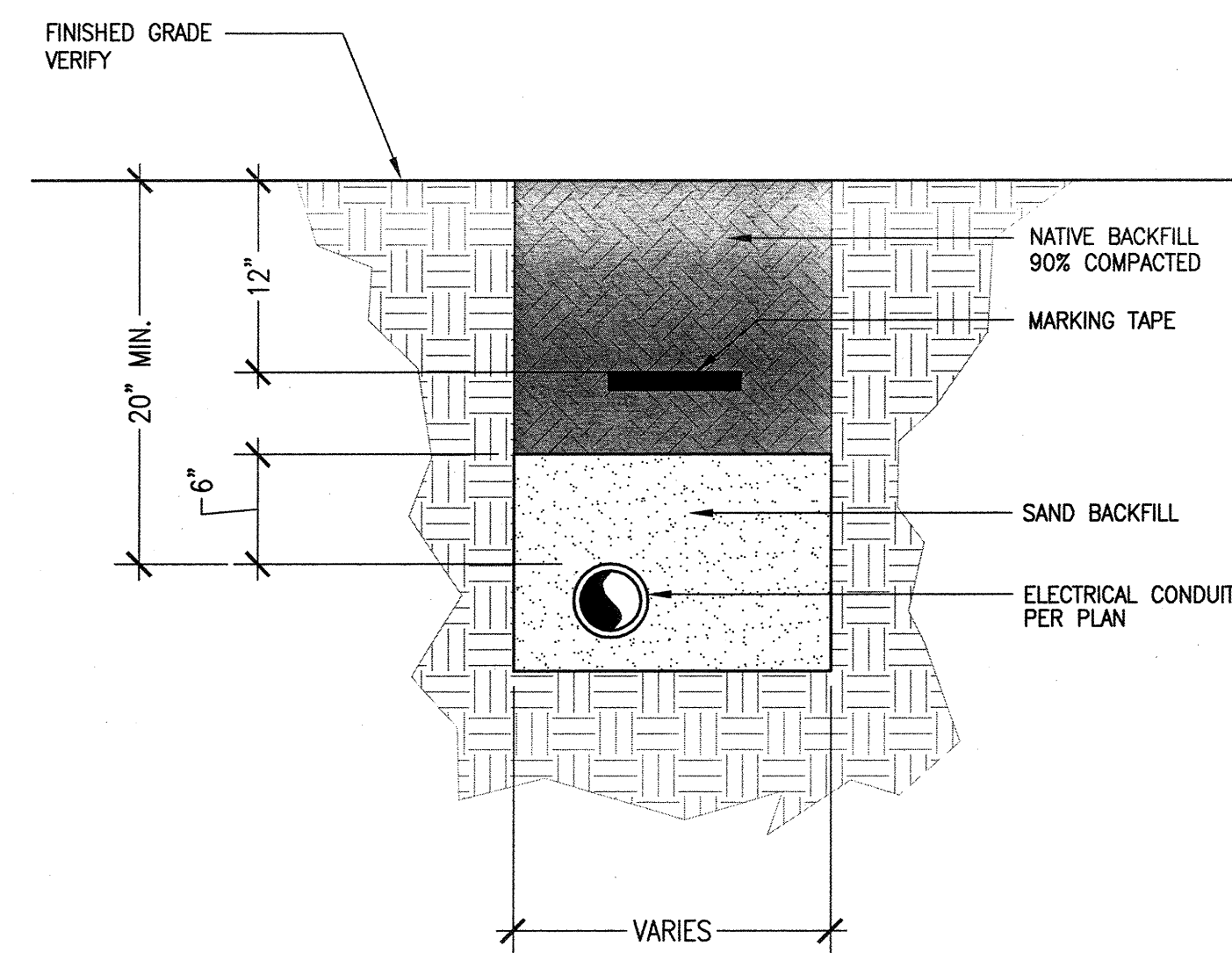




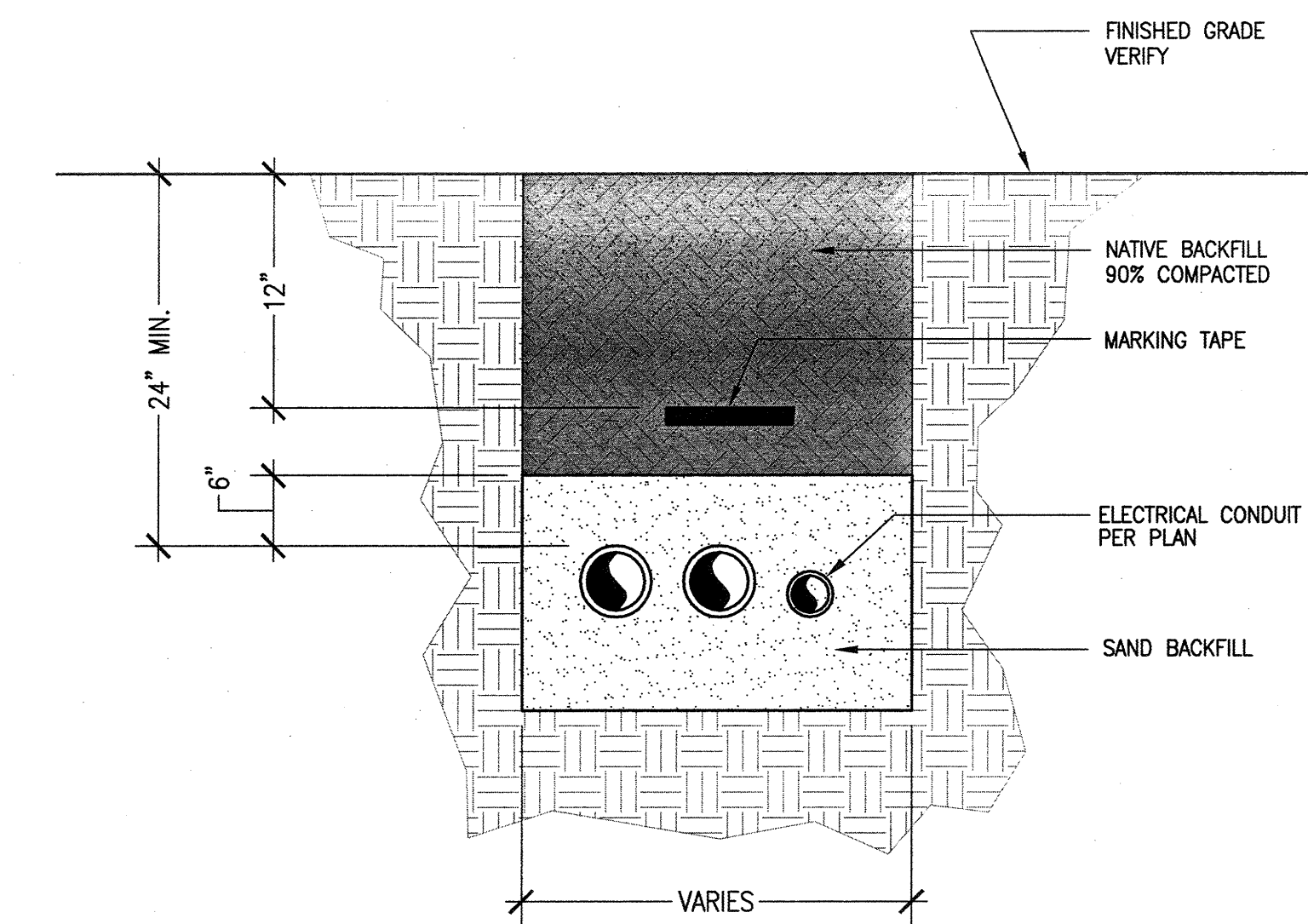
IDENTIFICATION STAMP
DIV. OF THE STATE ARCHITECT
OFFICE OF REGULATION SERVICE
APPL. # 01-110097
AC: [] FL: [] SV: [] SS: [] DM: []
DATE: APR 09 2009
FILE NUMBER:

This set of other project documents and all files, including and design documents, shall be the property of LPA, Inc. and shall remain the property of LPA, Inc. for any project of any kind, in any state, at any time, and shall not be used, copied, reproduced, or otherwise disseminated without the written consent of LPA, Inc. LPA, Inc. shall not be held responsible for any damage or loss of any kind, including but not limited to, the loss of any data, information, or other documents, or any other consequences, arising from the use of any of the documents in this set of documents, or any other documents, or any other consequences, arising from the use of any of the documents in this set of documents, or any other consequences, arising from the use of any of the documents in this set of documents.

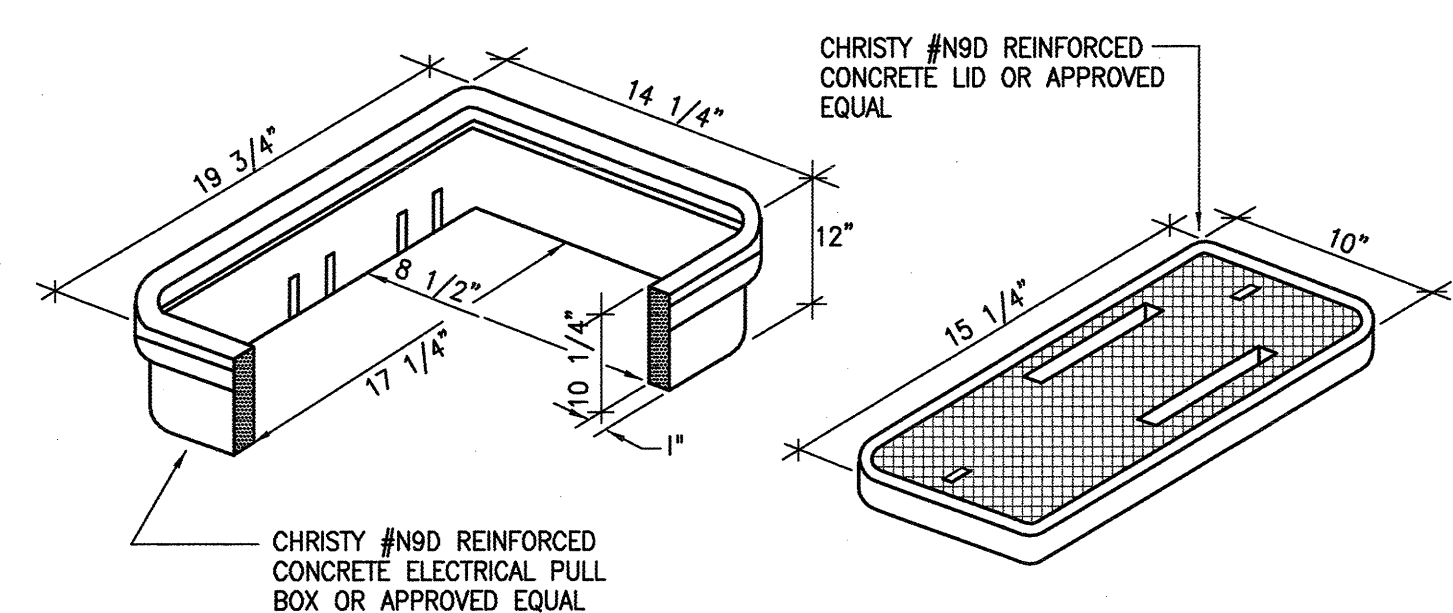
© Copyright 2008



5 TRENCH AT NON-VEHICULAR TRAFFIC AREAS
E0.05 NO SCALE

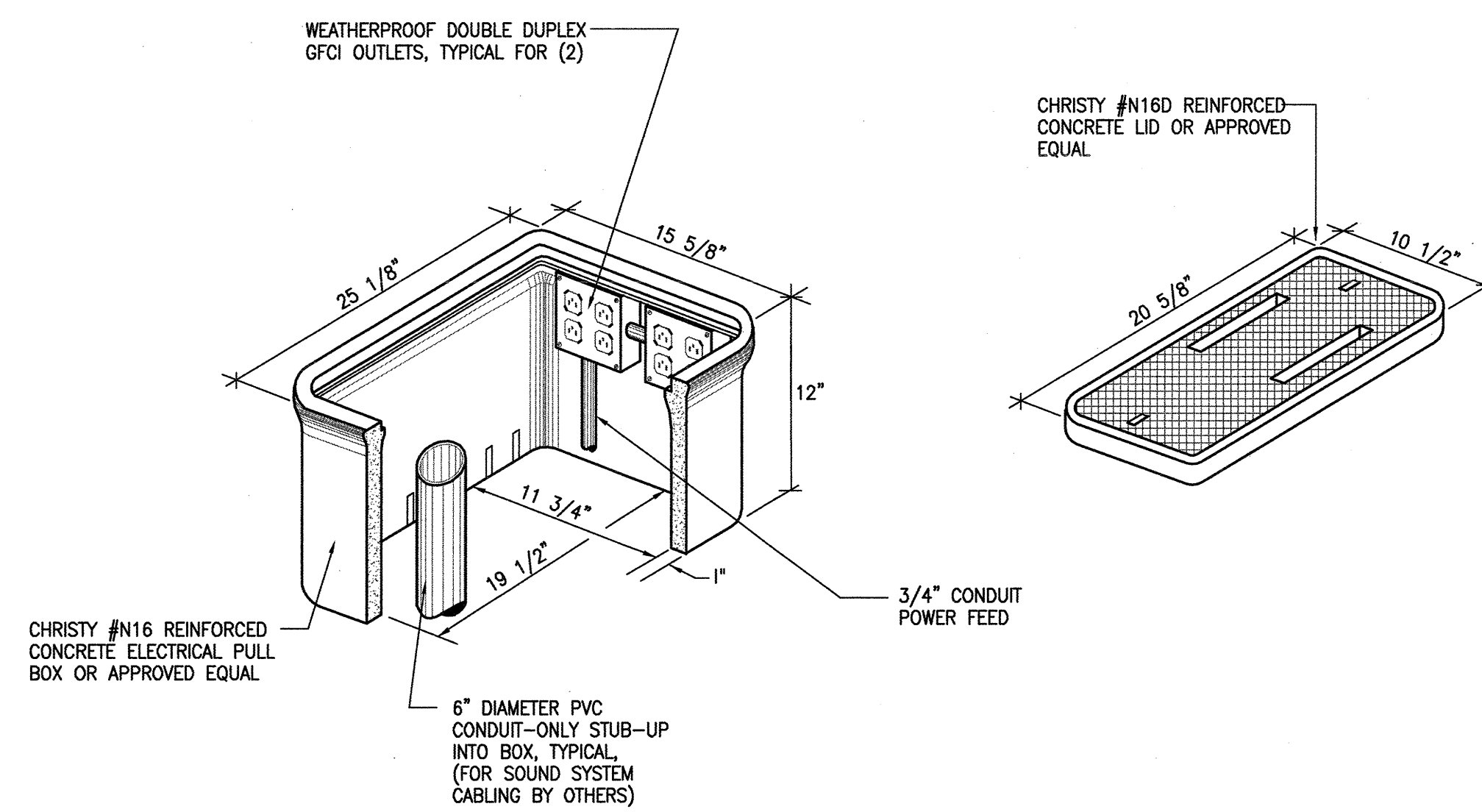


4 TRENCH AT ROADWAY/PARKING LOT
E0.05 NO SCALE



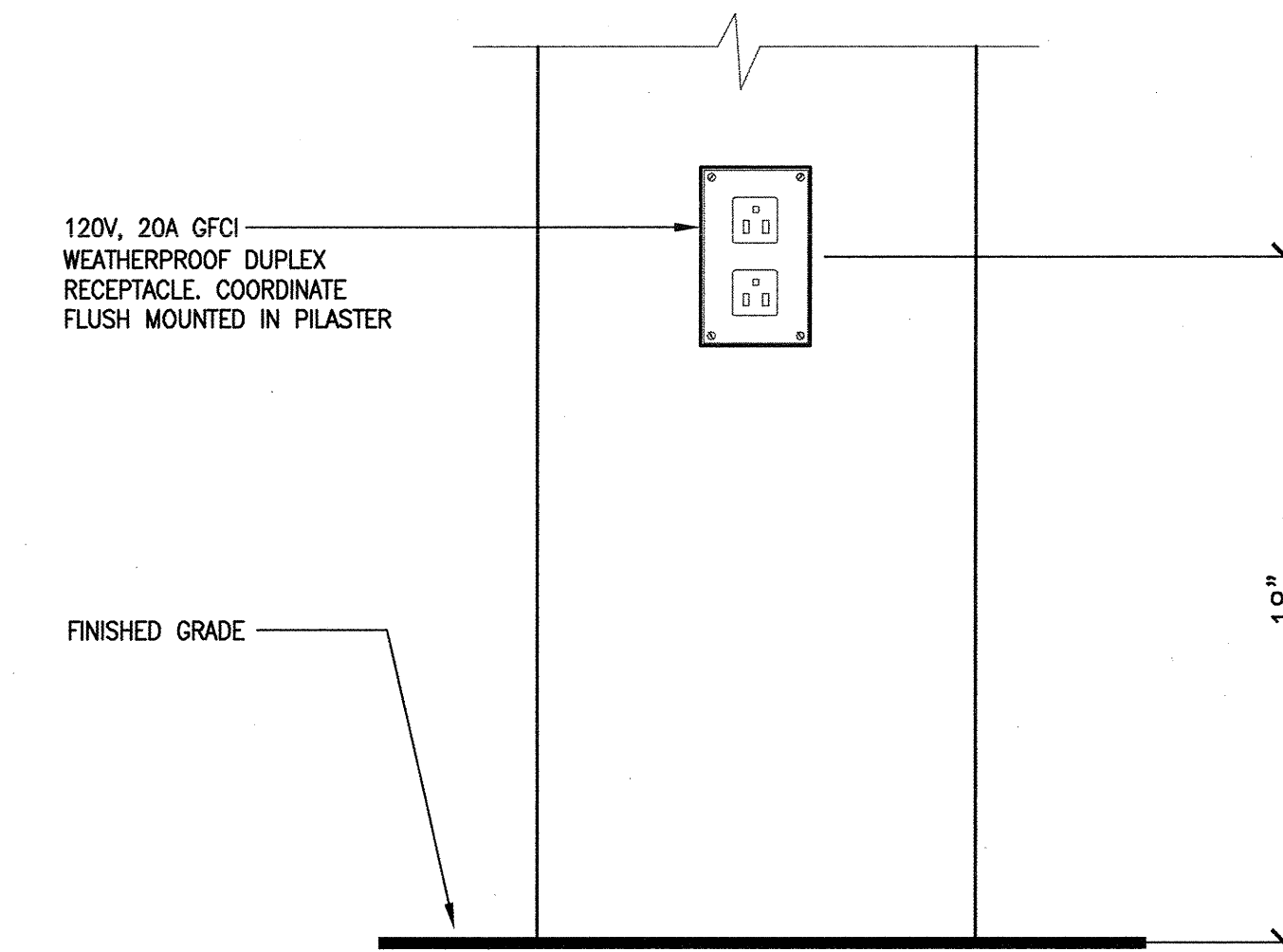
A HIGH DENSITY REINFORCED CONCRETE PULL AND JUNCTION BOX WITH END AND SIDE KNOCKOUTS. NON-SETTLING SHOULDERS MAINTAIN GRADE AND FACILITATE BACK FILLING. APPROXIMATE DIMENSIONS SHOWN.

1 N9 ELECTRICAL PULLBOX
E0.05 NO SCALE



A HIGH DENSITY REINFORCED CONCRETE PULL AND JUNCTION BOX WITH END AND SIDE KNOCKOUTS. NON-SETTLING SHOULDERS MAINTAIN GRADE AND FACILITATE BACK FILLING. APPROXIMATE DIMENSIONS SHOWN.

2 N16 ELECTRICAL BOX
E0.05 NO SCALE



3 OUTDOOR OUTLET @ POOL
E0.05 NO SCALE

College of San Mateo
Site Package
San Mateo, CA
Developed for
San Mateo County Community College District

Date	Revision	Description

Date	Description
19 SEPT. 2008	DSA SUBMITTAL
09 APRIL 2009	DSA FINAL

Job No.	300085
Date	09 APRIL 2009
Drawn by	RE CAD TEAM
Checked by	THS/FRV
Scale	AS SHOWN

Electrical
Details
E0.05