

1 TYPICAL GUTTER DETAIL 1" = 1'-0"

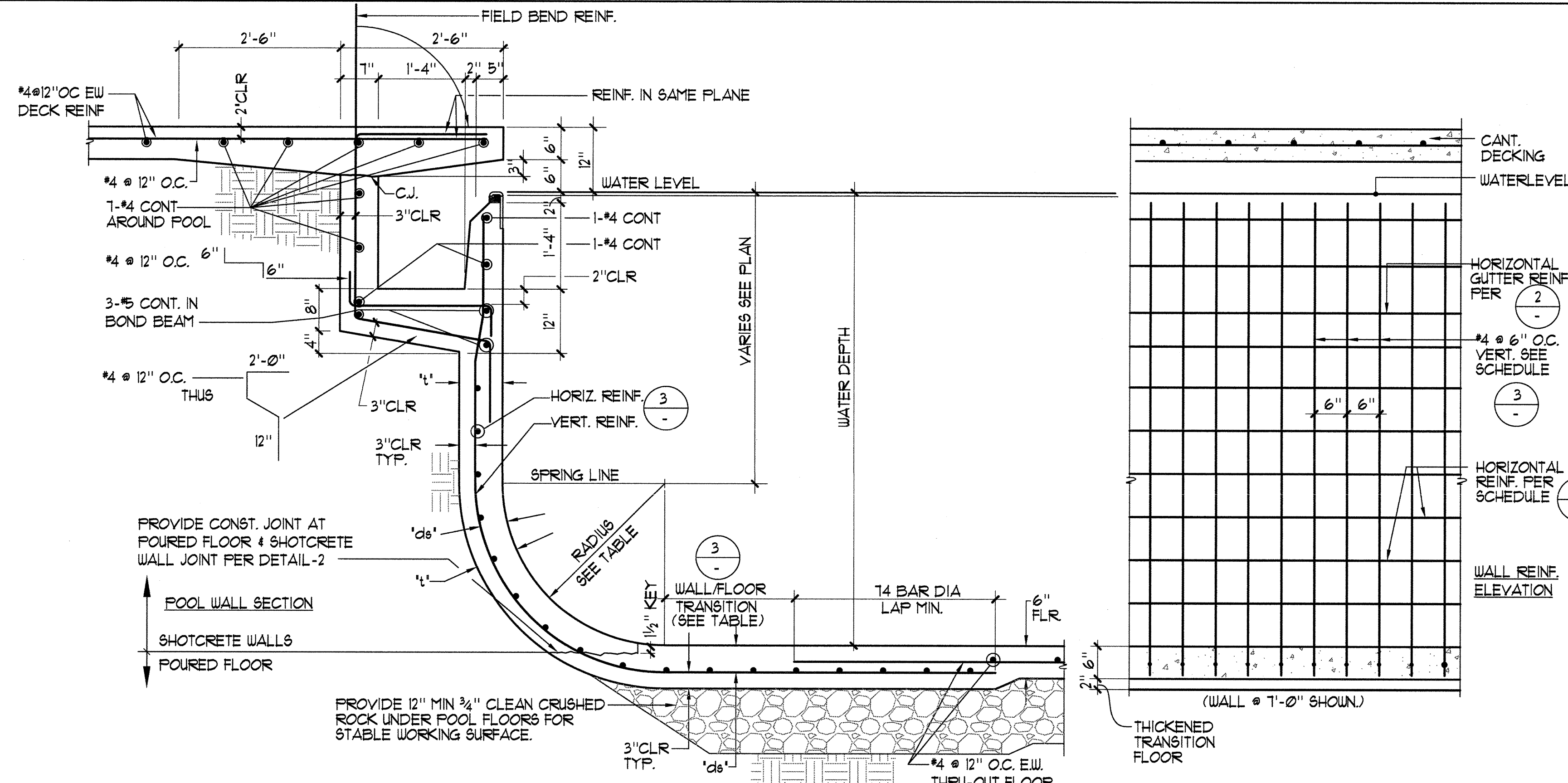
REINFORCEMENT TABLE					
WATER DEPTH	1' '06"	RADIUS	VERTICAL REINF.	HORIZONTAL REINF.	TRANSITION TO FLOOR REINF. BEYOND END RADIUS
7'-0"	8" 5"	2'-6"	#4 @ 6" O.C.	#4 @ 8" O.C.	24"

CONCRETE NOTES:

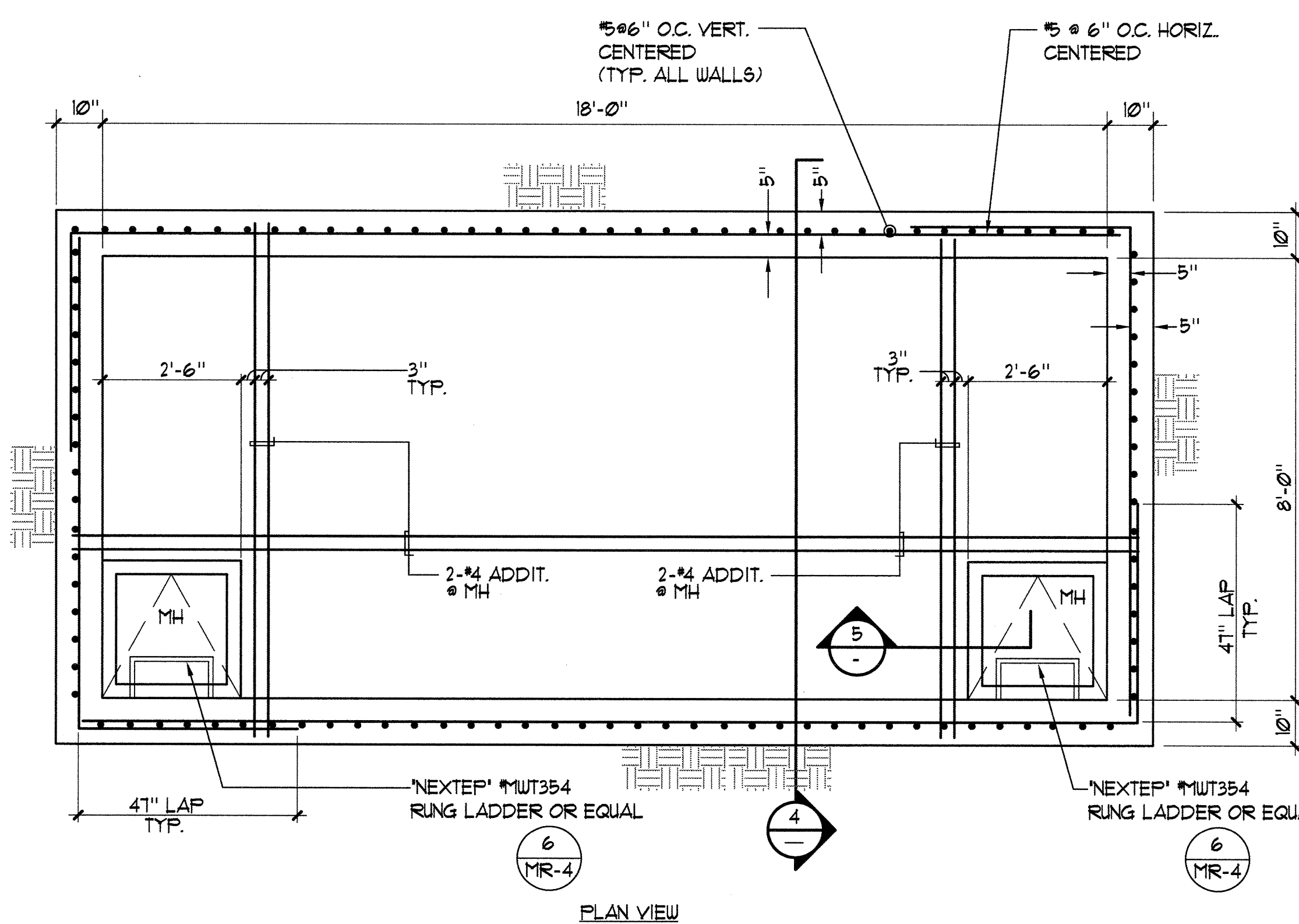
- THE MINIMUM ULTIMATE COMPRESSIVE STRENGTH AT 28 DAYS POOL = 3000 PSI SLAB-ON-GRADE = 3000 PSI MAX. WATER TO CEMENT RATIO = 0.55
- CONTINUOUS INSPECTION BY A D.S.A. APPROVED INSPECTOR IS REQUIRED OF ALL CONCRETE PLACEMENT.
- ALL CEMENT USED SHALL CONFORM TO A.S.T.M. C-150.
- FINE AND COARSE AGGREGATE SHALL CONFORM TO A.S.T.M. C-33. MAXIMUM SIZE OF AGGREGATE TO BE 1".
- CONCRETE MIX DESIGNS SHALL BE BASED UPON CBC SECTION 1905A.3.
- CONCRETE SHALL BE TESTED AND INSPECTED PER SECTION 1905A.6
- REMOVAL OF FORMS SHALL COMPLY WITH CBC SECTION 1906A.2
- ALL REINFORCING SHALL BE A.S.T.M. A-615, GRADE 60, UNLESS OTHERWISE NOTED TO BE GRADE 40. MIN. LAPS SHALL BE 14 BAR DIA.

SHOTCRETE NOTES:

- THE MINIMUM ULTIMATE COMPRESSIVE STRENGTH AT 28 DAYS POOL WALLS = 3000 PSI
- CONTINUOUS INSPECTION BY A D.S.A. APPROVED INSPECTOR IS REQUIRED OF ALL SHOTCRETE PLACEMENT.
- ALL CEMENT USED SHALL CONFORM TO A.S.T.M. C-150.
- FINE AND COARSE AGGREGATE SHALL CONFORM TO A.S.T.M. C-33. MAXIMUM SIZE OF AGGREGATE TO BE 3/8".
- SHOTCRETE MIX DESIGNS SHALL BE BASED UPON CBC SECTION 193A.2
- SHOTCRETE SHALL BE TESTED AND INSPECTED PER CBC SECTION 193A.5 AND 193A.10
- REBAR SHALL BE SECURELY TIED IN PLACE PRIOR TO PLACING OF SHOTCRETE.
- THE FILM OF LANTANCE WHICH FORMS ON THE SURFACE OF THE SHOTCRETE SHALL BE REMOVED WITHIN APPROXIMATELY TWO HOURS, AFTER APPLICATION BY BRUSHING WITH A STEE BROOM. IF THIS IS NOT REMOVED WITHIN TWO HOURS, IT SHALL BE REMOVED BY THOROUGH WIRE BRUSHING OR SAND BLASTING. CONSTRUCTION JOINTS OVER EIGHT HOURS OLD SHALL BE THOROUGHLY CLEANED WITH AIR AND WATER PRIOR TO RECEIVING SHOTCRETE.
- ALL REINFORCING SHALL BE A.S.T.M. A-615, GRADE 60, UNLESS OTHERWISE NOTED TO BE GRADE 40. MIN. LAPS SHALL BE 14 BAR DIA.
- SAMPLING SHALL BE PER CBC 1913A.10.1

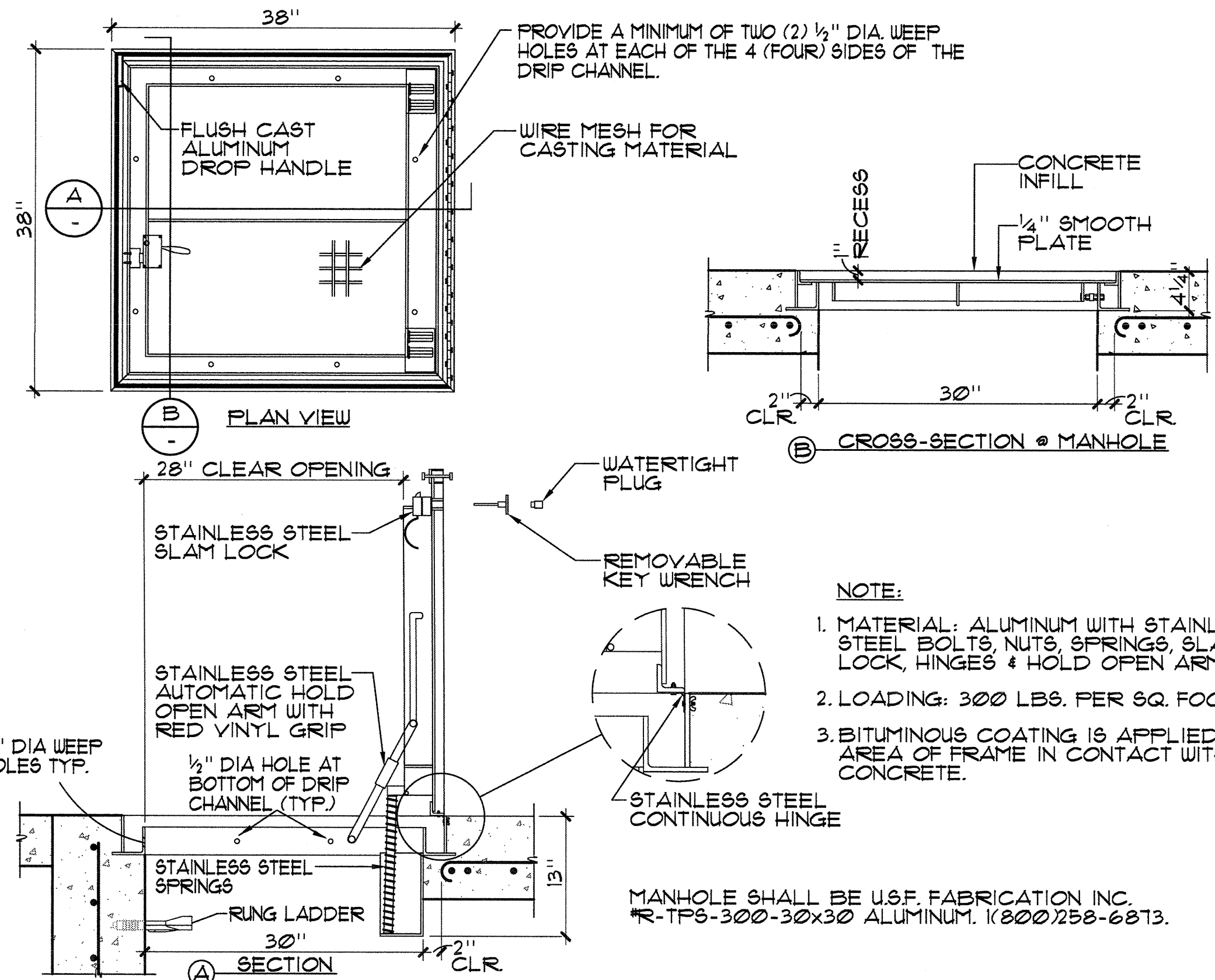


2 POOL WALL 7'-0" 3/4" = 1'-0"

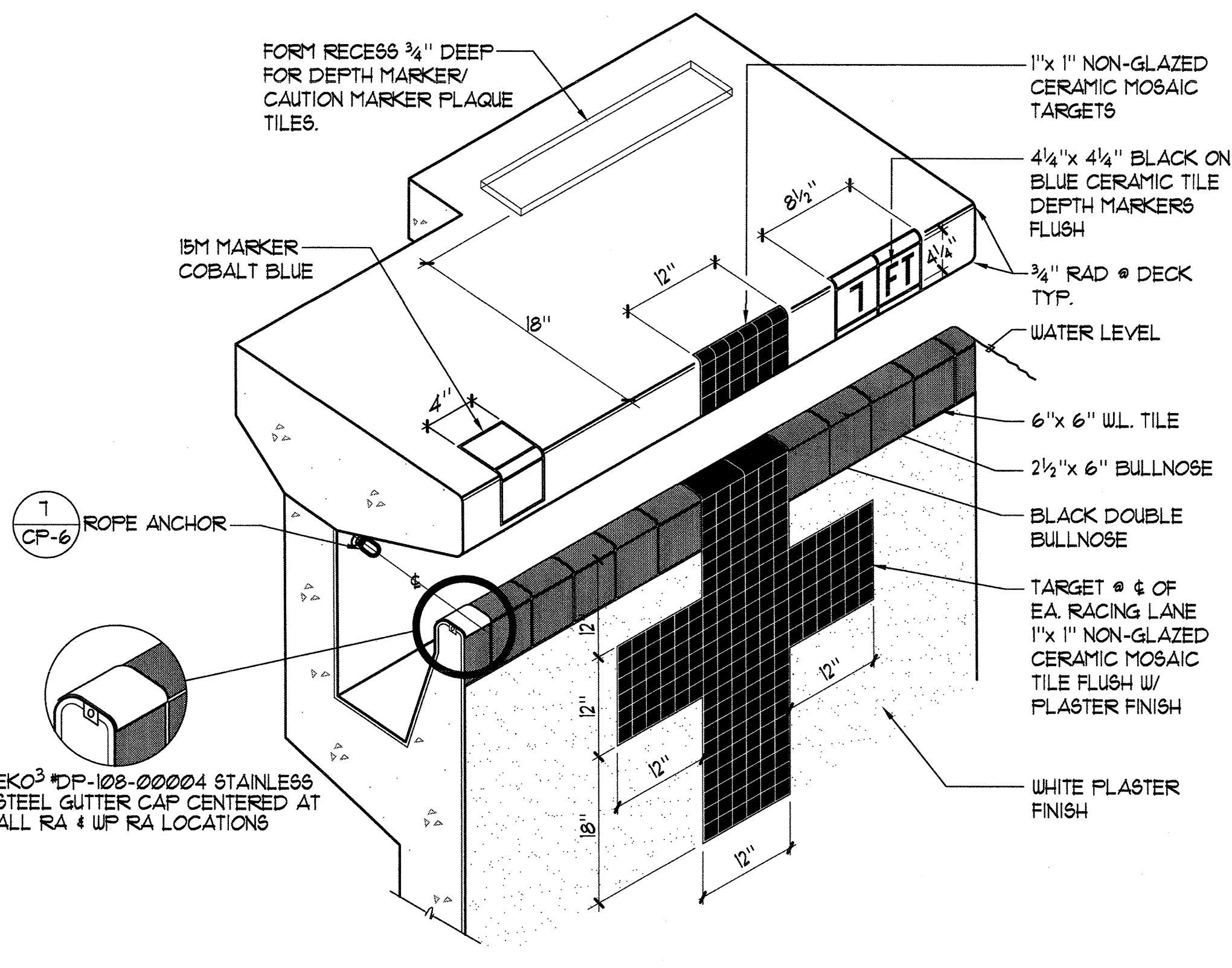


4 SURGE CHAMBER 1/2" = 1'-0"

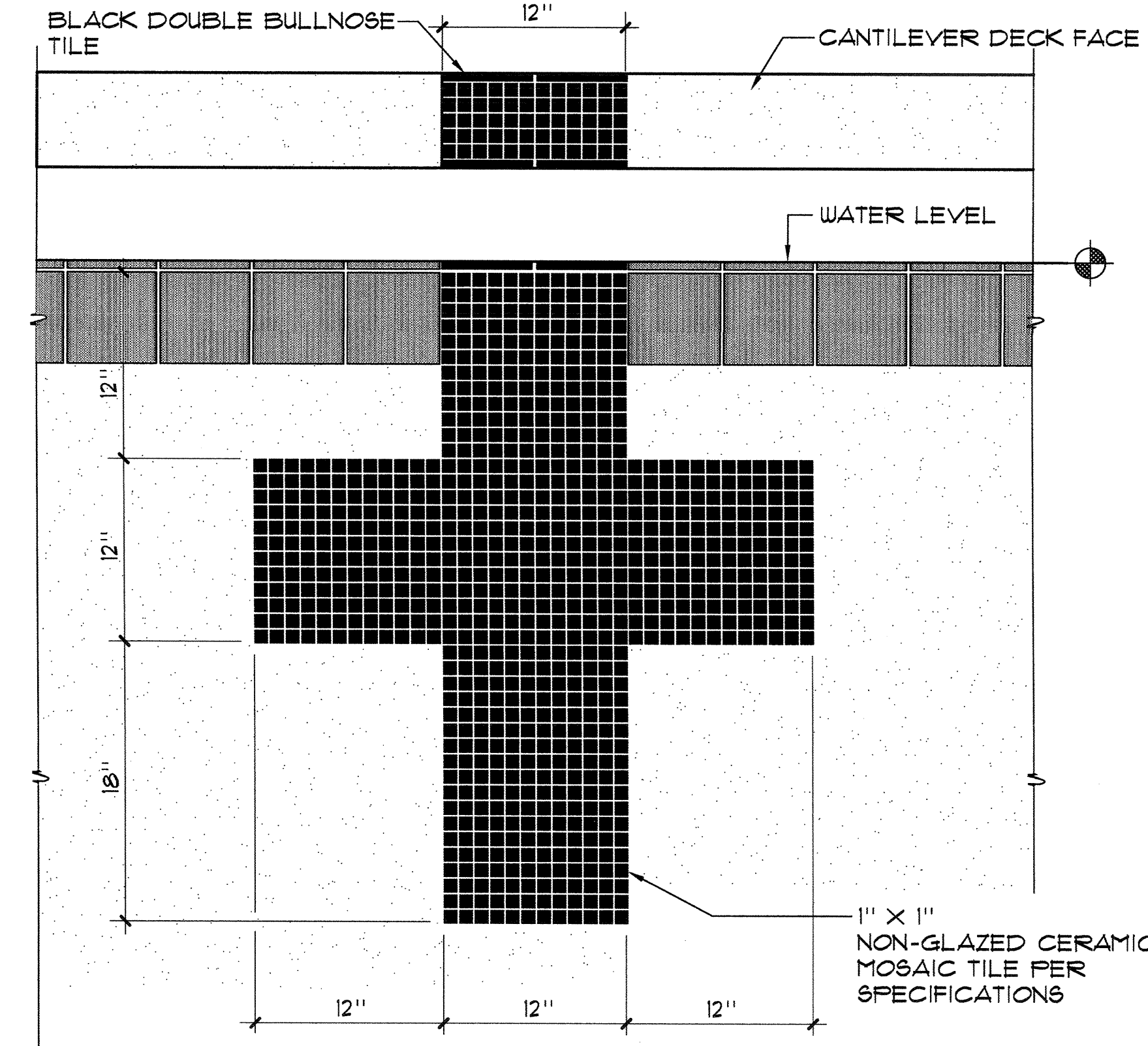
3 REINFORCEMENT TABLE



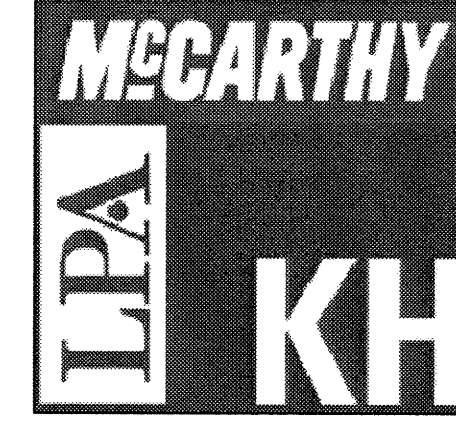
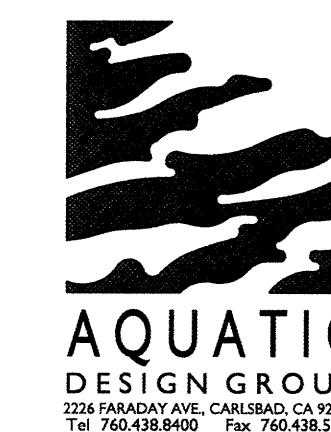
5 SURGE CHAMBER MANHOLE 1" = 1'-0"



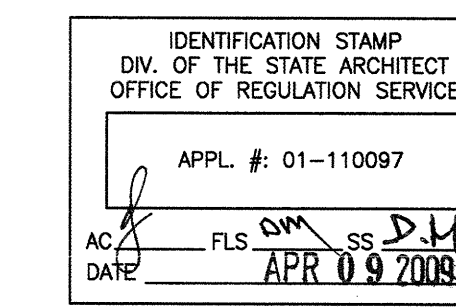
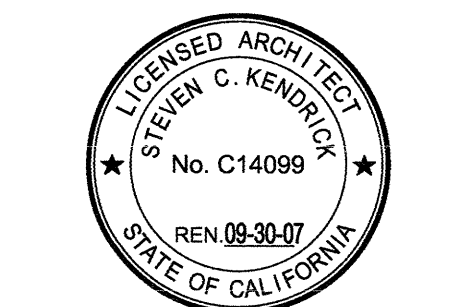
6 DEEP GUTTER PERSPECTIVE NO SCALE



7 END WALL TARGETS 1/2" = 1'-0"



McCarthy Building Companies, Inc.
343 Sansome Street, 14th Floor
San Francisco, California 94104
P 415 364-1339
F 415 397-5999



FILE NUMBER: 41-C1
The end of other project documents out of date, outdated and design incorporated herein are hereby disavowed. All project documents are the registered property of LPA, INC. LPA, INC. shall not be held liable for any errors or omissions in any project or design incorporated herein. LPA, INC. shall not be held liable for any errors or omissions in any project or design incorporated herein. LPA, INC. shall not be held liable for any errors or omissions in any project or design incorporated herein. LPA, INC. shall not be held liable for any errors or omissions in any project or design incorporated herein.

College of San Mateo
Site Package
San Mateo, CA
Developed for
San Mateo County Community College District

Date	Revision/Description
19 SEPT 2008	DSA SUBMITTAL
09 APRIL 2009	DSA FINAL

CP-5