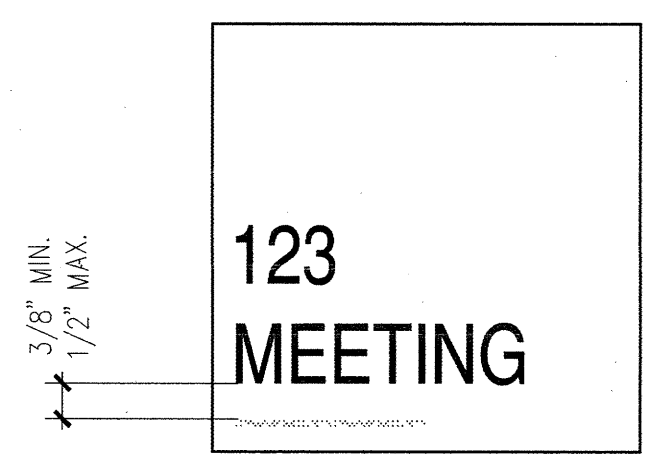




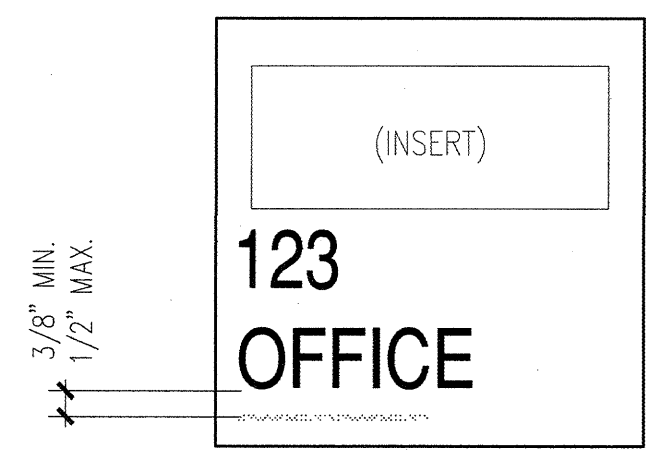
BLUE PLAQUE WITH INTERNATIONAL SYMBOL OF ACCESSIBILITY. SIZE VARIES WITH USE (PUBLIC BUILDING ENTRANCES, ASSIGNED WHEELCHAIR POSITIONS AND ACCESSIBLE LOCKERS).

ISA BUILDING ENTRANCE SIGN 6" x 3" DT-SIGNAGE 21



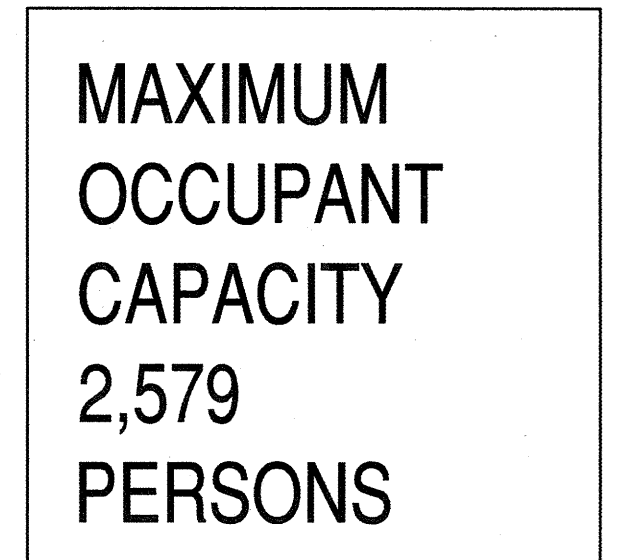
WALL PLAQUE WITH 5/8" TACTILE COPY, RAISED 1/32", AND CALIFORNIA GRADE 2 BRILLE, MOUNTED ON LATCH SIDE OF DOOR, 6" AWAY FROM FRAME AND 5'-0" ON CENTER A.F.F.

ROOM IDENTIFICATION SIGN 6" x 3" DT-SIGNAGE 22



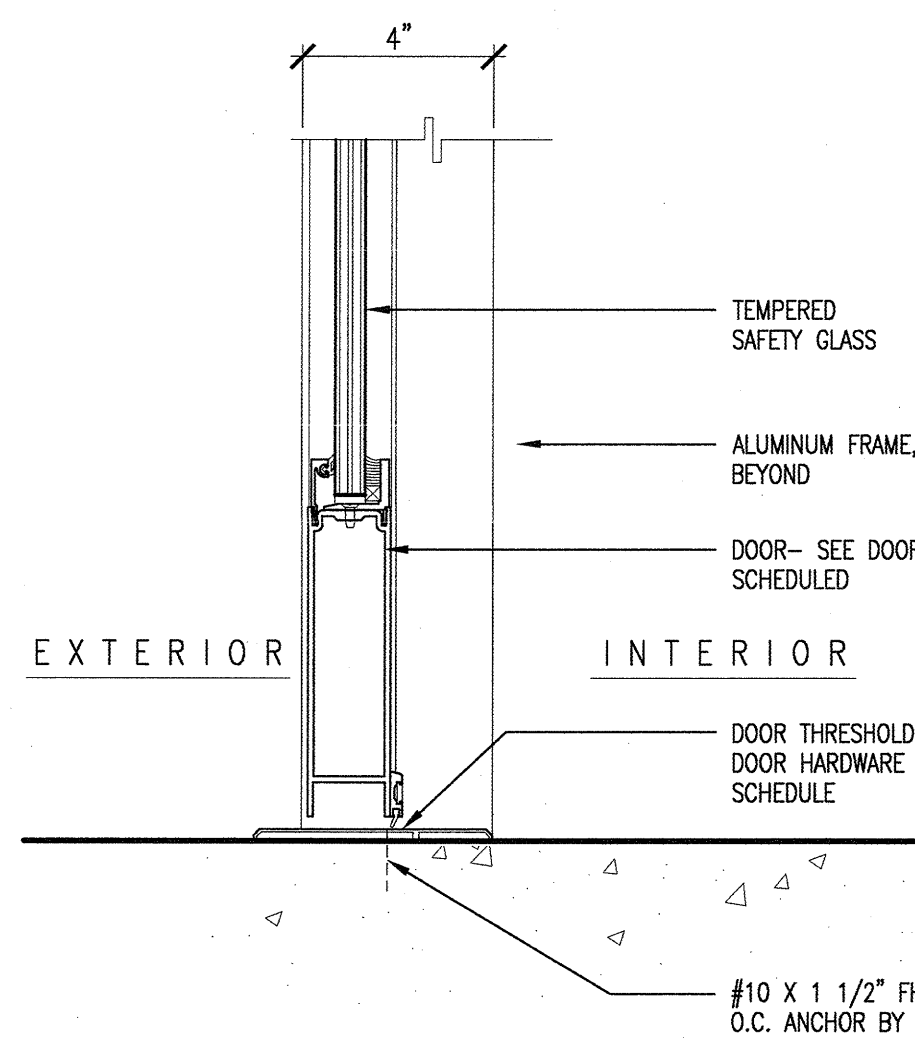
WALL PLAQUE WITH 5/8" TACTILE COPY, RAISED 1/32", AND CALIFORNIA GRADE 2 BRILLE, MOUNTED ON LATCH SIDE OF DOOR, 6" AWAY FROM FRAME AND 5'-0" ON CENTER A.F.F.

OFFICE IDENTIFICATION SIGN 6" x 3" DT-SIGNAGE 23

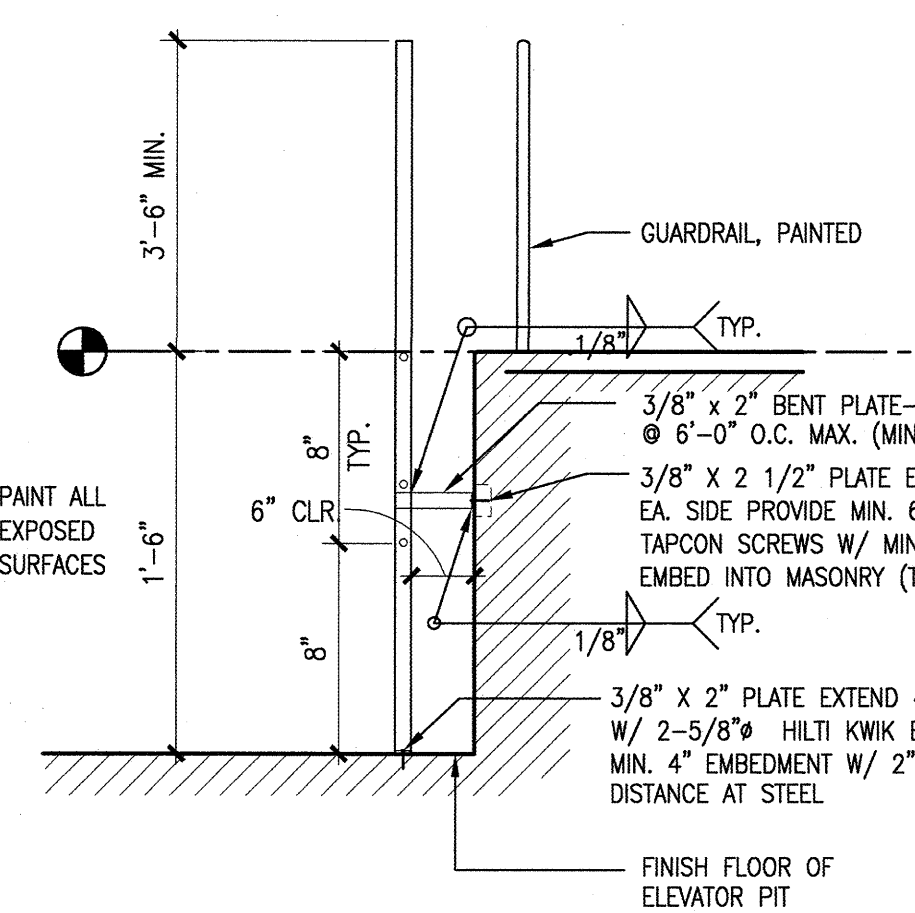


WALL PLAQUE SCREEN PRINTED 1-1/4" COPY

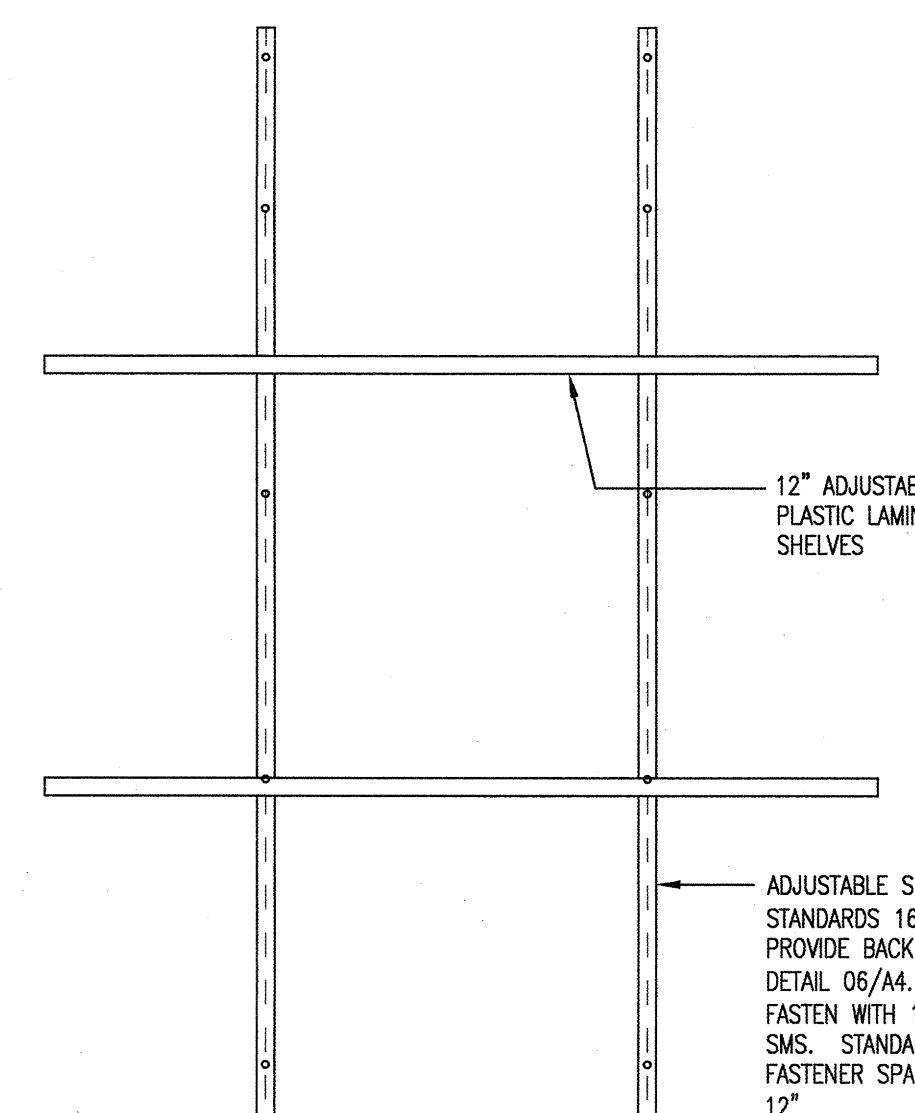
MAXIMUM OCCUPANCY SIGN 6" x 3" DT-SIGNAGE 24



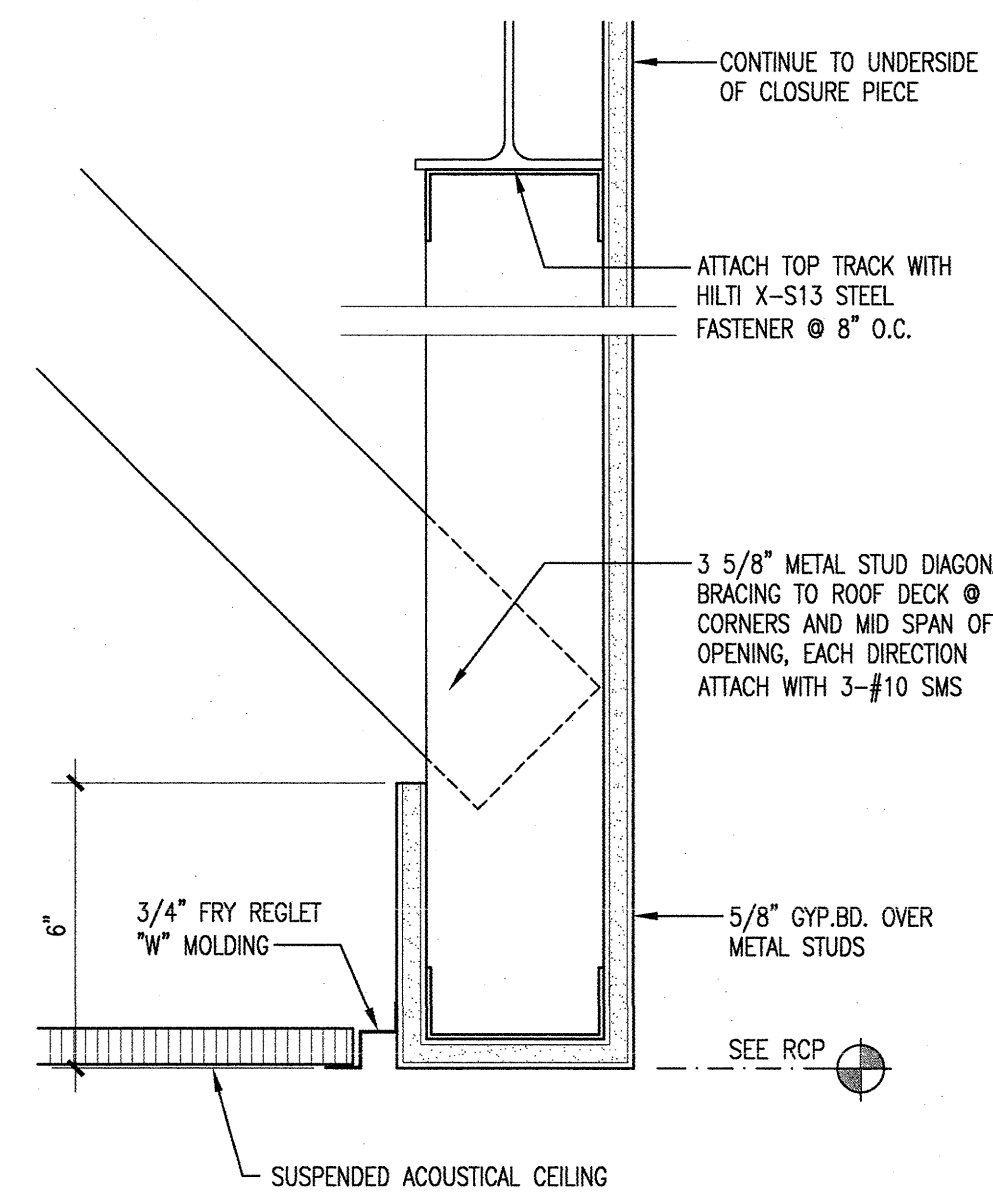
DOOR THRESHOLD - EXTERIOR 3" x 1-1/2" DT08DR03 18



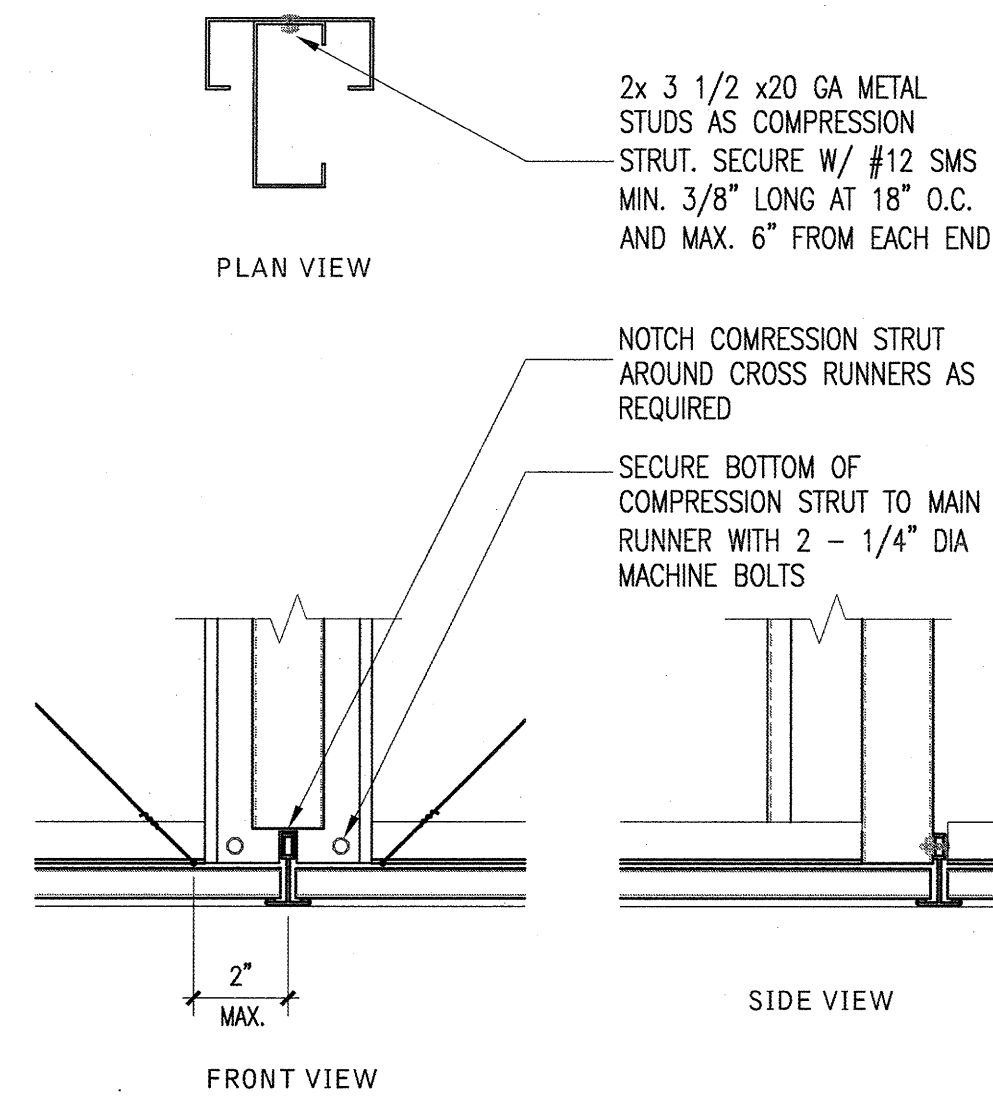
LADDER @ PUMP PIT 1-1/2" x 1-1/2" DT10EL07 19



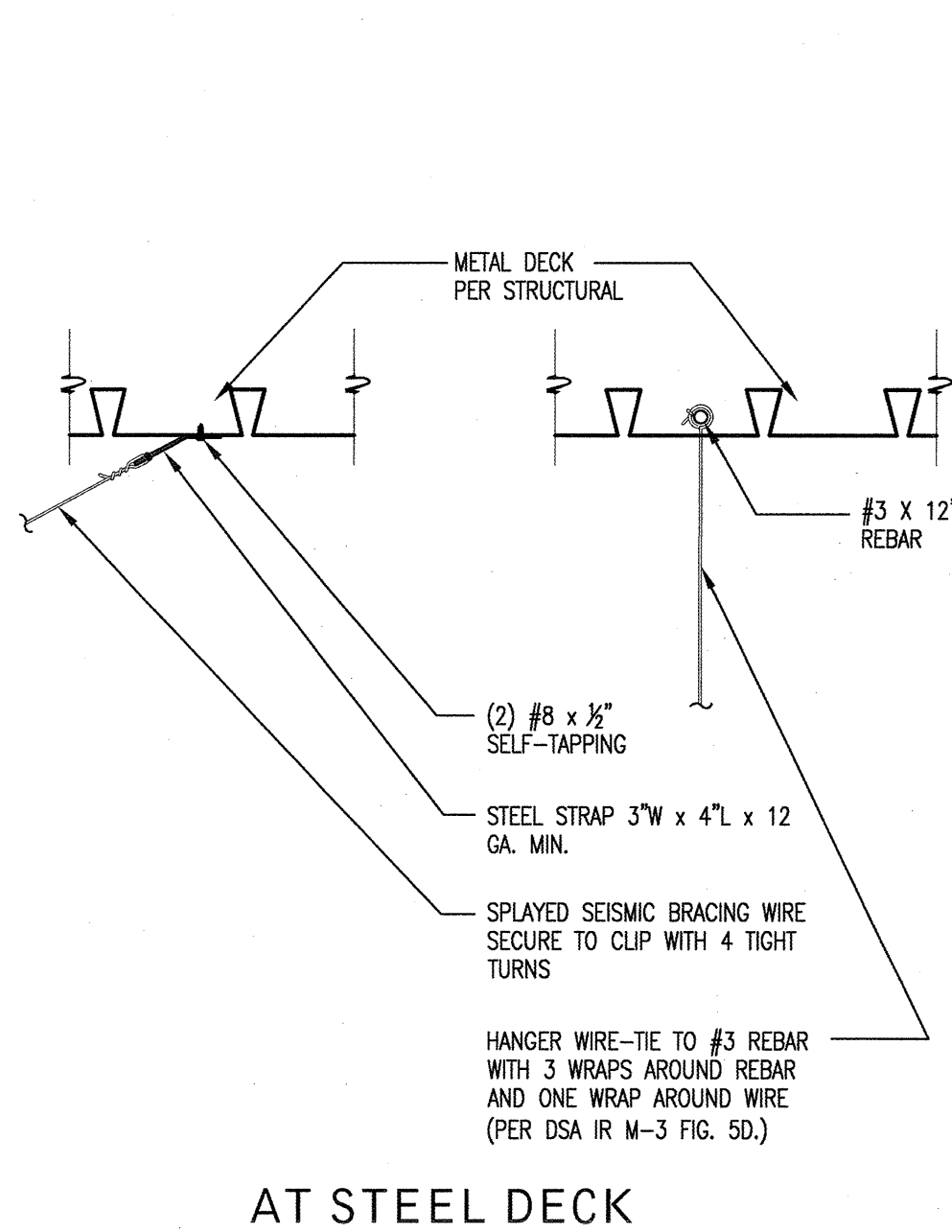
SHELVE STANDARD 1-1/2" x 1-1/2" shelves DT09RC12 20



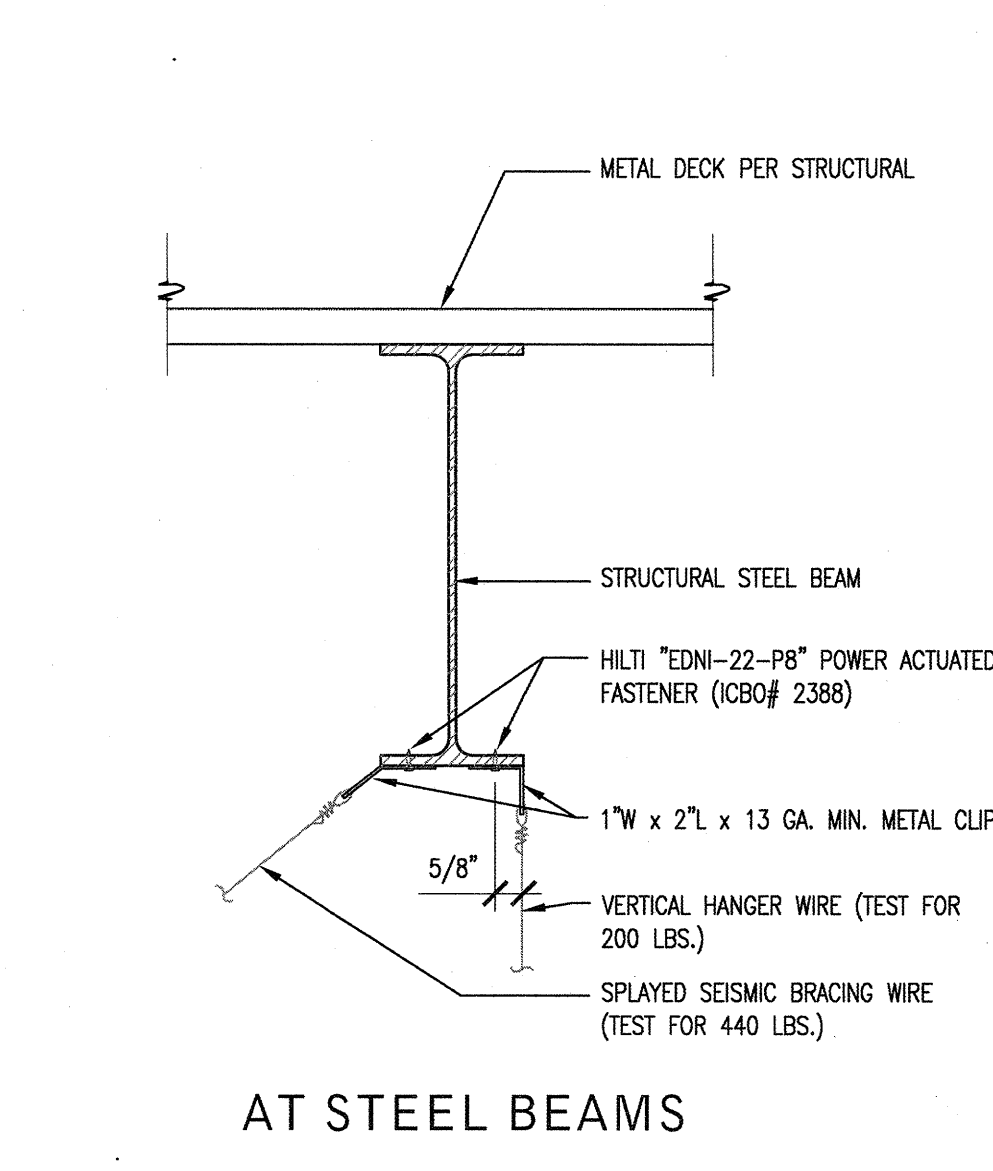
ROOF HATCH CEILING OPENING 3" x 1-1/2" DT08RC02 13



BOTTOM OF COMPRESSION STRUT 3" x 1-1/2" DT09RC09 14

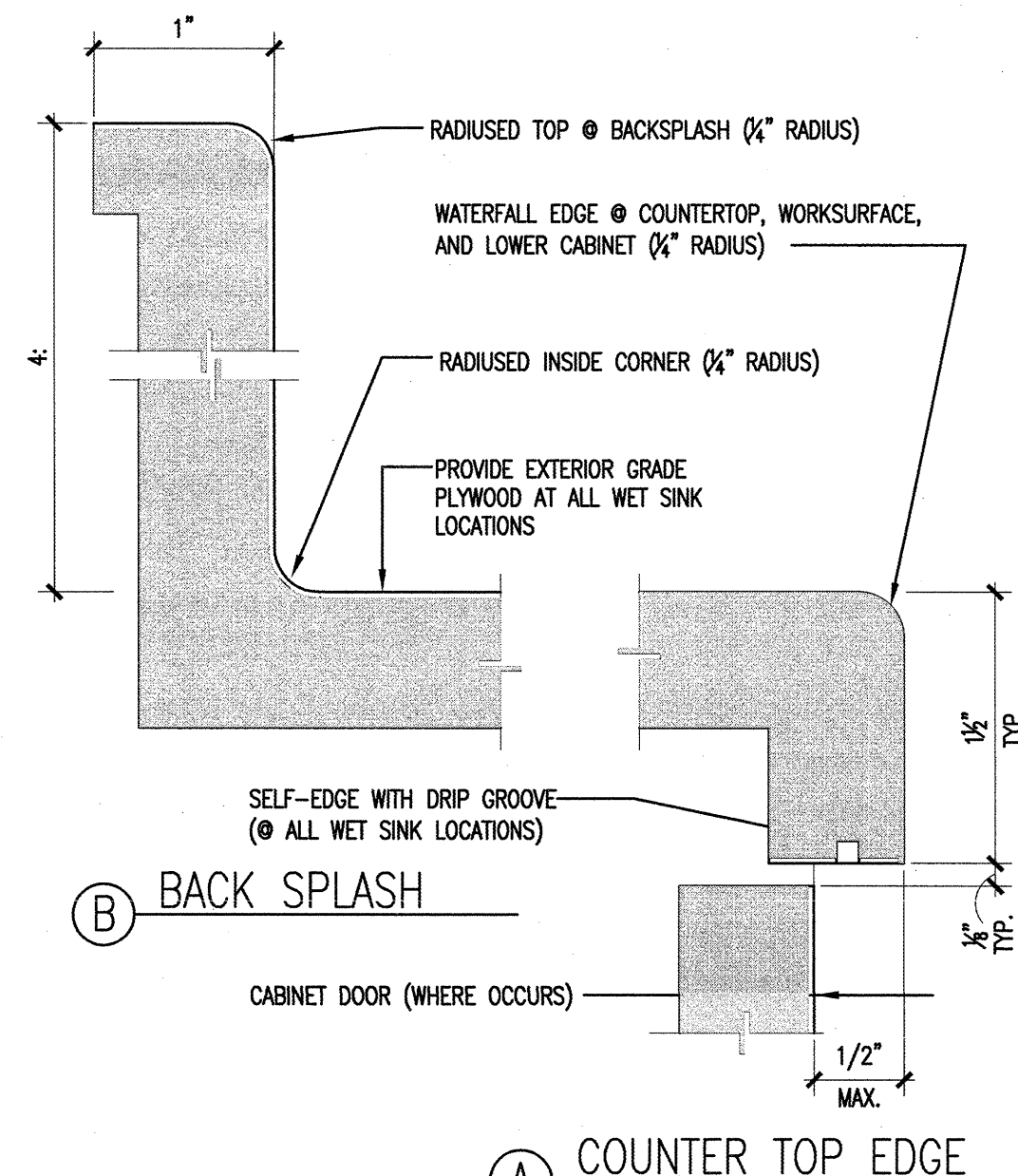


AT STEEL DECK

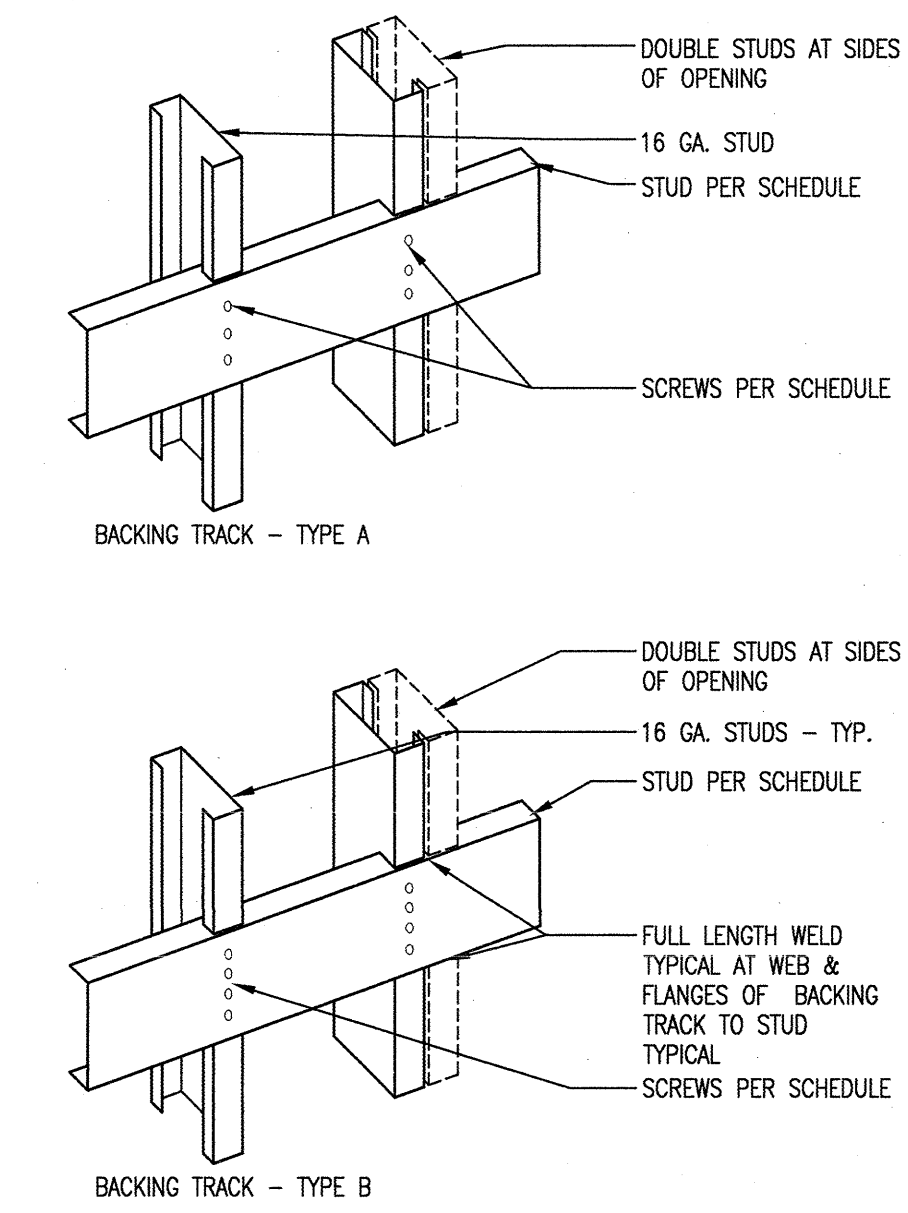


AT STEEL BEAMS

SPLAY WIRE CONNECTION 1 1/2" x 1" DT09RC19 16



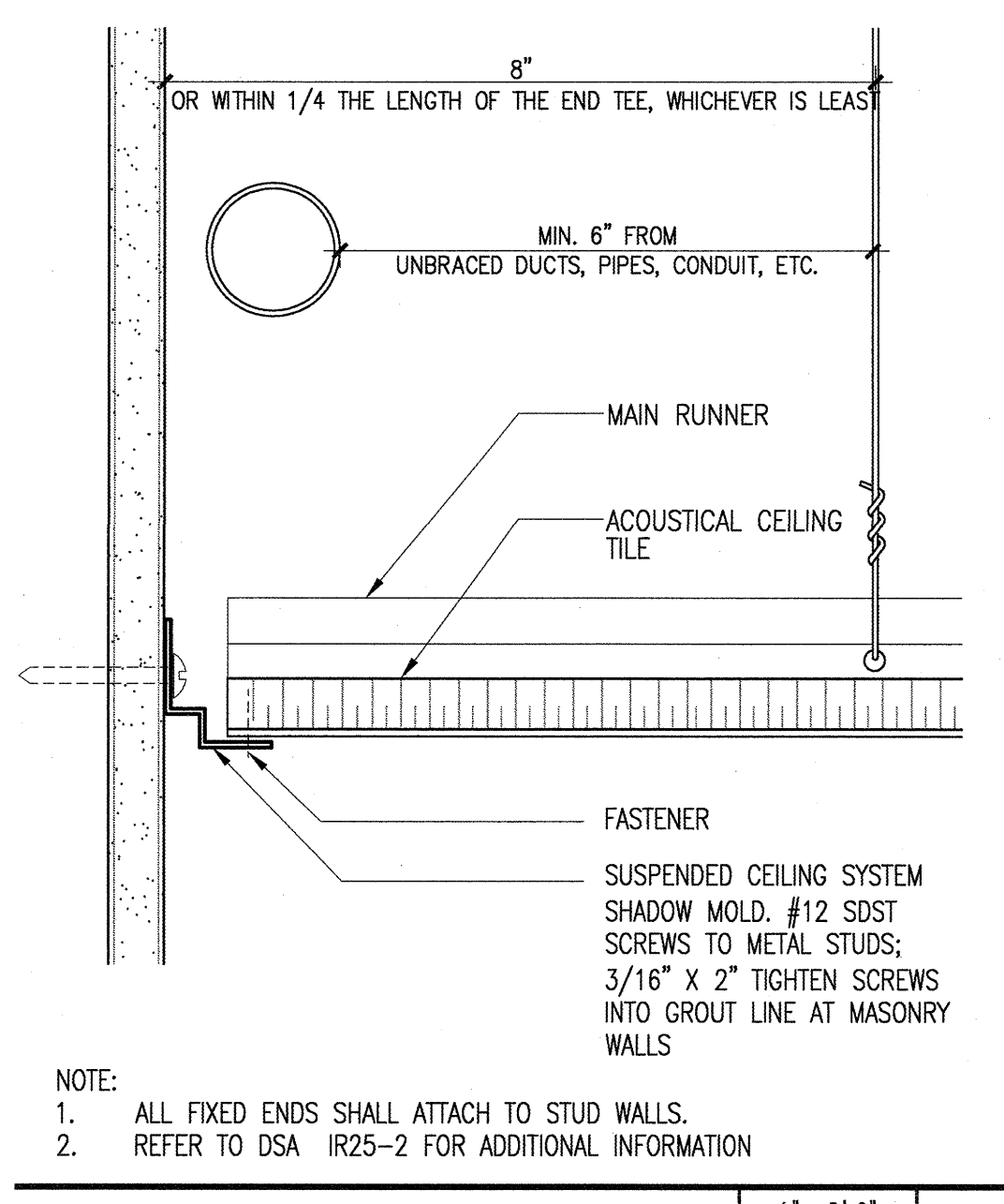
TYPICAL PLASTIC LAMINATE BACKSPLASH & COUNTERTOP EDGES FULL DT06W012 09



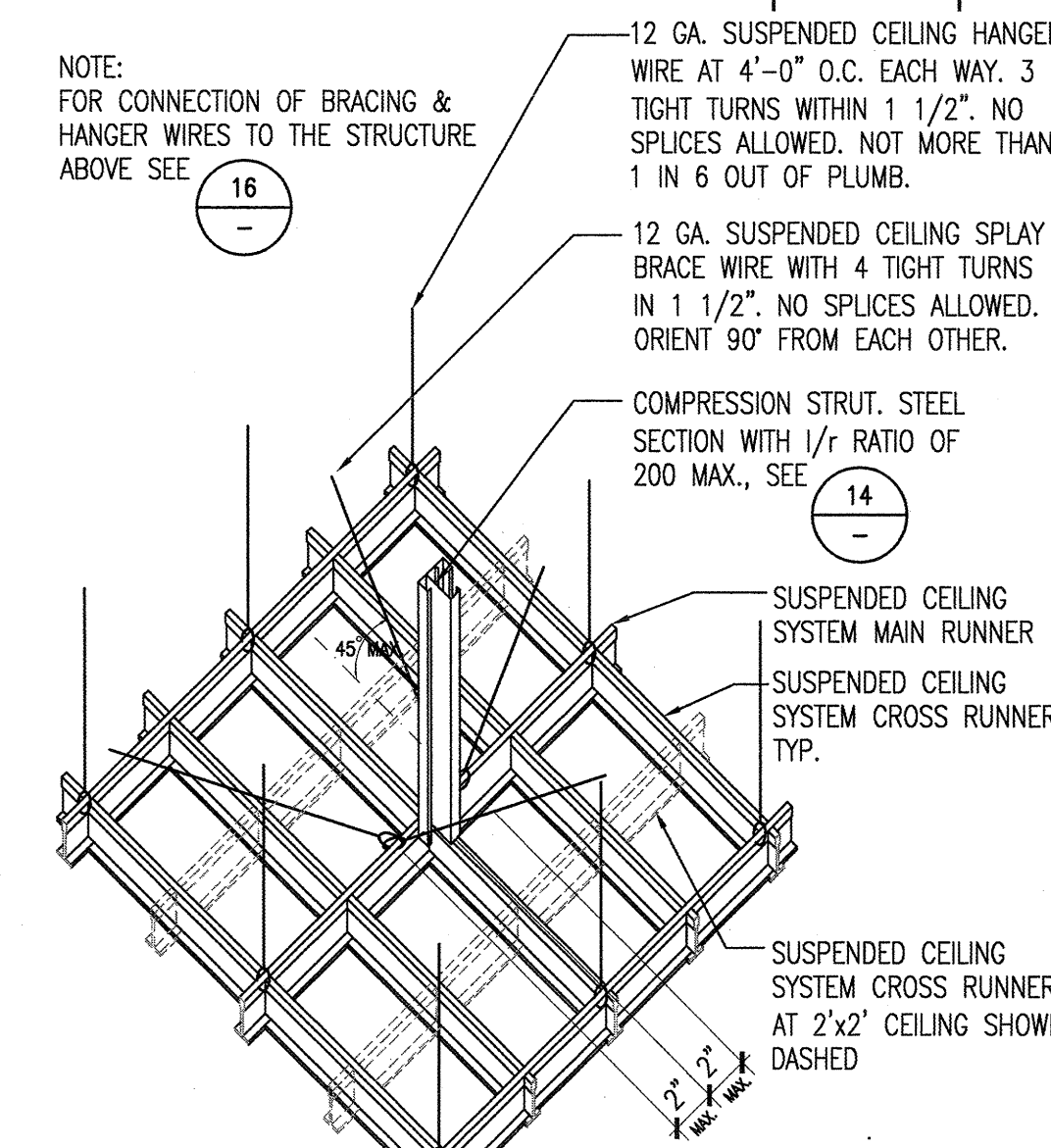
	BACKING TRACK	SCREWS
MIRROR	6 X 16 GA. STUD	(3) #10 TEK SCREWS
CASEWORK	6 X 14 GA. STUD	(4) #10 TEK SCREWS
HAND RAIL GRAB BAR	6 X 14 GA. STUD	(4) #10 TEK SCREWS

- BACKING TRACK NOTES:
- BACKING TRACK TYPE "A" - FOR MISCELLANEOUS ITEMS I.E. SURFACE MOUNTED MIRRORS, WASTE RECEPTACLES, TOWEL DISPENSERS, ETC., MAXIMUM WEIGHT - 50 POUNDS.
  - BACKING TRACK TYPE "B" - FOR UPPER WALL-HUNG CABINETS (UP TO 2 SHELVES), BASE CABINETS, FULL HEIGHT CABINETS, FILM VIEWING COUNTER, WALL-HUNG BENCHES, HANDRAILS, GUARDRAILS, GRAB BARS, WALL-HUNG EQUIPMENT, TOWEL BARS, ETC., MAXIMUM WEIGHT 250 POUNDS.
  - VERIFY LENGTH, HEIGHT, LOCATION OF BACKING PLATE & NUMBER REQUIRED WITH EQUIPMENT MANUFACTURERS.
  - USE #12 SELF TAPPING SHEET METAL SCREWS WHEN ATTACHING ITEMS TO BACKING PLATE.
  - WALL STUD FLANGES ARE CONTIGUOUS.
  - BACKING TRACKS SHALL BE LONGER THAN HUNG EQUIPMENT/ACCESSORY/CABINET BY ONE STUD SPACING EA. END-ALL CONDITIONS.

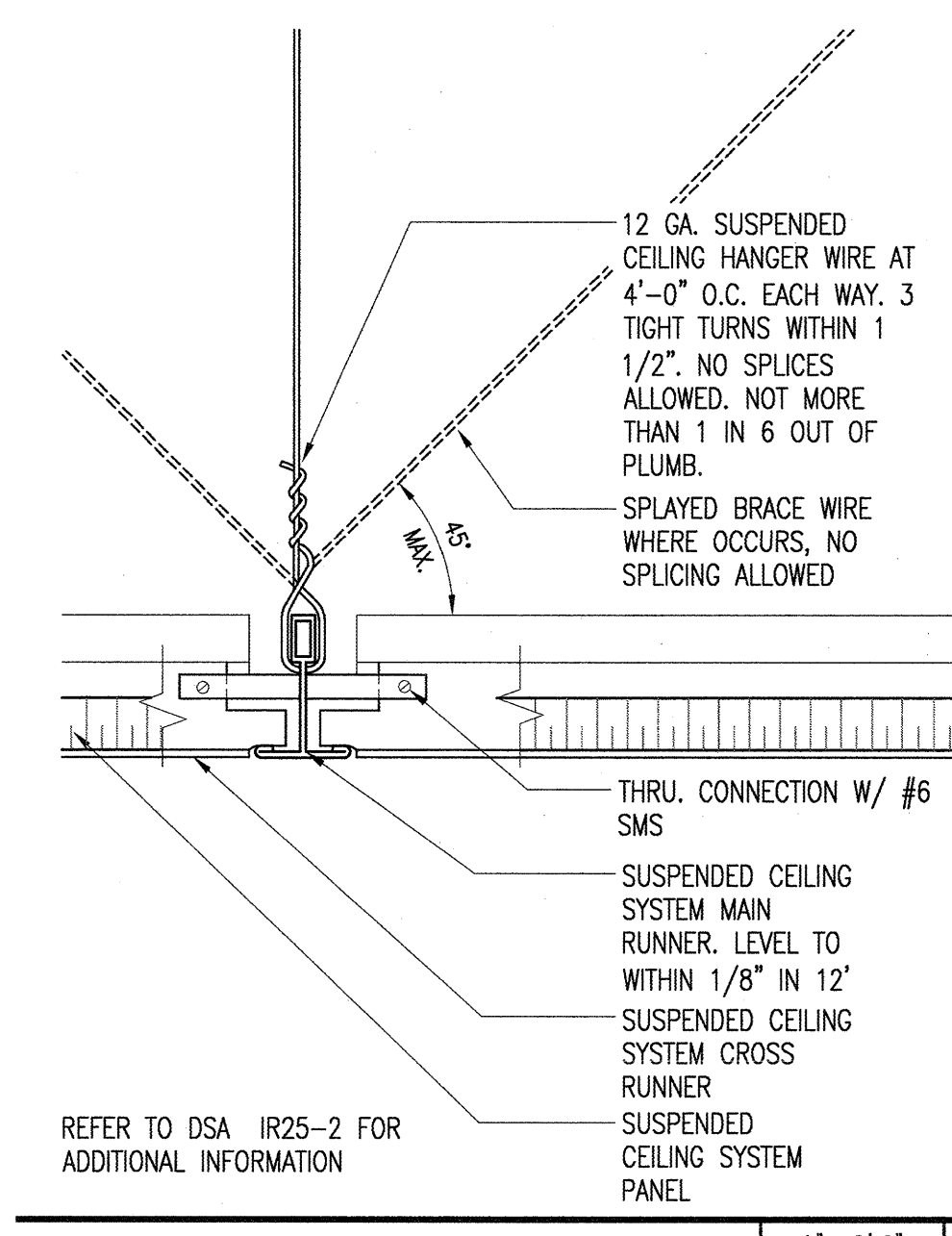
BACKING TRACK 3/8" x 1-1/2" DT05W044 06



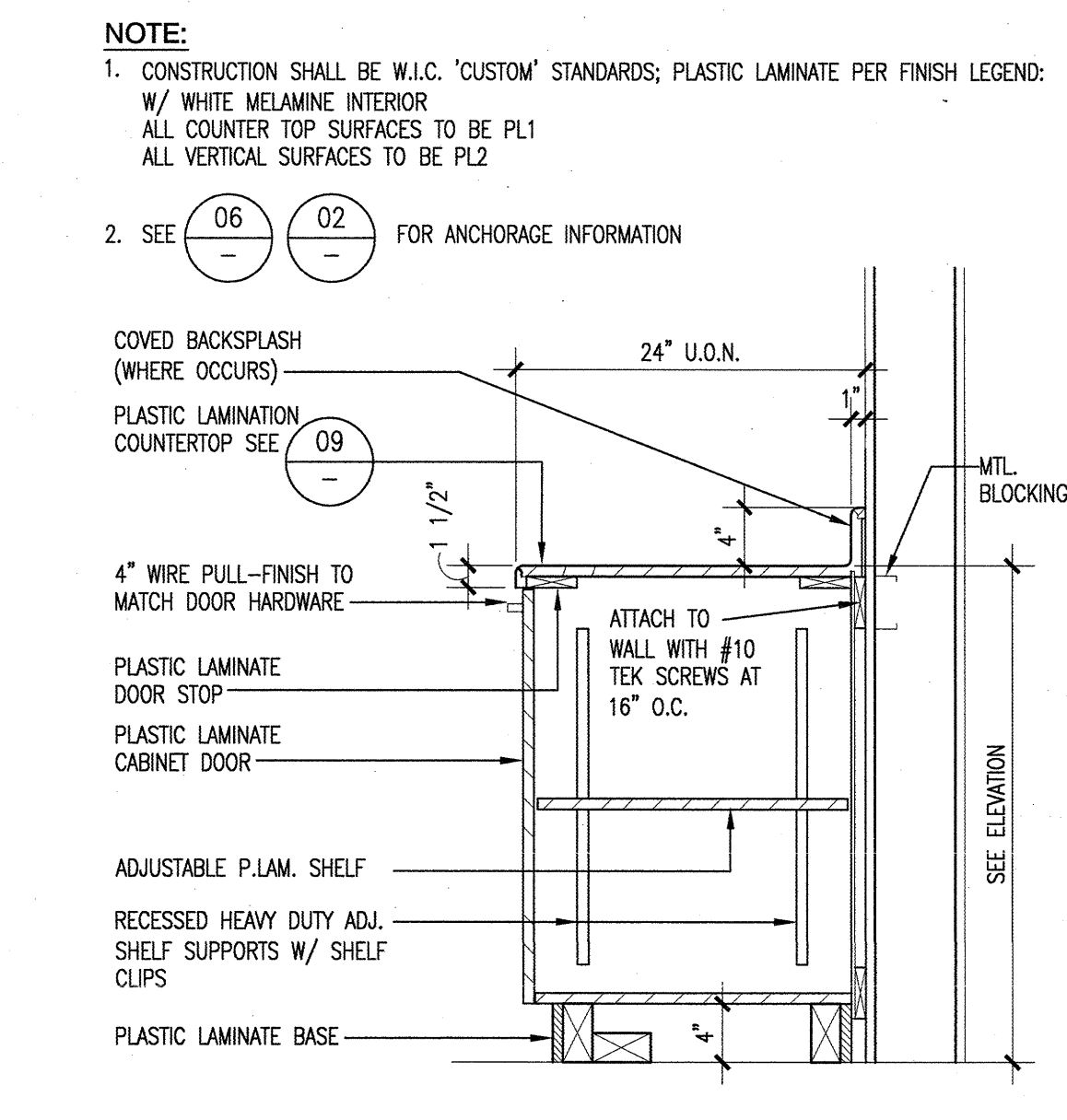
CEILING @ CONNECTED WALL 6" x 1-1/2" DT09RC12 11



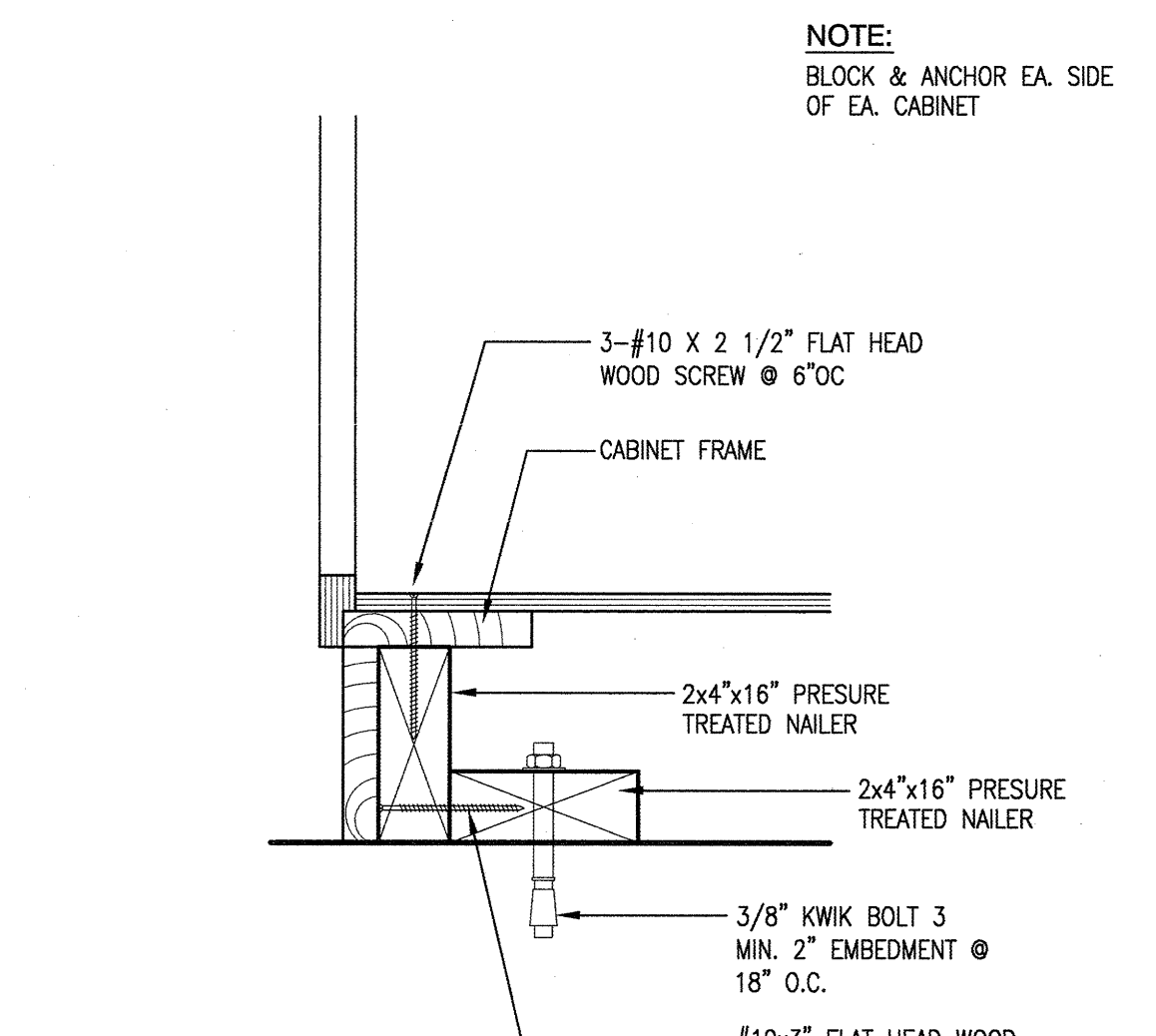
SPLAY BRACING DETAIL 1/8" x 1-1/2" DT09RC16 12



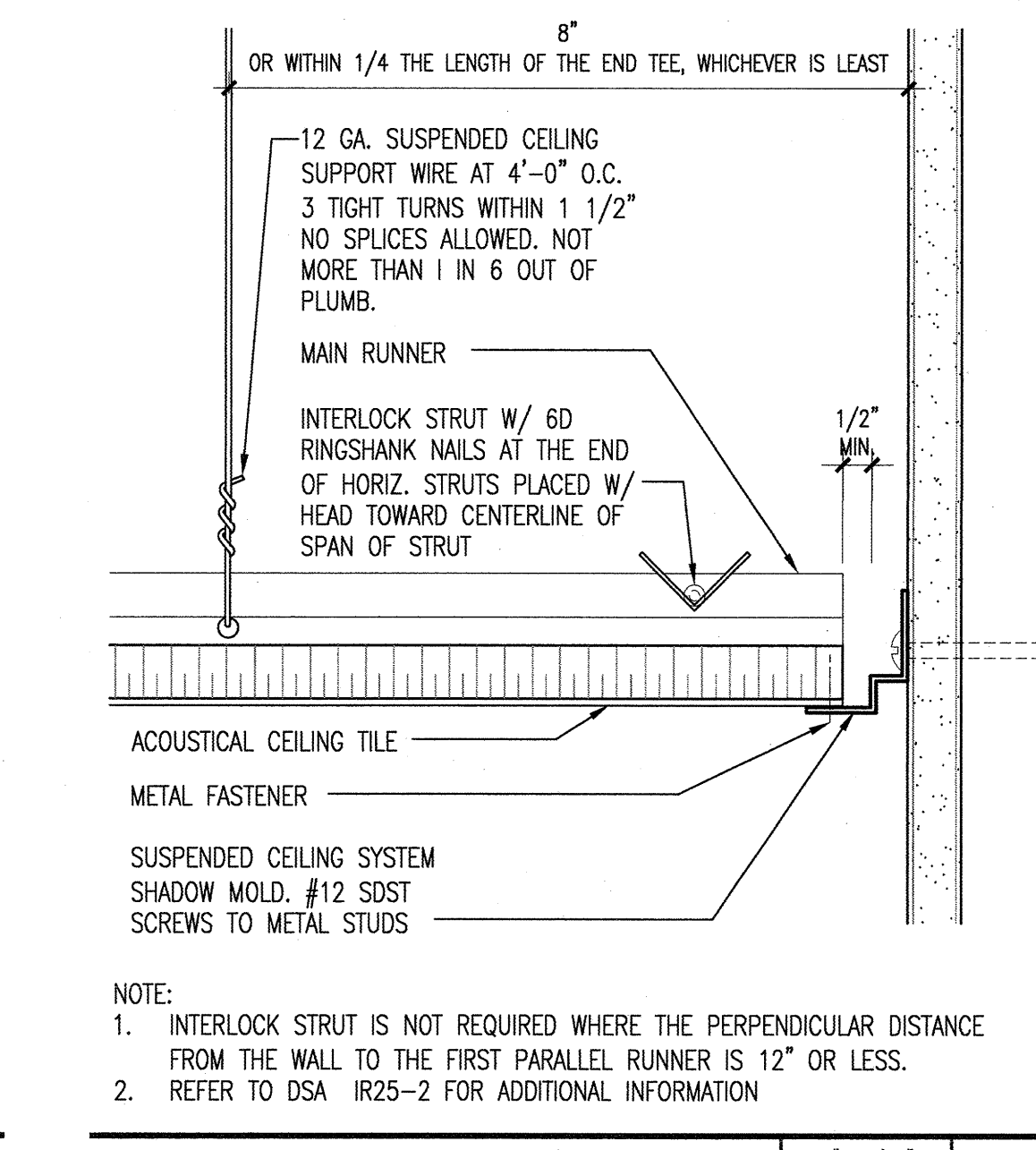
TYPICAL HANGER WIRE 6" x 1-1/2" DT09RC08 07



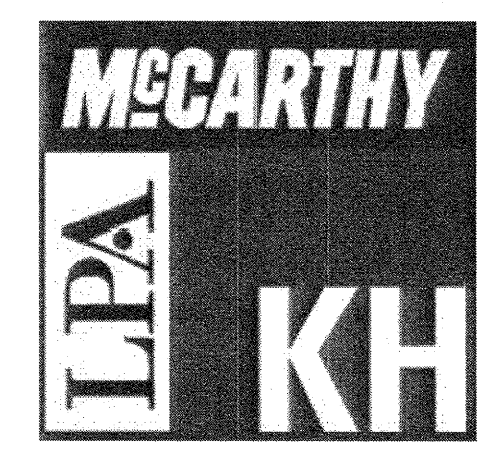
LOWER CABINET 1" x 1-1/2" DT06M104 01



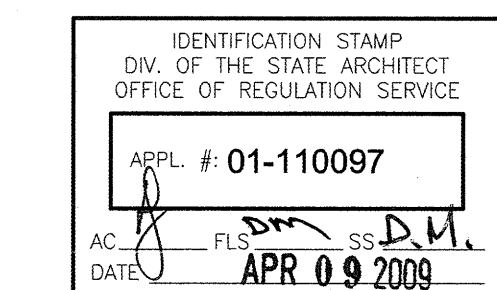
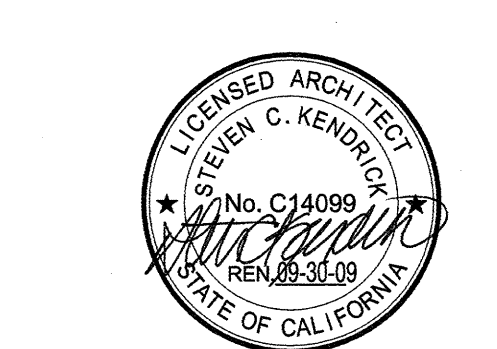
CABINET ANCHORAGE 3" x 1-1/2" DT06W008 02



CEILING @ WALL SLIP 6" x 1-1/2" DT09RC04 03



McCarthy Building Companies, Inc.  
343 Sansome Street, 14th Floor  
San Francisco, California 94104  
P 415 364-1339  
F 415 397-5999



This and all other project documents are the property of LPA, Inc. and shall remain the property of LPA, Inc. until such time as they are returned to LPA, Inc. in full. No part of this project or portion thereof may be reproduced, stored in a retrieval system, or transmitted in any form or by any means, electronic, mechanical, photocopying, recording, or by any information storage and retrieval system, without the prior written permission of LPA, Inc. LPA, Inc. shall not be held responsible for any errors or omissions in this document or any drawings or specifications prepared by any third party.

College of San Mateo  
Site Package  
San Mateo, CA

Date	Description
19 SEPT 2008	DSA SUBMITTAL
02 APRIL 2009	DSA FINAL

Date	Description
19 SEPT 2008	DSA SUBMITTAL
02 APRIL 2009	DSA FINAL

Job No.	FILED IN 27082.20 27082.30
Date	09 APRIL 2009
Drawn by	HE
Checked by	JR
Scale	AS SHOWN

DETAILS  
A4.12