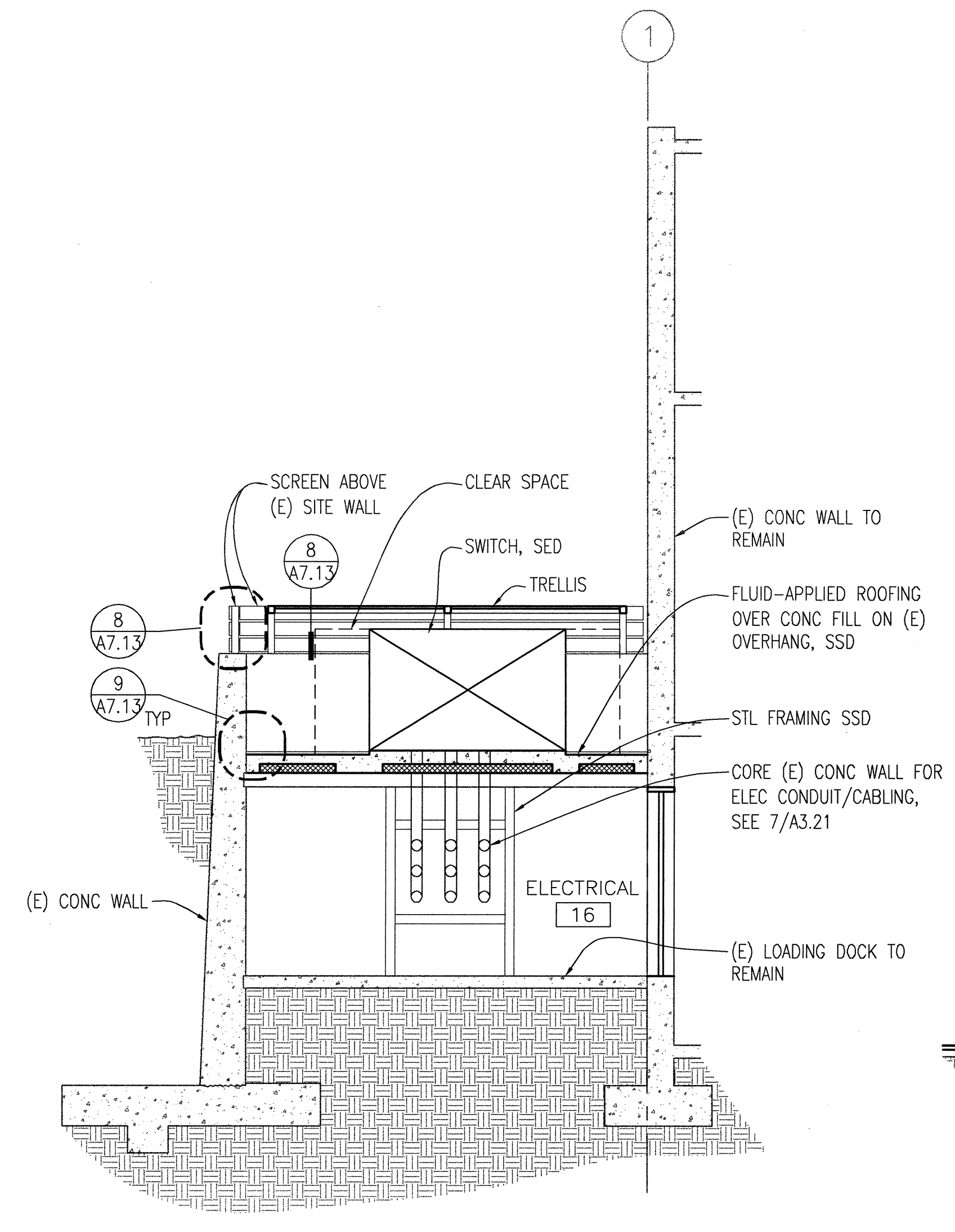
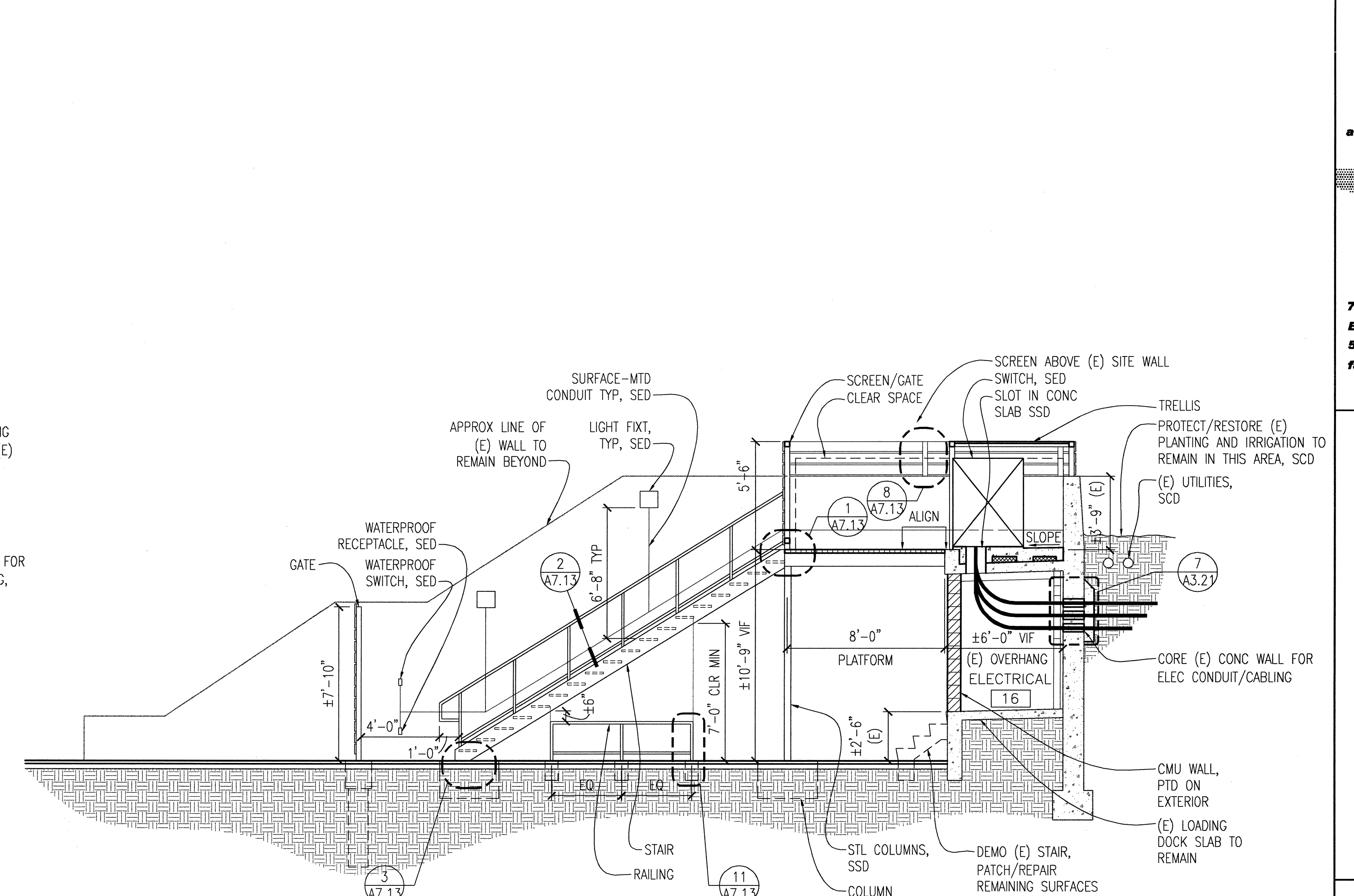


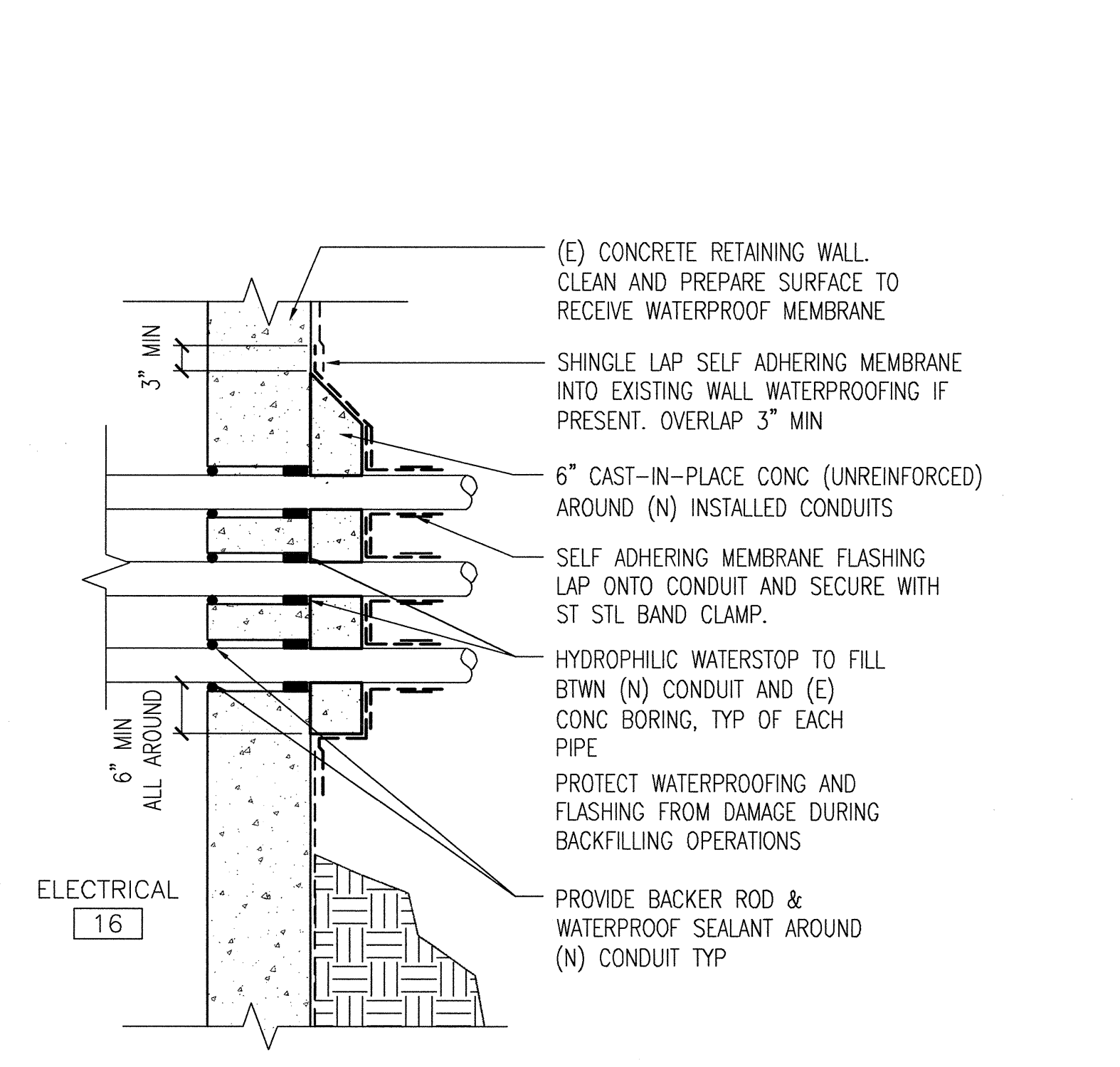
3 BLDG 16 - EXTERIOR ELEVATION
A3.21 1/4" = 1'-0"



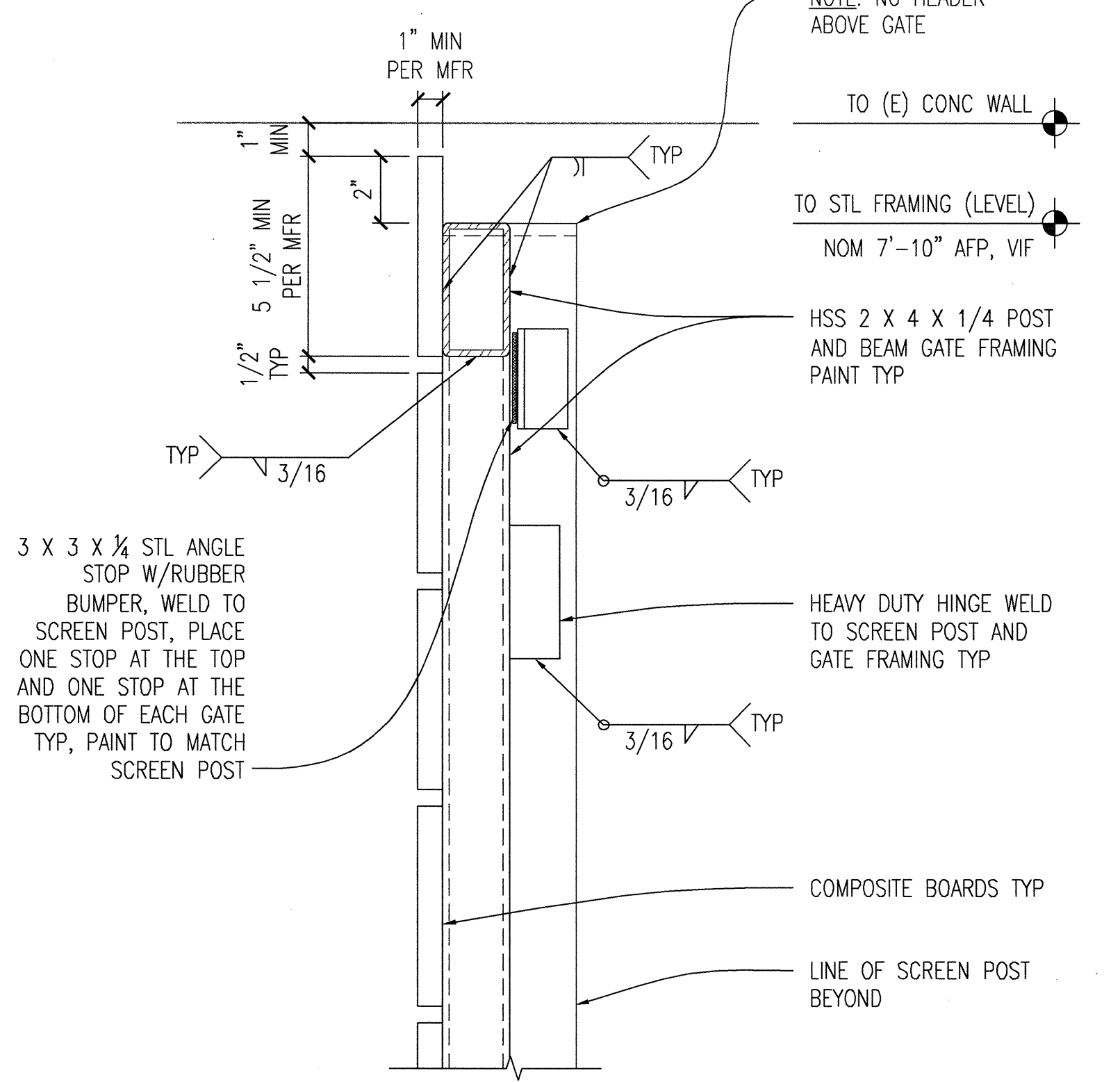
2 BLDG 16 - SECTION
A3.21 1/4" = 1'-0"



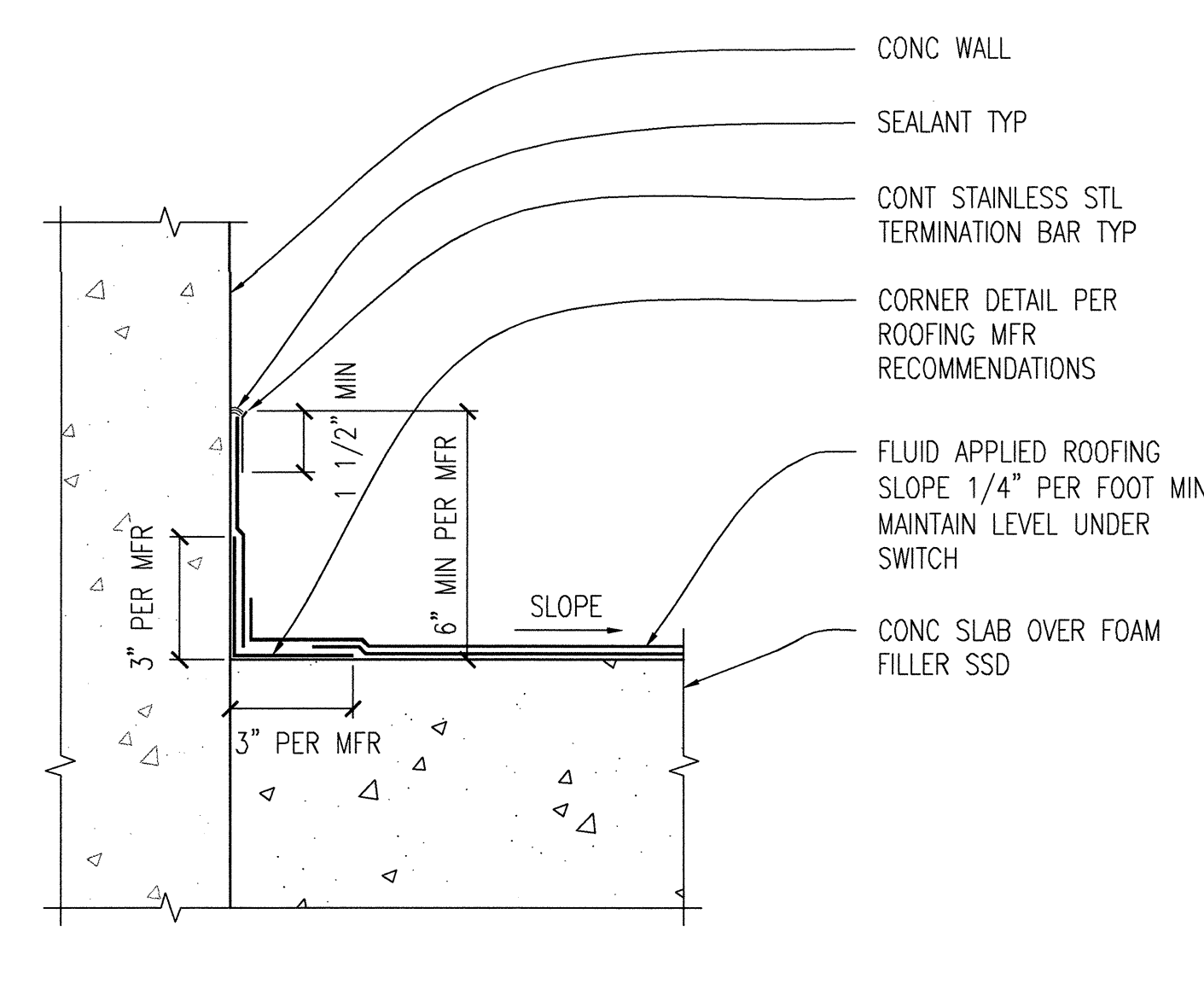
1 BLDG 16 - SECTION
A3.21 1/4" = 1'-0"



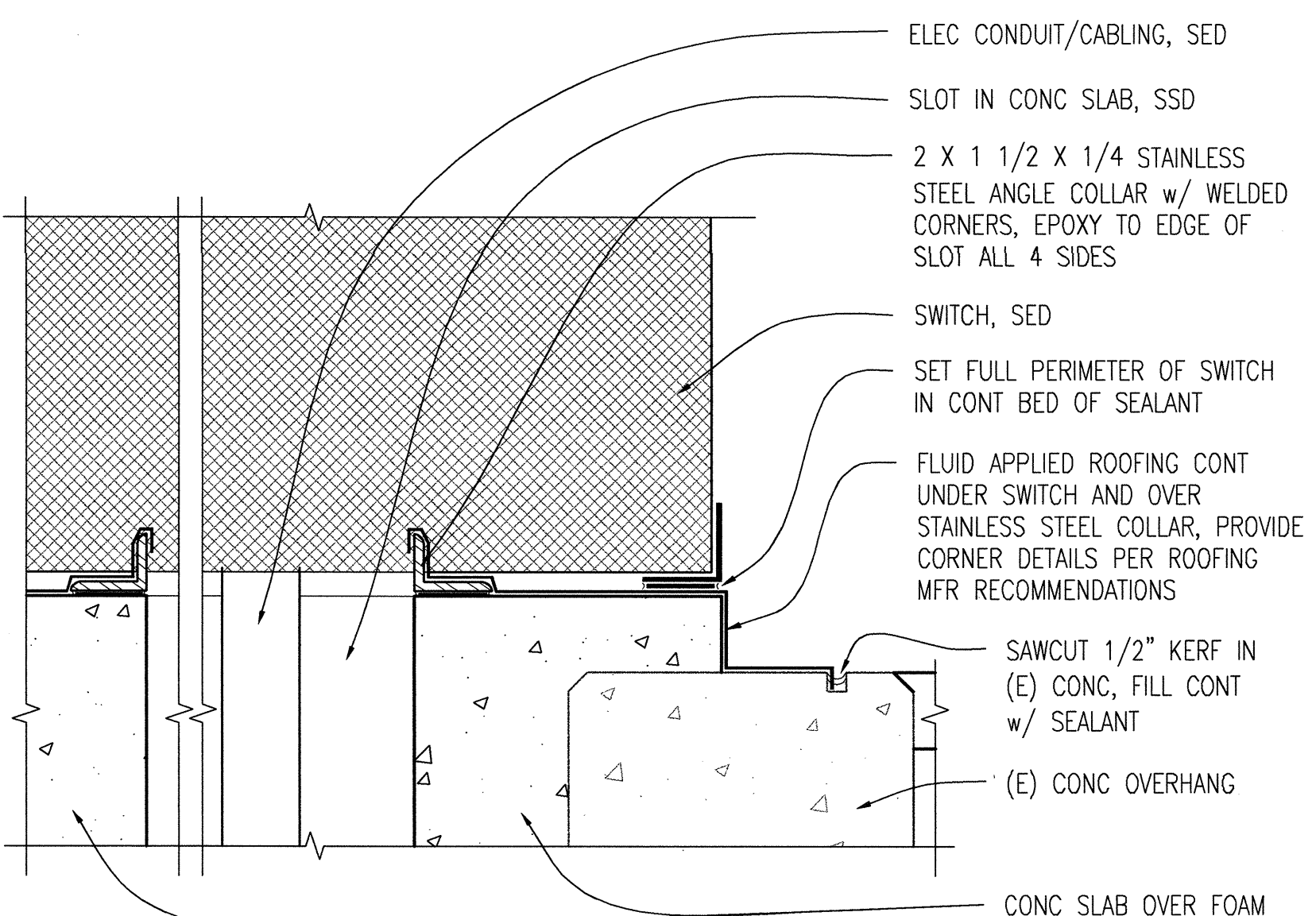
7 WATERPROOFING - ELECTRICAL ROOM 16
A3.21 3/4" = 1'-0"



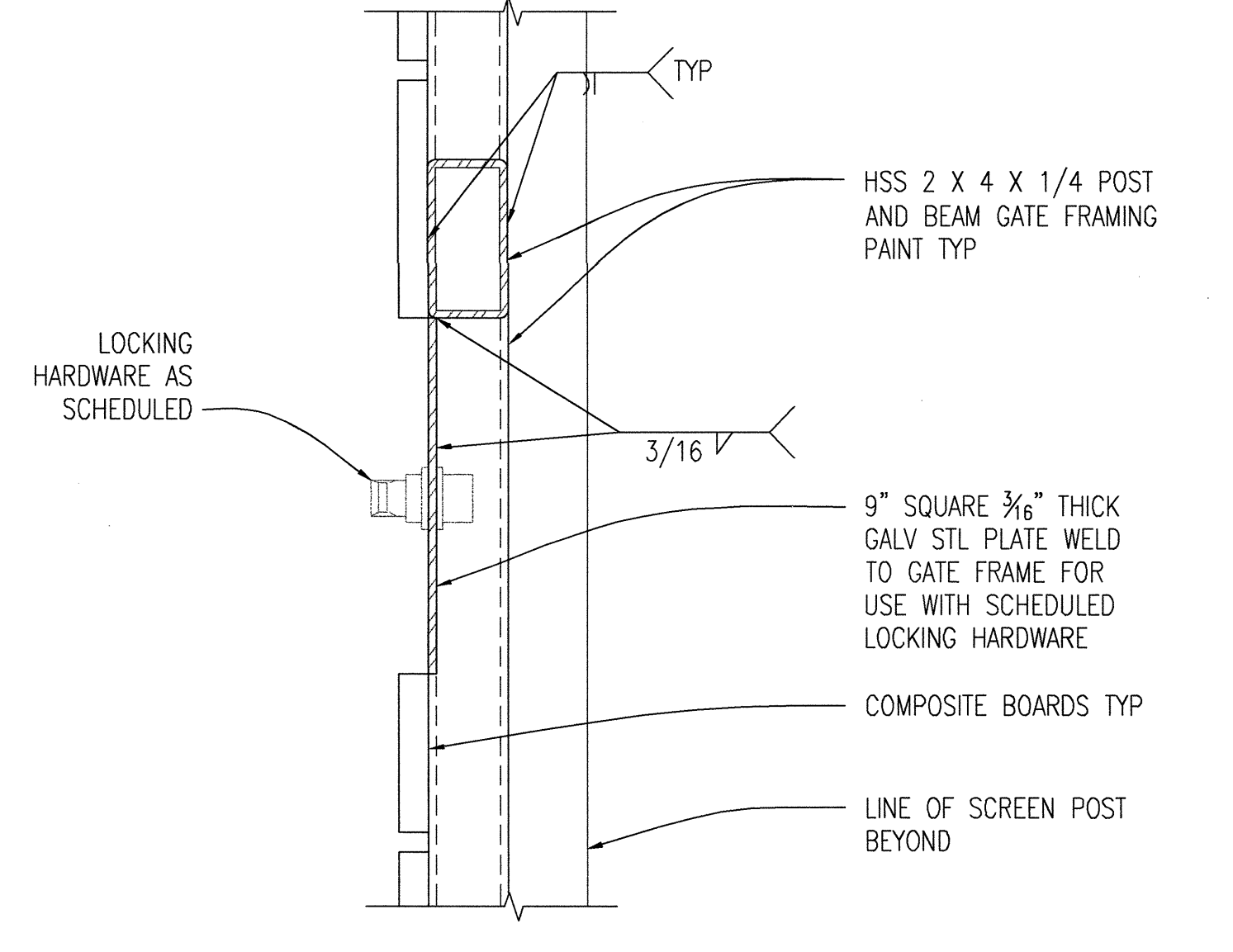
5 TOP OF SCREEN GATE DETAIL
A3.21 3" = 1'-0"



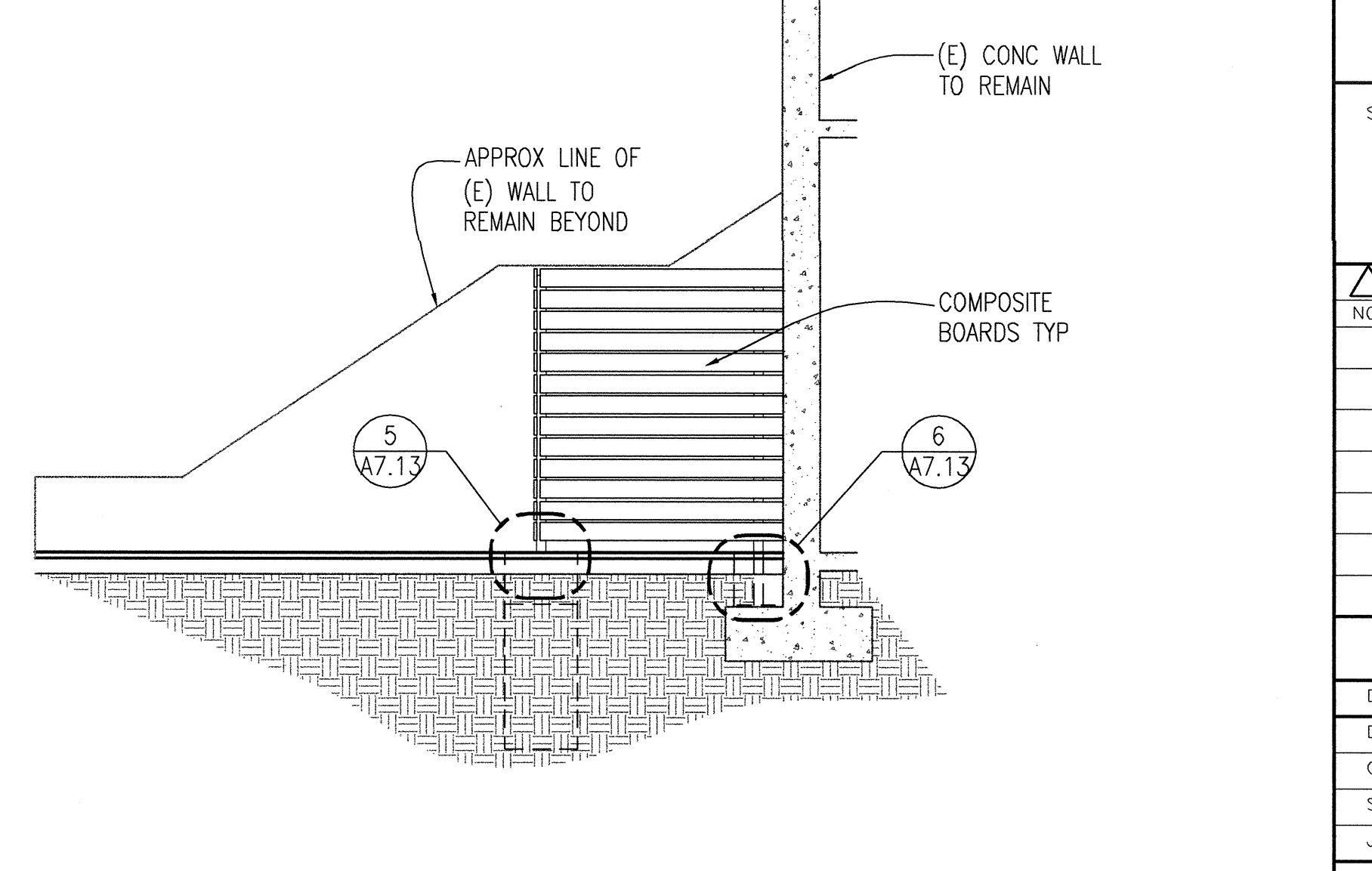
9 FLUID APPLIED ROOFING DETAIL
A3.21 3" = 1'-0"



8 SWITCH BASE DETAIL
A3.21 3" = 1'-0"



6 SCREEN GATE DETAIL AT LOCKING HARDWARE
A3.21 3" = 1'-0"



4 BLDG 16 - EXTERIOR ELEVATION
A3.21 1/4" = 1'-0"

IDENTIFICATION STAMP
DIVISION OF THE STATE ARCHITECT
APPLICATION NUMBER 01-111618
AC: [Signature] FS: [Signature] SE: [Signature] JB
DATE 2/19/11
CALIFORNIA STATE FIRE MARSHAL
APPROVED
APPROVAL OF THIS PLAN DOES NOT AUTHORIZE OR APPROVE ANY
DIMENSION OR DETAIL FROM ANY APPLICABLE REGULATORY FINAL
APPROVAL IS SUBJECT TO FIELD INSPECTION. ONE SET OF APPROVED
PLANS SHALL BE AVAILABLE ON THE PROJECT SITE AT ALL TIMES.
REVIEWED BY: _____ DATE: _____

CAÑADA COLLEGE
Electrical Infrastructure Replacement Project
4200 Farm Hill Blvd
Redwood City, CA 94061

REGISTERED ARCHITECT
CHRISTOPHER NOLL
REK 12/25/11
CITY OF BERKELEY
BID SET

SHEET TITLE
Bldg 16- Sections, Ext Elev

REVISIONS		
NO.	DATE	DESCRIPTION

DATE January 14, 2011
DRAWN TC/AL
CHECKED MM
SCALE 1/4" = 1'-0"
JOB NO. 2921.01
SHEET NUMBER
A3.21