

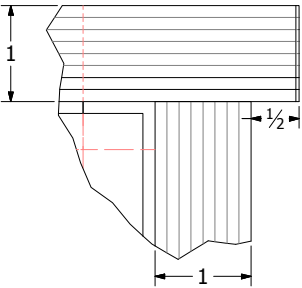
Furniture Standard Product Matrix**Design Standard**

Application	Product	General Finishes
Academic		
Student Computer Chairs	KI Torsion Armless, 5 Star Base	Black Poly, Black Frame
Student ADA Table	KI Genesis Crank Adjustable	Congo Spruce, Kensington Maple, Cherry Storm Laminates/ Black Trim
Student Computer Tables, Continuous	KI InTandem	Congo Spruce, Kensington Maple, Cherry Storm/ Black Trim
Student Computer Tables, Continuous Public Space	KI Connection Zone	Congo Spruce, Kensington Maple, Cherry Storm/ Black Trim
Student Computer Tables, Individual	KI Datalink Training, InTandem	Congo Spruce, Kensington Maple, Cherry Storm/ Black Trim
Student Tables	KI Datalink MP, Trek	Congo Spruce, Kensington Maple, Cherry Storm/ Black Trim
Instructor's Tables	KI Genesis Crank Adj, Datalink MP, Trek	Congo Spruce, Kensington Maple, Cherry Storm/ Black Trim
Student or Faculty Chairs	KI Torsion Armless, 4 Leg Base	Black Poly, Chrome Frame
Tablet Arm Chairs	KI Torsion w/Adjustable Tablet	Congo Spruce, Kensington Maple, Cherry Storm/ Black Trim
Traditional Student Desks	KI 360 Desk w/Torsion Shell	Congo Spruce, Kensington Maple, Cherry Storm Laminates/Black Poly/Starlight Silver Paint
Dynamic Student Desks	KI Learn2 w/Strive Shell	Congo Spruce, Kensington Maple, Cherry Storm Laminates/Black Poly/Starlight Silver Paint
Storage Units	KI 700 Series Storage	Kelly-Moore Bone, Black Finish
Instructors' Lectern	Woodtech Inc. SMCCCD Lectern Right, Left, or FreeStanding (See Attached)	TBD -- Based on Campus President's Selection
Instructor's Stools (Wet Environment)	KI Torsion Stool w/Arms	Black Poly, Black Base
Instructor's Stools (Dry Environment)	KI Torsion Stool w/Arms, Uph Seat	Black Poly, Black Base, Various Fabrics
Student Lab Stools (Wet or Dry Environment)	KI Torsion Stool w/Pressure Casters	Black Poly, Black Base
Administrative		
Office Desks, Workstation Desks (all)	KI Genesis Fixed and Electric Adj Height	Congo Spruce, Kensington Maple, Cherry Storm/ Black Finish
Office Desks, Workstation Desks (all)	KI Toggle Electric Adj Height	Congo Spruce, Kensington Maple, Cherry Storm/ Black Finish
Office Overhead Cabinets (all)	KI Balance	Congo Spruce, Kensington Maple, Cherry Storm/ Black Finish
Office Tackboards (Systems Product)	KI Wireworks	Various Fabrics
Staff Workstations (Panels only)	KI Wireworks	Various Fabrics/Black Frame
Storage Components	KI 700 Series Storage	Kelly-Moore Bone or Black
Office Meeting Tables	KI Datalink MP	Congo Spruce, Kensington Maple, Cherry Storm/ Black Finish
Short Term Users Task Seating	KI Impress OR KI Torsion 5 Star Base, Uph Seat	Various Fabrics/Black Frame
Long Term Users Task Seating	KI Impress Ultra OR KI Engage	Various Fabrics/Black Frame
Long Term Users Alternative Task Seating	Steelcase Think	Various Knit Fabrics/Black Frame
Guest Seating	KI Torsion Armless, 4 Leg Base	Black Poly/Chrome Base

Furniture Standard Product Matrix**Design Standard**

Application	Product	General Finishes
Staff Reception/Lounge Seating	KI , Cody, Perth, Hub	Various Fabrics/Cherry or Maple Woods
Occasional Tables	KI Flex Tables w/Lam Top, Wood Edge	Maple Laminate or Wood/Cherry Storm Laminate or Wood
Specialty and Common Areas		
Bookshelves	KI 700 Series Storage	Kelly-Moore Bone or Black
Monitor Arms	Humanscale	Silver
Adjunct Office Lockers	KI Connection Zone	Congo Spruce, Kensington Maple, Cherry Storm/ Black Finish
Conference Room Tables	KI Trek, KI Datalink MP	Congo Spruce, Kensington Maple, Cherry Storm/ Black Finish
Conference Room Seating	KI Torsion 5 Star Base, Uph Seat and Back	Various Fabrics/Black Trim
Dining or Break Room Tables	KI Trek	Congo Spruce, Kensington Maple, Cherry Storm/ Black Finish
Dining or Break Room Seating	KI Strive High Density, Torsion Poly 4 Leg	Flannel Poly / Champagne Metallic Paint
Student Lounge Seating	KI Teacup, Cody, Perth, Hub, Affina	Various Fabrics/Cherry or Maple Wood
Student Lounge Area Benches	KI Kurv	Various Fabrics/Cherry or Maple Wood/Chrome
Student Workstations	KI Wireworks, Unite	Various Fabrics/Black Trim
Student Benching Stations	KI Connection Zone	Congo Spruce, Kensington Maple, Cherry Storm/ Black Trim
Study Room Tables	KI Trek, Datalink MP	Congo Spruce, Kensington Maple, Cherry Storm/ Black Finish
Study Room Seating	KI Torsion 4 Leg, Torsion 5 Star Base	Black Poly/Chrome Base

NOTE: Furniture referenced above are for replacement of existing furniture. A/E to propose furniture design from District approved vendor for ALL refresh projects, bldg modernization projects and new building projects.



EXPOSED PLYWOOD EDGE

Note: Overall height shown does not include adjustable glides which adds an average height of 1/2".

For company O.C. use only

STG	<input type="checkbox"/>	<input type="checkbox"/>
ASY	<input type="checkbox"/>	<input type="checkbox"/>
FSH	<input type="checkbox"/>	<input type="checkbox"/>
F.I.	<input type="checkbox"/>	<input type="checkbox"/>

Observations:

woodtech

p(510)534.4930 f(510)534.6389
4611 malat st. oakland, ca, 94601

DATE: 12/12/2017 REV. DATE: FILE NAME: 2017-08-15_OptionC_FreS

GRAVITY FED CABLE TRAY
SATIN BLACK
POWDERCOAT FINISH.

3/4" THK. TOP IN:
PLAM: WILSONART
WHITE TIGRIS 4783-60

AXIL Z POWER UNIT IN:
GLOSSY BLACK FINISH WITH-
2 POWER, 1RJ-45 -
1 BLANK PLATE.

PODIUM - 3/4" THK. PANEL
PLAM: FORMICA 5488-58
SMOKEY BROWN-
MATTE FINISH.

HINGED DOOR.
PLAM: FORMICA
8845-58.
BLEACHED LEGNO
MATTE FINISH.
KEYED ALIKE.

PERFORATED ALUMINUM
SHEET METAL-
NATURAL.

PERFORATED ALUMINUM
SHEET METAL-
NATURAL.

PODIUM: 3/4" THK. PANEL
CONSTRUCTION IN:
PLAM: FORMICA 5488-58-
SMOKEY BROWN
MATTE FINISH.

HINGED DOOR.
PLAM: FORMICA-**8845-58.**
BLEACHED LEGNO -
MATTE FINISH.
KEYED ALIKE.

1B.- PERSPECTIVE VIEW

1A.- PERSPECTIVE VIEW

OPTION C

Tag: FREE STANDING PODIUM

DEALER: ONE WORKPLACE
CLIENT: SAN MATEO COUNTY COMMUNITY COLLEGE
CONTACT: CAITLIN ZYLSTRA
DRAWN BY: GN

JOB #: 081617J3
PO#: N/A
EDGE: PLYWOOD EXPOSED
SCALE: NOT TO SCALE

SERIES: PODIUM DESK
FINISH: PLYWOOD EXPOSED EDGE WITH: FORMICA: SMOKY BROWN & BLEACHED LEGNO || WILSONART: WHITE TIGRIS
WOODTECH can not be responsible for installation clearances in hall ways, elevators,
doors or stairs. **Product WILL BE MANUFACTURED in 2 pcs with sizes as drawn.**

QTY
1
UNIT (S)

BUILD AS SHOWN:

APPROVED BY: _____

For company O.C. use only

STG	<input type="checkbox"/>	<input type="checkbox"/>
ASY	<input type="checkbox"/>	<input type="checkbox"/>
FSH	<input type="checkbox"/>	<input type="checkbox"/>
F.I.	<input type="checkbox"/>	<input type="checkbox"/>

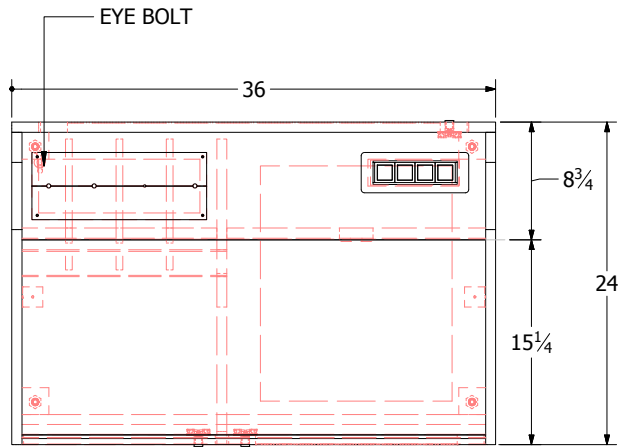
woodtech

p(510)534.4930 f(510)534.6389
4611 malat st. oakland, ca, 94601

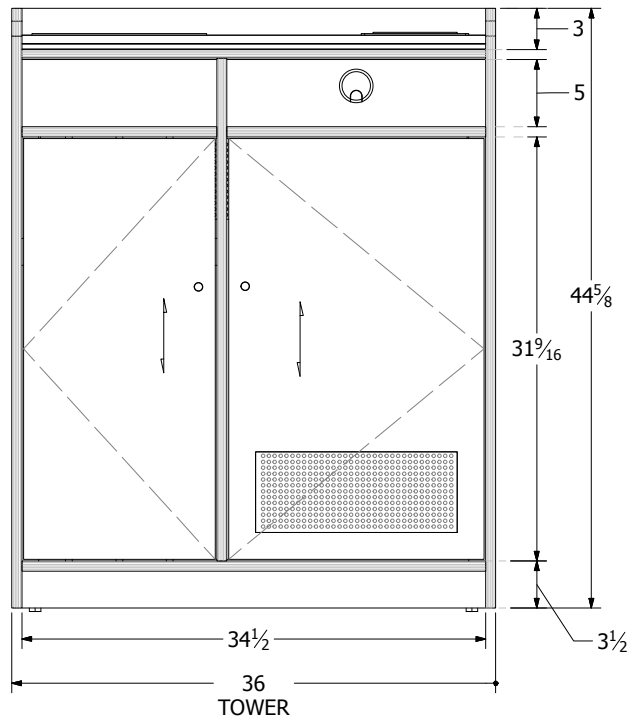
DATE: 12/12/2017 REV. DATE: FILE NAME: 2017-08-15_OptionC_FreeS

Observations:

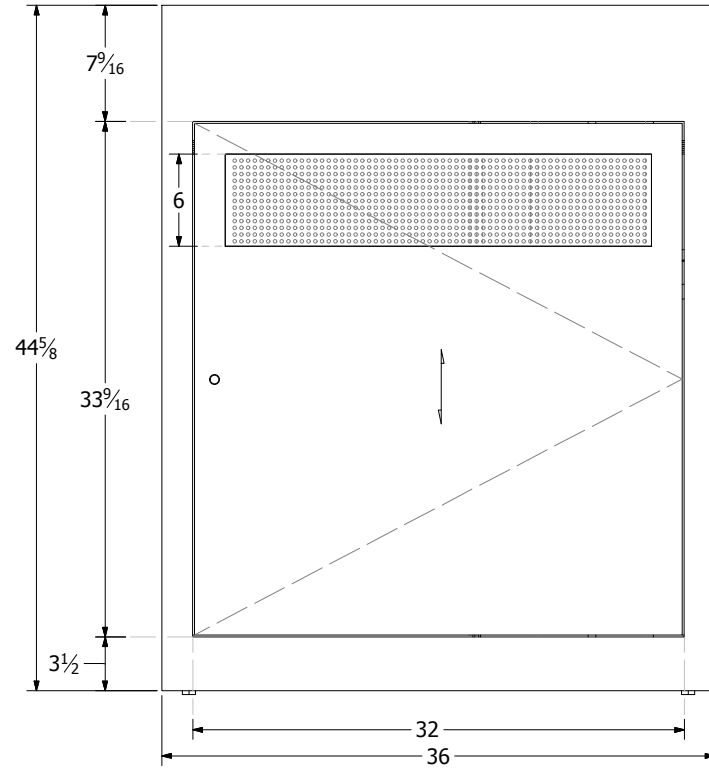
Note: Overall height shown does not include adjustable glides which adds an average height of $\frac{1}{2}$ ".



1C.- TOP VIEW



1D.- ELEVATION VIEW



1E.- ELEVATION VIEW "D-D"

OPTION C

Tag: FREE STANDING PODIUM

DEALER: ONE WORKPLACE
CLIENT: SAN MATEO COUNTY COMMUNITY COLLEGE
CONTACT: CAITLIN ZYLSTRA
DRAWN BY: GN

JOB #: 081617J3
PO#: N/A
EDGE: PLYWOOD EXPOSED
SCALE: NOT TO SCALE

SERIES: PODIUM DESK
FINISH: PLYWOOD EXPOSED EDGE WITH: FORMICA: SMOKY BROWN & BLEACHED LEGNO || WILSONART: WHITE TIGRIS
WOODTECH can not be responsible for installation clearances in hall ways, elevators, doors or stairs. **Product WILL BE MANUFACTURED in 2 pcs with sizes as drawn.**

QTY
UNIT (S)
1

BUILD AS SHOWN:

APPROVED BY: _____

For company O.C. use only

STG		
ASY		
FSH		
F.I.		

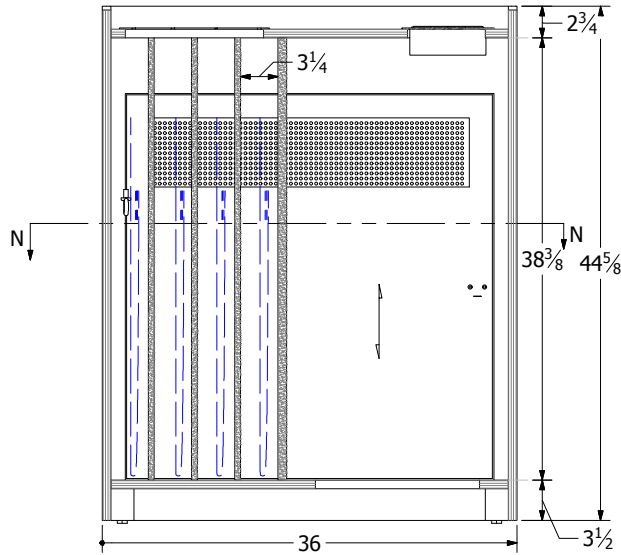
woodtech

p(510)534.4930 f(510)534.6389
4611 malat st. oakland, ca, 94601

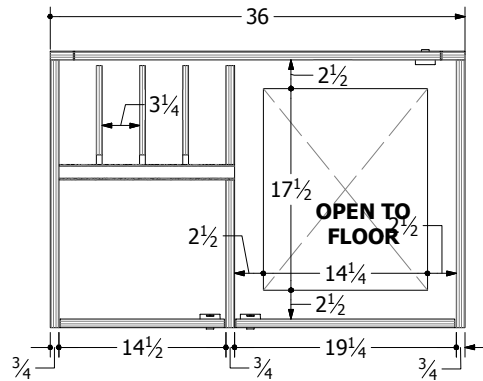
DATE: 12/12/2017 REV. DATE: FILE NAME: 2017-08-15_OptionC_FreeS

Observations:

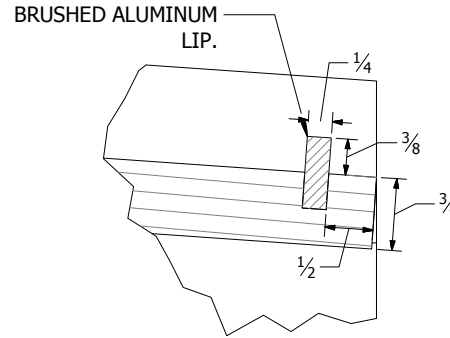
Note: Overall height shown does not include adjustable glides which adds an average height of $\frac{1}{2}$ ".



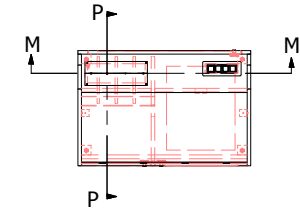
1G.- SECTION VIEW "M-M"



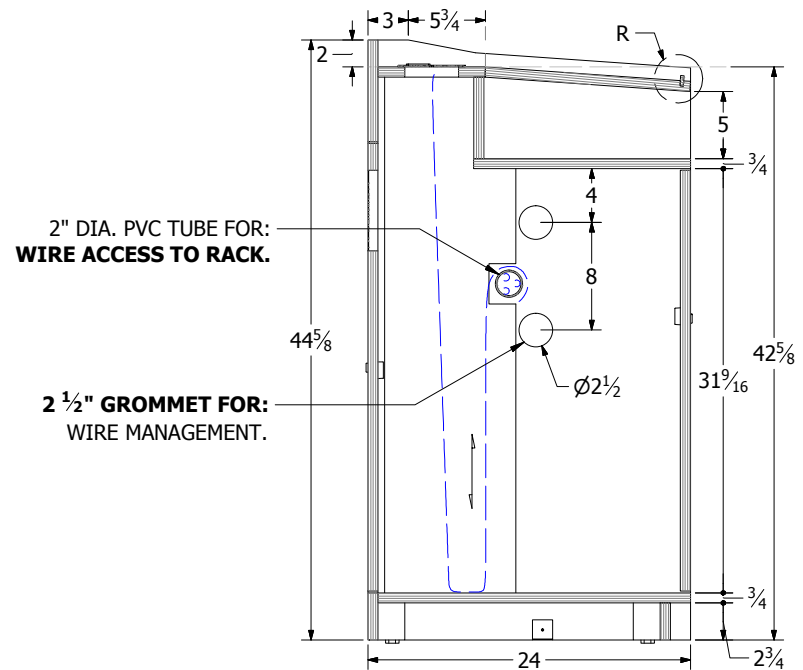
1H.- SECTION VIEW "N-N"



**PENCIL LIP
DETAIL "R"**



REFERENCE TOP VIEW



1I.- SECTION P-P

OPTION C

Tag: FREE STANDING PODIUM

DEALER: ONE WORKPLACE
CLIENT: SAN MATEO COUNTY COMMUNITY COLLEGE
CONTACT: CAITLIN ZYLSTRA
DRAWN BY: GN

JOB #: 081617J3
PO#: N/A
EDGE: PLYWOOD EXPOSED
SCALE: NOT TO SCALE

SERIES: PODIUM DESK
FINISH: PLYWOOD EXPOSED EDGE WITH: FORMICA: SMOKY BROWN & BLEACHED LEGNO || WILSONART: WHITE TIGRIS
WOODTECH can not be responsible for installation clearances in hall ways, elevators, doors or stairs. **Product WILL BE MANUFACTURED in 2 pcs with sizes as drawn.**

QTY
1 UNIT (S)

BUILD AS SHOWN:

APPROVED BY: _____

For company O.C. use only

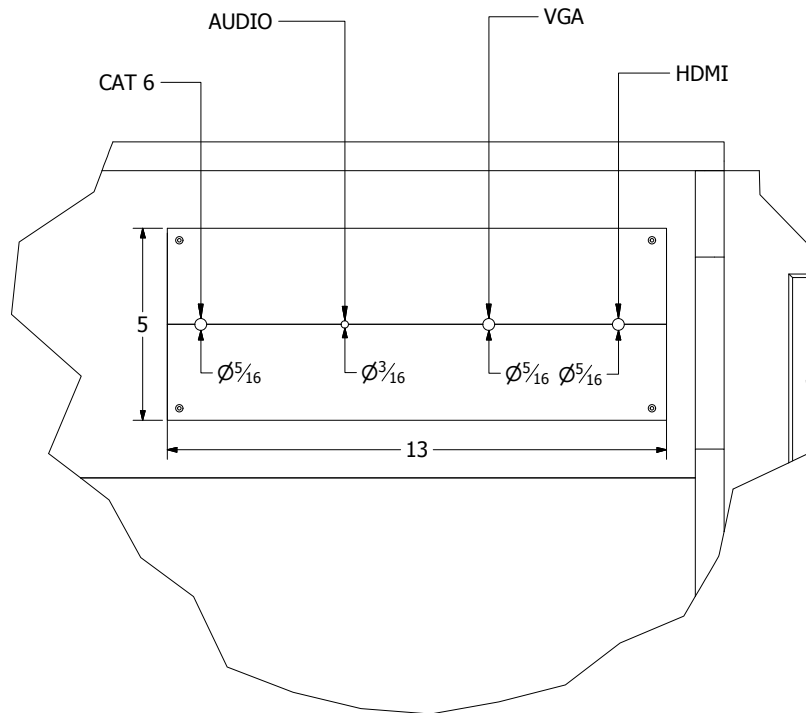
STG
ASY
FSH
F.I.

woodtech

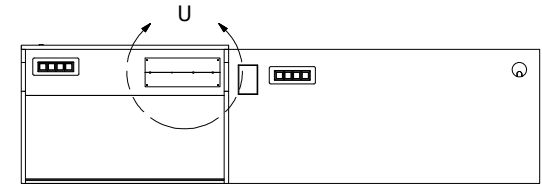
p(510)534.4930 f(510)534.6389
4611 malat st. oakland, ca, 94601

DATE: 12/12/2017 REV. DATE: FILE NAME: 2017-08-15_OptionC_FreeS

Observations:



**GRAVITY FED CABLE PLATE
DETAIL "U"**



TOP VIEW REFERENCE

OPTION C

Tag: FREE STANDING PODIUM

DEALER: ONE WORKPLACE
CLIENT: SAN MATEO COUNTY COMMUNITY COLLEGE
CONTACT: CAITLIN ZYLSTRA
DRAWN BY: GN

JOB #: 081617J3
PO#: N/A
EDGE: PLYWOOD EXPOSED
SCALE: NOT TO SCALE

SERIES: PODIUM DESK
FINISH: PLYWOOD EXPOSED EDGE WITH: FORMICA: SMOKY BROWN & BLEACHED LEGNO || WILSONART: WHITE TIGRIS
WOODTECH can not be responsible for installation clearances in hall ways, elevators, doors or stairs. **Product WILL BE MANUFACTURED in 2 pcs with sizes as drawn.**

1 QTY
UNIT (S)

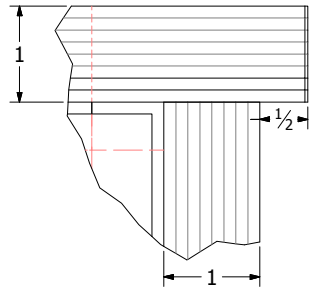
BUILD AS SHOWN:

APPROVED BY: _____

STG	<input type="checkbox"/>	<input type="checkbox"/>
ASY	<input type="checkbox"/>	<input type="checkbox"/>
FSH	<input type="checkbox"/>	<input type="checkbox"/>
F.I.	<input type="checkbox"/>	<input type="checkbox"/>

Observations:

Note: Overall height shown does not include adjustable glides which adds an average height of 1/2".



EXPOSED PLYWOOD EDGE

3/4" THK. TOP IN:
PLAM: WILSONART
WHITE TIGRIS 4783-60

STANDARD 2 1/2"
BLACK PASTIC
GROMMET.

GRAVITY FED CABLE TRAY
SATIN BLACK
POWDERCOAT FINISH.

1" THK. TOP IN:
PLAM: WILSONART
WHITE TIGRIS 4783-60
MATTE FINISH.

AXIL Z POWER UNIT IN:
GLOSSY BLACK FINISH WITH-
2 POWER, 1RJ-45 -
1 BLANK PLATE.

BOX - FILE PEDESTAL IN:
PLAM: FORMICA-8845-58.
BLEACHED LEGNO
MATTE FINISH.
• **SIDE FINGER PULL.**

PODIUM - 3/4" THK. PANEL
PLAM: **FORMICA 5488-58**
SMOKEY BROWN-
MATTE FINISH.

CUT-OUT FOR:
1 GANG ELECTRICAL
BOX.

AXIL Z POWER UNIT IN:
GLOSSY BLACK FINISH WITH-
2 POWER, 1RJ-45 -
1 BLANK PLATE.

OVERLAY PANEL IN:
PLAM: **FORMICA 5488-58**
SMOKEY BROWN-MATTE FINISH.

PODIUM: 3/4" THK. PANEL
CONSTRUCTION IN:
PLAM: **FORMICA 5488-58-**
SMOKEY BROWN
MATTE FINISH.

PERFORATED ALUMINUM
SHEET METAL-
NATURAL.

HINGED DOOR.
PLAM: FORMICA
8845-58.

BLEACHED LEGNO
MATTE FINISH.
• **KEYED ALIKE.**

1A.- PERSPECTIVE VIEW

DESK - 1" THK. PANEL
PLAM: **FORMICA 5488-58**
SMOKEY BROWN-
MATTE FINISH.

1B.- PERSPECTIVE VIEW

HINGED DOOR.
PLAM: FORMICA-8845-58.
BLEACHED LEGNO -
MATTE FINISH.
KEYED ALIKE.

3/4" THK. MODESTY PANEL IN:
PLAM: FORMICA-8845-58.
BLEACHED LEGNO -
MATTE FINISH.
6" CLEARANCE FROM FLOOR.

OPTION C

Tag: LEFT TEACHING STATION

DEALER: ONE WORKPLACE
CLIENT: SAN MATEO COUNTY COMMUNITY COLLEGE
CONTACT: CAITLIN ZYLSTRA
DRAWN BY: GN

JOB #: 081617J3
PO#: N/A
EDGE: PLYWOOD EXPOSED
SCALE: NOT TO SCALE

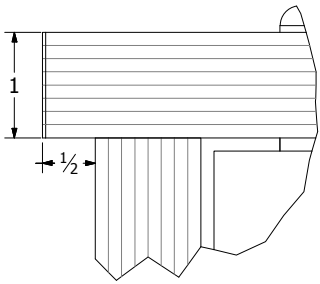
SERIES: PODIUM DESK
FINISH: PLYWOOD EXPOSED EDGE WITH: FORMICA: SMOKY BROWN & BLEACHED LEGNO || WILSONART: WHITE TIGRIS
WOODTECH can not be responsible for installation clearances in hall ways, elevators,
doors or stairs. **Product WILL BE MANUFACTURED in 2 pcs with sizes as drawn.**

QTY
UNIT (S)

1

BUILD AS SHOWN:

APPROVED BY:



Note: Overall height shown does not include adjustable glides which adds an average height of $\frac{1}{2}$ ".

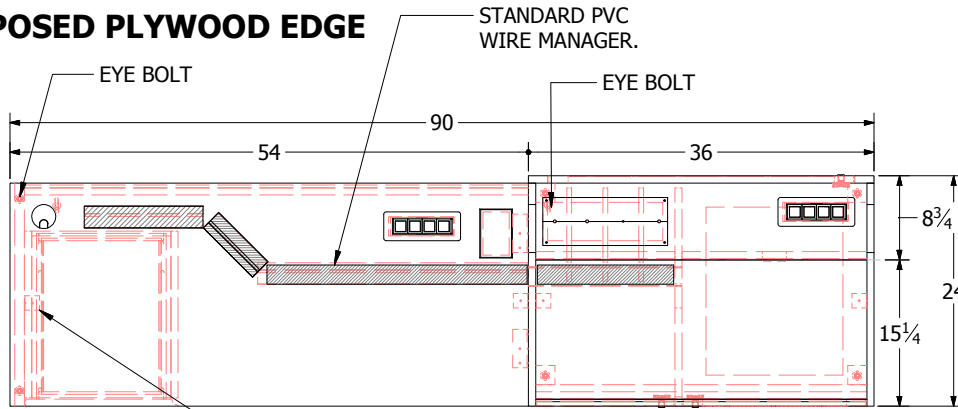
For company O.C. use only
 STG
 ASY
 FSH
 F.I.
 Observations:

woodtech

p(510)534.4930 f(510)534.6389
 4611 malat st. oakland, ca, 94601

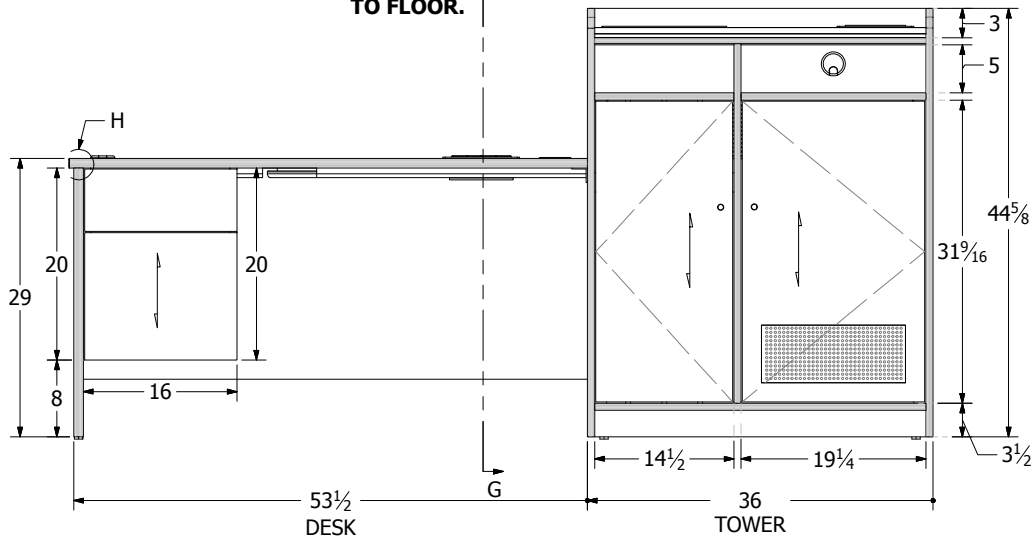
DATE: 12/12/2017 REV. DATE: FILE NAME: 2017-08-15_OptionC_Left_S

EXPOSED PLYWOOD EDGE

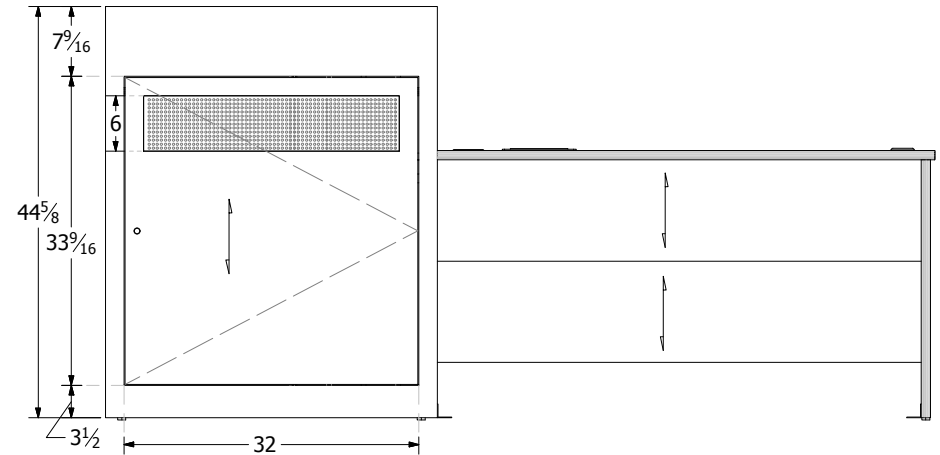


1C.- TOP VIEW

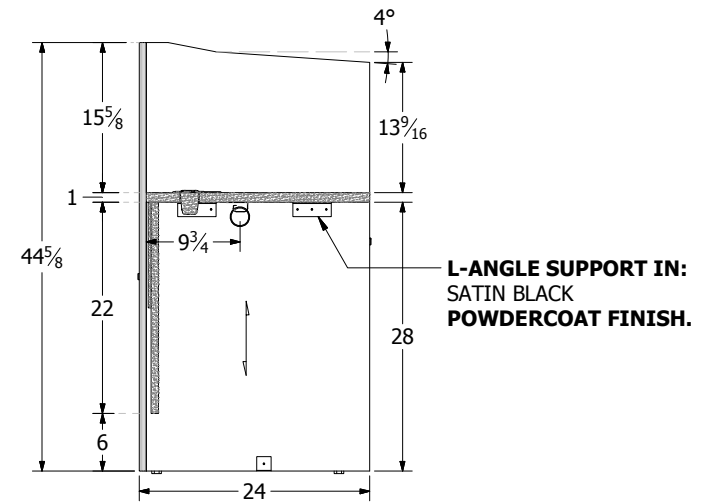
L-ANGLE SUPPORT IN:
 SATIN BLACK
 POWDERCOAT FINISH.
 TO ANCHOR DESK
 TO FLOOR.



1D.- ELEVATION VIEW



1E.- ELEVATION VIEW "D-D"



1F.- SECTION "G-G"

OPTION C

Tag: LEFT TEACHING STATION

DEALER: ONE WORKPLACE
 CLIENT: SAN MATEO COUNTY COMMUNITY COLLEGE
 CONTACT: CAITLIN ZYLSTRA
 DRAWN BY: GN

JOB #: 081617J3
 PO#: N/A
 EDGE: PLYWOOD EXPOSED
 SCALE: NOT TO SCALE

SERIES: PODIUM DESK
 FINISH: PLYWOOD EXPOSED WITH: FORMICA: SMOKY BROWN & BLEACHED LEGNO || WILSONART: WHITE TIGRIS
 WOODTECH can not be responsible for installation clearances in hall ways, elevators, doors or stairs. **Product WILL BE MANUFACTURED in 2 pcs with sizes as drawn.**

QTY
1 UNIT (S)

BUILD AS SHOWN:

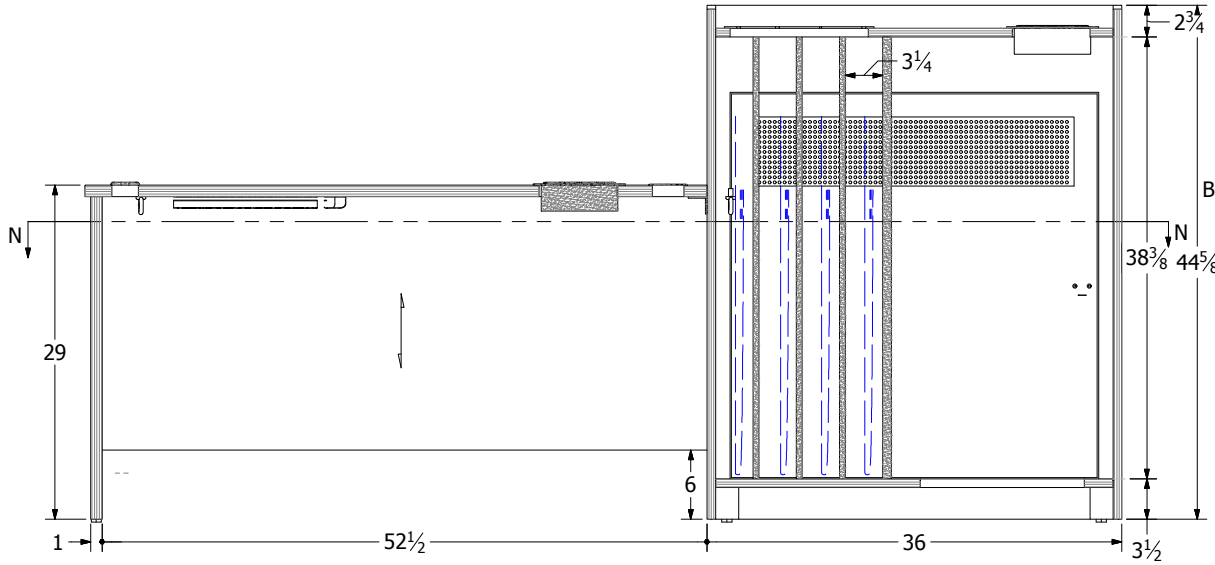
APPROVED BY:

For company O.C. use only
 STG
 ASY
 FSH
 F.I.
 Observations:

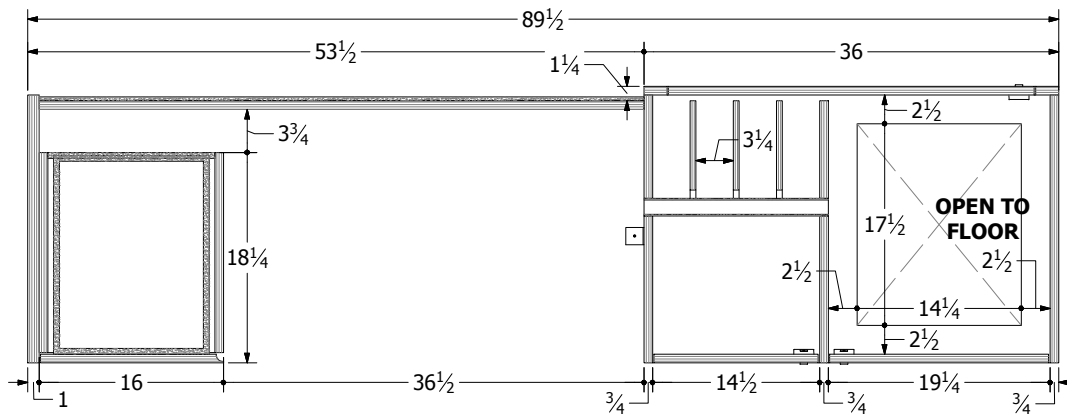
woodtech
 p(510)534.4930 f(510)534.6389
 4611 malat st. oakland, ca, 94601

DATE: 12/12/2017 REV. DATE: FILE NAME: 2017-08-15_OptionC_Left_S

Note: Overall height shown does not include adjustable glides which adds an average height of $\frac{1}{2}$ ".

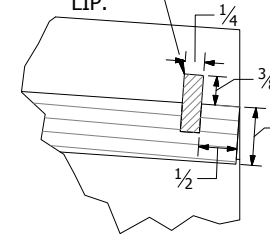


1G.- SECTION VIEW "M-M"



1H.- SECTION VIEW "N-N"

BRUSHED ALUMINUM LIP.

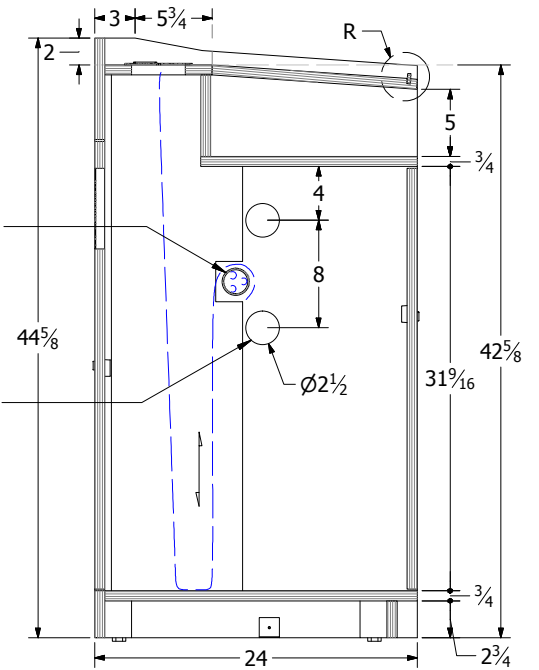


REFERENCE TOP VIEW

PENCIL LIP DETAIL "R"

2" DIA. PVC TUBE FOR: WIRE ACCESS TO RACK.

2 1/2" GROMMET FOR: WIRE MANAGEMENT.



1I.- SECTION P-P

OPTION C

Tag: LEFT TEACHING STATION

DEALER: ONE WORKPLACE
 CLIENT: SAN MATEO COUNTY COMMUNITY COLLEGE
 CONTACT: CAITLIN ZYLSTRA
 DRAWN BY: GN

JOB #: 081617J3
 PO#: N/A
 EDGE: PLYWOOD EXPOSED
 SCALE: NOT TO SCALE

SERIES: PODIUM DESK
 FINISH: PLYWOOD EXPOSED EDGE WITH: FORMICA: SMOKY BROWN & BLEACHED LEGNO || WILSONART: WHITE TIGRIS
 WOODTECH can not be responsible for installation clearances in hall ways, elevators, doors or stairs. **Product WILL BE MANUFACTURED in 2 pcs with sizes as drawn.**

QTY
1 UNIT (S)

BUILD AS SHOWN:

APPROVED BY:

For company O.C. use only

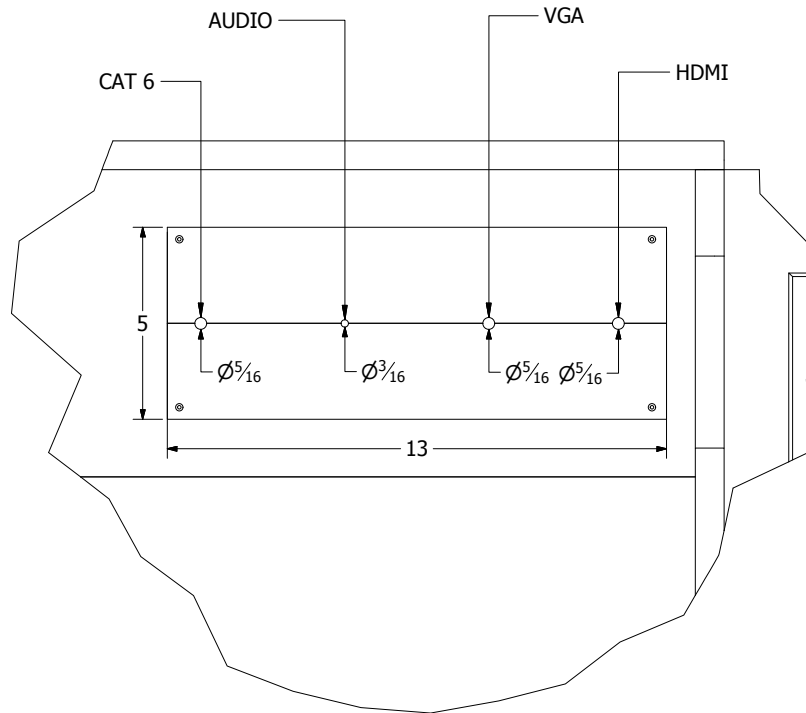
STG
ASY
FSH
F.I.

woodtech

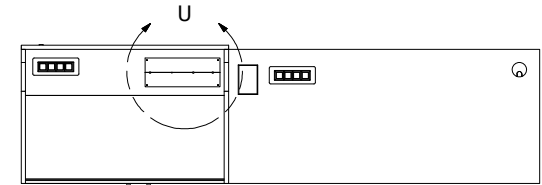
p(510)534.4930 f(510)534.6389
4611 malat st. oakland, ca, 94601

DATE: 12/12/2017 REV. DATE: FILE NAME: 2017-08-15_OptionC_Left_S

Observations:



GRAVITY FED CABLE PLATE
DETAIL "U"



TOP VIEW REFERENCE

OPTION C

Tag: LEFT TEACHING STATION

DEALER: ONE WORKPLACE
CLIENT: SAN MATEO COUNTY COMMUNITY COLLEGE
CONTACT: CAITLIN ZYLSTRA
DRAWN BY: GN

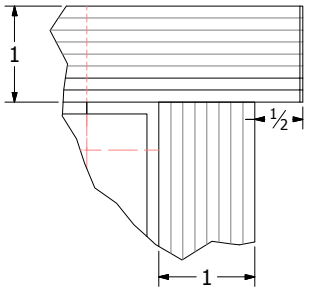
JOB #: 081617J3
PO#: N/A
EDGE: PLYWOOD EXPOSED
SCALE: NOT TO SCALE

SERIES: PODIUM DESK
FINISH: PLYWOOD EXPOSED EDGE WITH: FORMICA: SMOKY BROWN & BLEACHED LEGNO || WILSONART: WHITE TIGRIS
WOODTECH can not be responsible for installation clearances in hall ways, elevators, doors or stairs. **Product WILL BE MANUFACTURED in 2 pcs with sizes as drawn.**

1 QTY
UNIT (S)

BUILD AS SHOWN:

APPROVED BY: _____



**EXPOSED PLYWOOD
EDGE**

Note: Overall height shown does not include adjustable glides which adds an average height of $\frac{1}{2}$ ".

For company O.C. use only

STG	<input type="checkbox"/>	<input type="checkbox"/>
ASY	<input type="checkbox"/>	<input type="checkbox"/>
FSH	<input type="checkbox"/>	<input type="checkbox"/>
F.I.	<input type="checkbox"/>	<input type="checkbox"/>

Observations:

woodtech

p(510)534.4930 f(510)534.6389
4611 malat st. oakland, ca, 94601

DATE: 12/12/2017 REV. DATE: FILE NAME: 2017-08-15_OptionC_Right

AXIL Z POWER UNIT IN:
GLOSSY BLACK FINISH WITH -
2 POWER, 1 RJ-45 - 1 Blank Plate.
3/4" THK. TOP IN:
PLAM: WILSONART
WHITE TIGRIS 4783-60

GRAVITY FED CABLE TRAY
**SATIN BLACK
POWDERCOAT FINISH.**

CUT-OUT FOR:
**1 GANG ELECTRICAL
BOX.**

AXIL Z POWER UNIT IN:
GLOSSY BLACK FINISH WITH -
2 POWER, 1 RJ-45 - 1 Blank Plate.

1" THK. TOP IN:
PLAM: WILSONART
**WHITE TIGRIS 4783-60
MATTE FINISH.**

**STANDARD 2 1/2"
BLACK PLASTIC
GROMMET.**

HINGED DOOR.
PLAM: FORMICA
**8845-58.
BLEACHED LEGNO
MATTE FINISH.**
• **KEYED ALIKE.**

**PERFORATED ALUMINUM
SHEET METAL-NATURAL FINISH.**

PODIUM - 3/4" THK. PANEL
PLAM: FORMICA 5488-58
SMOKEY BROWN-
MATTE FINISH.

BOX - FILE PEDESTAL IN:
PLAM: FORMICA-8845-58.
**BLEACHED LEGNO
MATTE FINISH.**
• **SIDE FINGER PULL.**

DESK - 1" THK. PANEL
PLAM: FORMICA 5488-58
SMOKEY BROWN-
MATTE FINISH.

1A.- PERSPECTIVE VIEW

**PERFORATED ALUMINUM
SHEET METAL-NATURAL FINISH.**

PODIUM: 3/4" THK. PANEL CONSTRUCTION IN:
PLAM: FORMICA 5488-58-SMOKEY BROWN
MATTE FINISH.

HINGED DOOR.
PLAM: FORMICA-8845-58.
BLEACHED LEGNO - MATTE FINISH.
KEYED ALIKE.

OPTION C

Tag: RIGHT TEACHING STATION

OVERLAY PANEL IN:
PLAM: FORMICA 5488-58
SMOKEY BROWN-MATTE FINISH.

3/4" THK. MODESTY PANEL IN:
PLAM: FORMICA-8845-58.
**BLEACHED LEGNO -
MATTE FINISH.**
6" CLEARANCE FROM FLOOR.

1B.- PERSPECTIVE VIEW

DEALER: ONE WORKPLACE
CLIENT: SAN MATEO COUNTY COMMUNITY COLLEGE
CONTACT: CAITLIN ZYLSTRA
DRAWN BY: GN

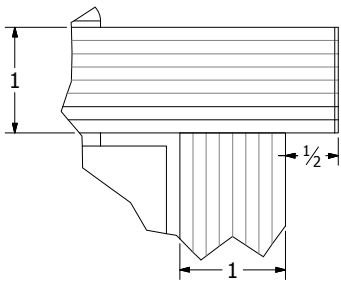
JOB #: 081617J3
PO#: N/A
EDGE: PLYWOOD EXPOSED
SCALE: NOT TO SCALE

SERIES: PODIUM DESK
FINISH: PLYWOOD EXPOSED EDGE WITH: FORMICA: SMOKEY BROWN & BLEACHED LEGNO || WILSONART: WHITE TIGRIS
WOODTECH can not be responsible for installation clearances in hall ways, elevators,
doors or stairs. **Product WILL BE MANUFACTURED in 2 pcs with sizes as drawn.**

QTY
1
UNIT (S)

BUILD AS SHOWN:

APPROVED BY:



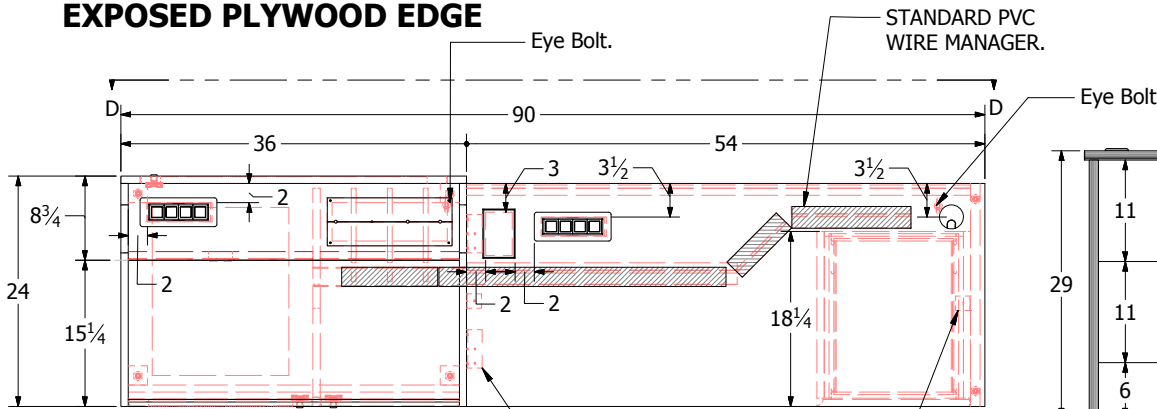
EXPOSED PLYWOOD EDGE

Note: Overall height shown **does not** include adjustable glides which adds an average height of $\frac{1}{2}$ ".

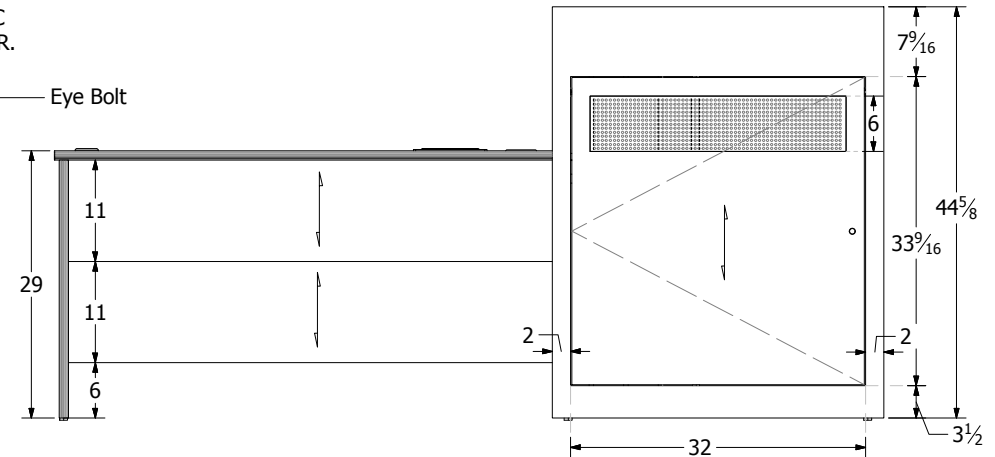
For company O.C. use only
 STG
 ASY
 FSH
 F.I.
 Observations:

woodtech
 p(510)534.4930 f(510)534.6389
 4611 malat st. oakland, ca, 94601

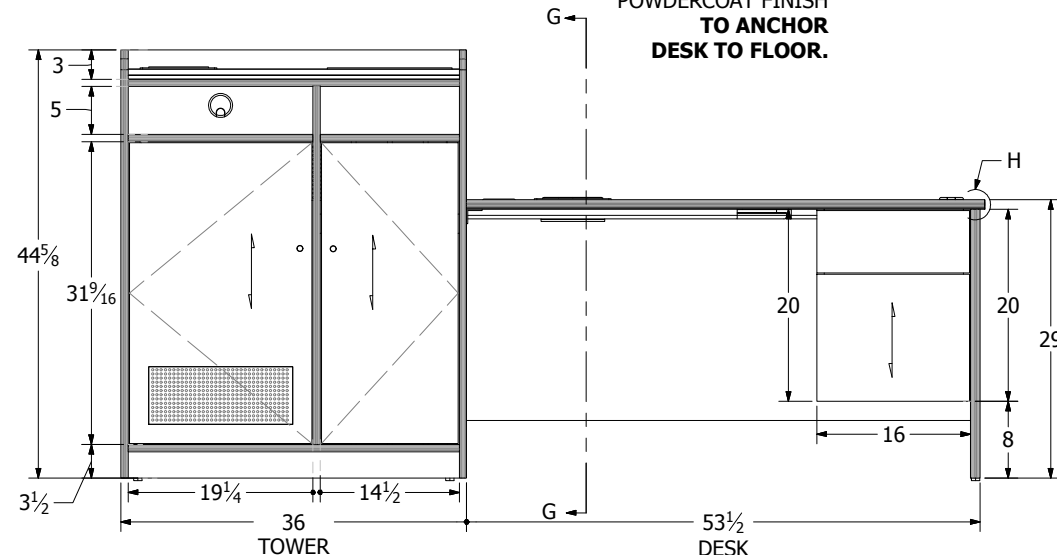
DATE: 12/12/2017 REV. DATE: FILE NAME: 2017-08-15_OptionC_Right



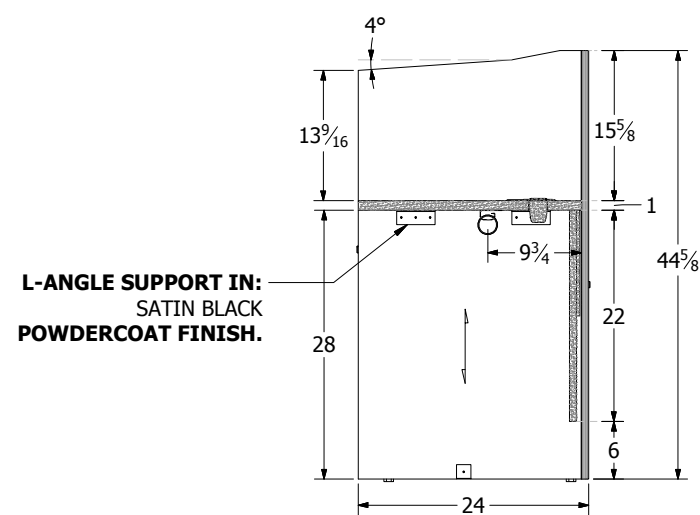
1C.- TOP VIEW



1E.- ELEVATION VIEW "D-D"



1D.- ELEVATION VIEW



1F.- SECTION VIEW "G-G" OPTION C

Tag: RIGHT TEACHING STATION

DEALER: ONE WORKPLACE
 CLIENT: SAN MATEO COUNTY COMMUNITY COLLEGE
 CONTACT: CAITLIN ZYLSTRA
 DRAWN BY: GN

JOB #: 081617J3
 PO#: N/A
 SCALE: NOT TO SCALE

SERIES: PODIUM DESK
 FINISH: PLYWOOD EXPOSED EDGE WITH: FORMICA: SMOKY BROWN & BLEACHED LEGNO || WILSONART: WHITE TIGRIS
 EDGE: PLYWOOD EXPOSED
 woodtech can not be responsible for installation clearances in hall ways, elevators, doors or stairs. **Product WILL BE MANUFACTURED in 2 pcs with sizes as drawn.**

QTY
1 UNIT (S)

BUILD AS SHOWN:

APPROVED BY: _____

For company O.C. use only

STG		
ASY		
FSH		
F.I.		

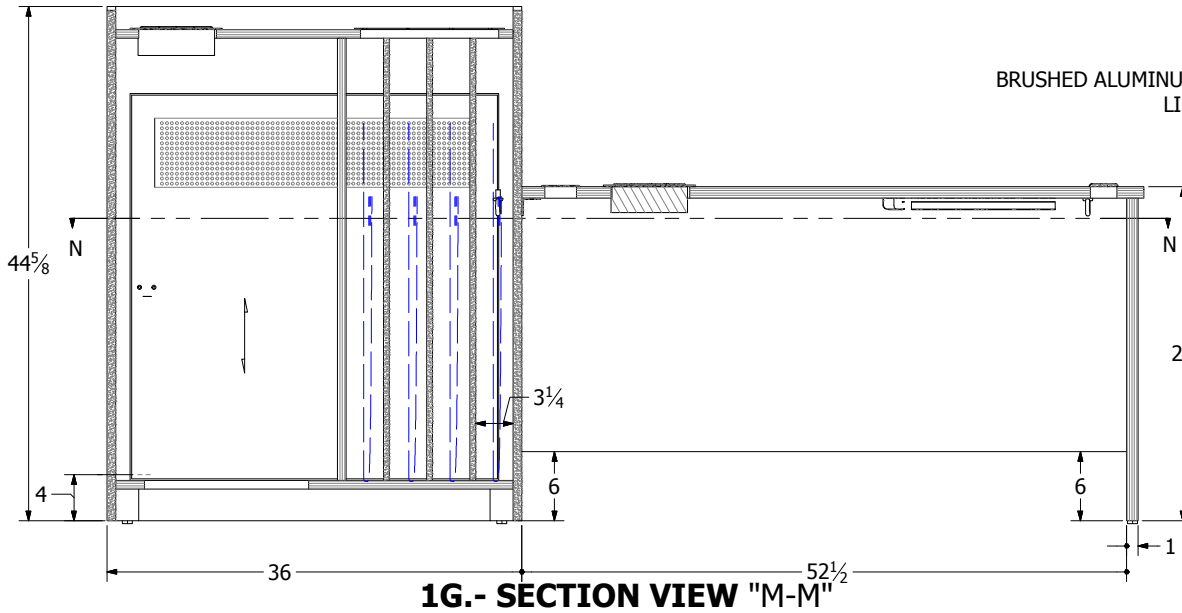
woodtech

p(510)534.4930 f(510)534.6389
4611 malat st. oakland, ca, 94601

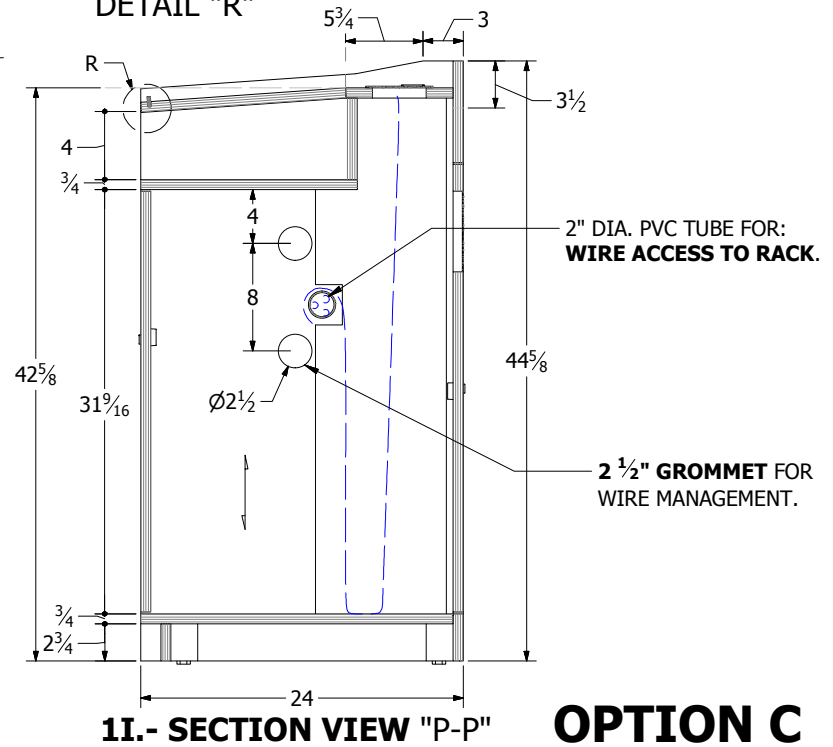
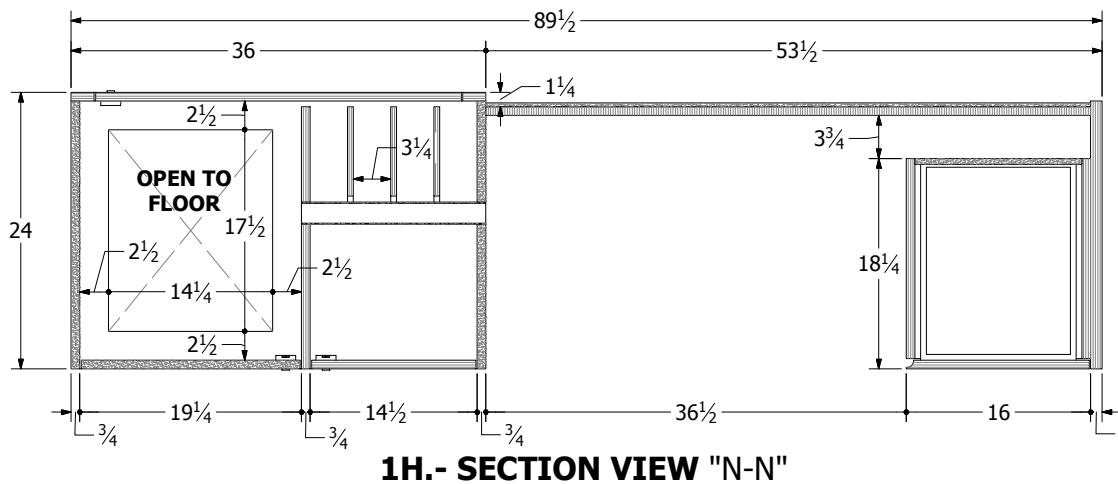
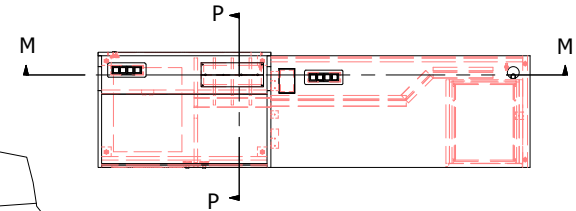
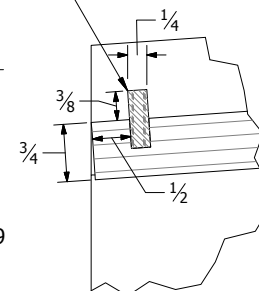
DATE: 12/12/2017 REV. DATE: FILE NAME: 2017-08-15_OptionC_Right

Observations:

Note: Overall height shown does not include adjustable glides which adds an average height of 1/2".



BRUSHED ALUMINUM LIP.



DEALER: ONE WORKPLACE
CLIENT: SAN MATEO COUNTY COMMUNITY COLLEGE
CONTACT: CAITLIN ZYLSTRA
DRAWN BY: GN

JOB #: 081617J3
PO#: N/A
EDGE: PLYWOOD EXPOSED
SCALE: NOT TO SCALE

SERIES: PODIUM DESK
FINISH: PLYWOOD EXPOSED EDGE WITH: FORMICA: SMOKY BROWN & BLEACHED LEGNO || WILSONART: WHITE TIGRIS
WOODTECH can not be responsible for installation clearances in hall ways, elevators, doors or stairs. **Product WILL BE MANUFACTURED in 2 pcs with sizes as drawn.**

QTY
1 UNIT (S)

BUILD AS SHOWN:

APPROVED BY: _____

For company O.C. use only

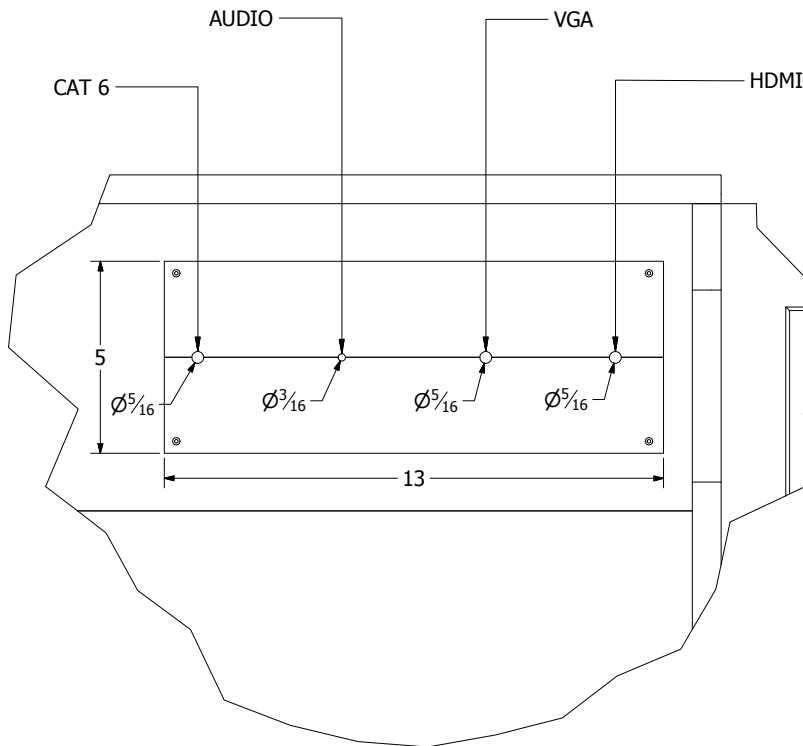
STG
ASY
FSH
F.I.

woodtech

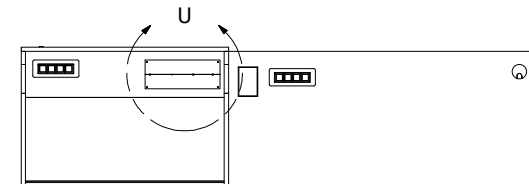
p(510)534.4930 f(510)534.6389
4611 malat st. oakland, ca, 94601

DATE: 12/12/2017 REV. DATE: FILE NAME: 2017-08-15_OptionC_Right

Observations:



GRAVITY FED CABLE PLATE
DETAIL "U"



TOP VIEW REFERENCE

OPTION C

Tag: RIGHT TEACHING STATION

DEALER: ONE WORKPLACE
CLIENT: SAN MATEO COUNTY COMMUNITY COLLEGE
CONTACT: CAITLIN ZYLSTRA
DRAWN BY: GN

JOB #: 081617J3
PO#: N/A
EDGE: PLYWOOD EXPOSED
SCALE: NOT TO SCALE

SERIES: PODIUM DESK
FINISH: PLYWOOD EXPOSED EDGE WITH: FORMICA: SMOKY BROWN & BLEACHED LEGNO || WILSONART: WHITE TIGRIS
WOODTECH can not be responsible for installation clearances in hall ways, elevators, doors or stairs. **Product WILL BE MANUFACTURED in 2 pcs with sizes as drawn.**

1 QTY
UNIT (S)

BUILD AS SHOWN:

APPROVED BY: _____